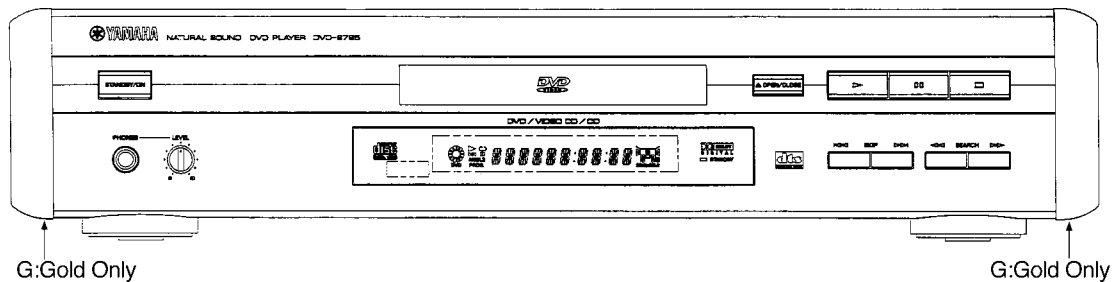
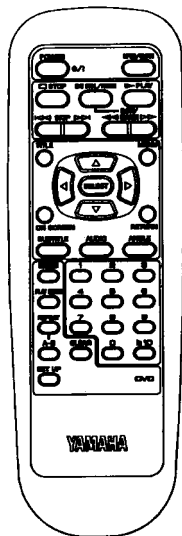


# DVD PLAYER

# DVD-S795/S705

## SERVICE MANUAL



### IMPORTANT NOTICE

This manual has been provided for the use of authorized YAMAHA Retailers and their service personnel. It has been assumed that basic service procedures inherent to the industry, and more specifically YAMAHA Products, are already known and understood by the users, and have therefore not been restated.

**WARNING:** Failure to follow appropriate service and safety procedures when servicing this product may result in personal injury, destruction of expensive components and failure of the product to perform as specified. For these reasons, we advise all YAMAHA product owners that any service required should be performed by an authorized YAMAHA Retailer or the appointed service representative.

**IMPORTANT:** The presentation or sale of this manual to any individual or firm does not constitute authorization, certification or recognition of any applicable technical capabilities, or establish a principle-agent relationship of any form.

The data provided is believed to be accurate and applicable to the unit(s) indicated on the cover. The research, engineering, and service departments of YAMAHA are continually striving to improve YAMAHA products. Modifications are, therefore, inevitable and specifications are subject to change without notice or obligation to retrofit. Should any discrepancy appear to exist, please contact the distributor's Service Division.

**WARNING:** Static discharges can destroy expensive components. Discharge any static electricity your body may have accumulated by grounding yourself to the ground buss in the unit (heavy gauge black wires connect to this buss.)

**IMPORTANT:** Turn the unit OFF during disassembly and parts replacement. Recheck all work before you apply power to the unit.



# CONTENTS

## SECTION 1

SPECIFICATIONS .....	1-1
LOCALE MANAGEMENT INFORMATION .....	1-1
TO SERVICE PERSONNEL .....	1-2
PREVENTION OF ESD TO ES DEVICES .....	1-3
PRECAUTION OF LASER DIODE .....	1-4
HANDLING PRECAUTIONS FOR TRAVERSE DECK .....	1-4
REAR PANELS .....	1-5
OPTICAL PICKUP SELF-DIAGNOSIS AND REPLACEMENT PROCEDURE ....	1-6
SELF-DIAGNOSIS FUNCTION AND SERVICE MODE .....	1-7
SERVICE PRECAUTIONS .....	1-9
SERVICE TOOLS AND EQUIPMENT .....	1-9
OPERATING INSTRUCTIONS .....	1-10

## SECTION 2

### ASSEMBLING AND DISASSEMBLING THE CASING AND CHECKING

#### C. B. A.s

1. Disassembly Procedure .....	2-1
2. Casing Parts and C.B.A. Positions .....	2-2
3. Service Positions .....	2-2
4. Disassembling the Top Cover .....	2-3
5. Disassembling the Tray .....	2-3
6. Disassembling the Front Panel .....	2-3
7. Disassembling the Loading Base Unit .....	2-3
8. Checking the Module C.B.A. ....	2-4
9. Disassembling the Rear Panel .....	2-4
10. Checking the Power Supply C.B.A. ....	2-5
11. Checking the Mother C.B.A. ....	2-5
12. Checking the Power Switch C.B.A. ....	2-5
13. Checking the Front Switch C.B.A. ....	2-5
14. Checking the Headphone C.B.A. ....	2-5

### ASSEMBLING AND DISASSEMBLING THE OPTICAL PICKUP

1. Handling the Optical Pickup .....	2-6
2. Disassembly Procedure .....	2-6
3. Lubricating the Loading Base Unit .....	2-7
4. Static Electricity Countermeasures .....	2-8
5. Disassembling the Clamp Base Unit .....	2-9
6. Disassembling the Clamp Weight, Clamper Yoke, Magnet and Clamper .....	2-9
7. Disassembling the Traverse Unit .....	2-9
8. Disassembling the Stepping Motor Unit .....	2-10
9. Disassembling the Optical Pickup Unit .....	2-10
10. Disassembling the Nut Unit .....	2-11
11. Disassembling the Sub-Shaft Preload Spring .....	2-11
12. Assembling the Optical Pickup .....	2-11
13. Disassembling the Spindle Motor Unit .....	2-12
14. Optical Pickup Tilt Adjustment .....	2-13
15. Disassembling the Intermediate Chassis .....	2-15
16. Disassembling the Vertical Cam and Drive Gear .....	2-15
17. Disassembling the Pulley Gear and Deceleration Gear ....	2-15
18. Disassembling the Mechanism Loading C.B.A. ....	2-15
19. Lubricating the Optical Pickup and Peripheral parts .....	2-16

### ELECTRICAL ADJUSTMENT

1. Video Output (Luminance Signal) Adjustment .....	2-17
2. Video Output (Chrominance Signal) Adjustment .....	2-17
3. Video Component Signal (CB) Output Adjustment .....	2-18

## SECTION 3

ABBREVIATIONS .....	3-1
---------------------	-----

### BLOCK DIAGRAM

1. OVERALL BLOCK DIAGRAM .....	3-3
2. SERVOBLOCK DIAGRAM .....	3-5
3. VIDEO BLOCK DIAGRAM .....	3-7
4. AUDIO BLOCK DIAGRAM .....	3-9

### SCHEMATIC DIAGRAM

1. POWER SUPPLY SCHEMATIC DIAGRAM (FOR U, C MODELS) ....	3-11
2. POWER SUPPLY SCHEMATIC DIAGRAM (FOR B, G, A MODELS) 3-13	
3. ADSC (MODULE C.B.A. 1/8) SCHEMATIC DIAGRAM ....	3-15
4. SERVO (MODULE C.B.A. 2/8) SCHEMATIC DIAGRAM ...	3-17
5. AV DECODER (MODULE C.B.A. 3/8) SCHEMATIC DIAGRAM ...	3-19
6. VDAC (MODULE C.B.A. 4/8) SCHEMATIC DIAGRAM ....	3-21
7. FEP (MODULE C.B.A. 5/8) SCHEMATIC DIAGRAM .....	3-23
8. CPU (MODULE C.B.A. 6/8) SCHEMATIC DIAGRAM .....	3-25
9. CLOCK (MODULE C.B.A. 7/8) SCHEMATIC DIAGRAM ...	3-27
10. ODC (MODULE C.B.A. 8/8) SCHEMATIC DIAGRAM .....	3-29
11. VIDEO (MODULE C.B.A. 1/5) SCHEMATIC DIAGRAM ....	3-31
12. ADAC C (MODULE C.B.A. 2/5) SCHEMATIC DIAGRAM ...	3-33
13. AUDIO AC-3 (MODULE C.B.A. 3/5) SCHEMATIC DIAGRAM ...	3-35
14. AUDIO OUT (MODULE C.B.A. 4/5) SCHEMATIC DIAGRAM ..	3-37
15. OPERATION (MODULE C.B.A. 5/5) SCHEMATIC DIAGRAM ...	3-39
16. VIDEO COMP SCHEMATIC DIAGRAM (FOR U, C MODELS) ...	3-41
17. SCART SCHEMATIC DIAGRAM (FOR B, G MODELS) ....	3-43
18. FRONT SW/HEAD PHONE/POWER SW SCHEMATIC DIAGRAM ...	3-45

### CIRCUIT BOARD DIAGRAM

1. POWER SUPPLY C.B.A. (FOR U, C MODELS) .....	3-47
2. POWER SUPPLY C.B.A. (FOR B, G, A MODELS) .....	3-49
3. MODULE C.B.A. ....	3-51
4. MOTHER C.B.A. ....	3-55
5. FRONT SW/HEAD PHONE/POWER SW C.B.A. ....	3-57
6. SCART C.B.A. (FOR B, G MODELS). ....	3-59
7. VIDEO COMP C.B.A. (FOR U, C MODELS) .....	3-61

## SECTION 4

### EXPLODED VIEWS & REPLACEMENT PARTS LIST

1. ELECTRICAL REPLACEMENT PARTS LIST .....	4-1
2. Casing Parts & Mechanism Section .....	4-18
3. Loading Mechanism Section .....	4-21
4. Traverse Section .....	4-23
5. REMOTE CONTROL TRANSMITTER .....	4-25

# SECTION 1 SPECIFICATIONS

**Power requirements:** For U, C models  
AC 120V,60Hz  
For B, A, G models  
AC 220 – 240V, 50Hz

**Power consumption:** For U, C models  
19W (approx. 1W when set to the standby mode)  
For B, G models  
20W (approx. 2.5W when set to the standby mode)  
For A models  
19W (approx. 2W when set to the standby mode)

**Signal system:** For U, C models  
NTSC  
For B, A, G models  
PAL 625/50, PAL 525/60, NTSC

**Compact video output:**  
For U, C models only  
Y output level: 1Vp-p (75Ω), green  
C<sub>B</sub> output level: 0.7Vp-p (75Ω), blue  
C<sub>R</sub> output level: 0.7Vp-p (75Ω), red  
Output connector: Pin jack

**Weight:** 7.9lbs. (3.6kg)  
For G:Gold model only  
4.2kg

**Dimensions:** 17-3/16" (W) × 3-15/16" (H) × 10-3/8" (D)  
[435 (W) × 100 (H) × 263 (D) mm]  
For G:Gold model only  
473 (W) × 100 (H) × 263 (D) mm  
(excluding protrusions)

**Audio output:**  
Output level: 2 Vrms (1kHz, 0dB)  
Output connector: Pin jack  
5.1ch mixed output: 1 system (2ch)  
5.1ch discrete output: 1 system (5.1ch)

**Operating temperature range:** +5 to +35°C (+41 to +95°F)

**Operating humidity range:** 5 to 90% (no condensation)

**Audio signal output characteristics:**

- (1) Frequency response:  
DVD (linear audio):  
2Hz to 22kHz (48kHz sampling)  
2Hz to 44kHz (96kHz sampling)  
CD audio:  
2Hz to 20kHz (EIAJ)
- (2) S/N ratio:  
CD audio: 115dB (EIAJ)
- (3) Dynamic range:  
DVD (linear audio): 103dB  
CD audio: 100dB (EIAJ)
- (4) Total harmonic distortion:  
CD audio: 0.002% (EIAJ)

**Discs played:**

- (1) DVD-VIDEO disc
  - 5" (12cm) single-sided, single-layer
  - 5" (12cm) single-sided, double-layer
  - 5" (12cm) double-sided, single-layer
  - 3" (8cm) single-sided, single-layer
  - 3" (8cm) single-sided, double-layer
  - 3" (8cm) double-sided, single-layer
- (2) Compact disc (CD-DA, VIDEO CD)
  - 5" (12cm) disc
  - 3" (8cm) disc

**Digital audio output:**

Optical digital output: Optical connector  
Coaxial digital output: Pin jack

**S-video output:**

For U, C models  
Y output level: 1Vp-p (75Ω)(NTSC)  
C output level: 0.286Vp-p (75Ω)(NTSC)  
Output connector: S terminal (1 system)  
For B, A, G models  
Y output level: 1Vp-p (75Ω)  
C output level: 0.286Vp-p (75Ω) (PAL)  
For B, G models  
Output connector: S terminal (1 system) / AV1  
For A model  
Output connector: S terminal (1 system)


**Pick up:** Wave length: 655nm  
Laser power: CLASS II

Specifications are subject to change without notice.  
Weight and dimensions are approximate.

**Video output:**

Output level: 1Vp-p (75Ω)  
For U, C, A models  
Output connector: Pin jack (2 systems)  
For B, G models  
Output connector: Pin jack (2 systems)/AV1/AV2

U ..... U.S.A. model  
C ..... Canadial model  
A ..... Australlan model  
G ..... European model  
B ..... United Kindom model

Manufactured under license from Dolby Laboratories Licensing Corporation. "Dolby" and the double-D symbol  are trademarks of Dolby Laboratories Licensing Corporation.

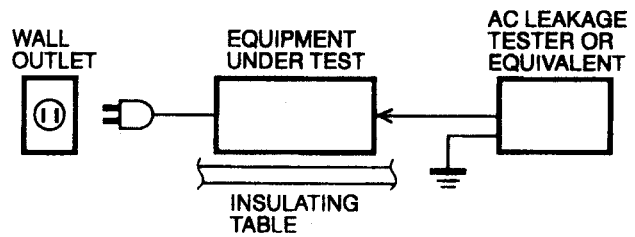
## LOCALE MANAGEMENT INFORMATION

Locale Management Information: This DVD player is designed and manufactured to respond to the Locale Management information that is recorded on a DVD disc. If the Locale number described on the DVD disc does not correspond to the Locale number of this DVD player, this DVD player cannot play this disc. (See page1-3, REGION CODE.)

This product incorporates copyright protection technology that is protected by method claims of certain U.S. patents and other intellectual property rights owned by Macrovision Corpoation and other rights owners. Use of this copyright protection techology must be authorized by Macrovision Corporation, and is intended for home and other limited viewing uses only unless otherwise authorized by Macrovision Corporation. Reverse engineering or disassembly is prohibited.

## TO SERVICE PERSONNEL

1. Critical Components Information.  
Components having special characteristics are marked  $\Delta$  and must be replaced with parts having specifications equal to those originally installed.
2. Leakage Current Measurement (For 120V Models Only).  
When service has been completed, it is imperative to verify that all exposed conductive surfaces are properly insulated from supply circuits.
  - Meter impedance should be equivalent to 1500 ohm shunted by 0.15mF.
  - Leakage current must not exceed 0.5mA.
  - Be sure to test for leakage with the AC plug in both polarities.



**CAUTION:** USE OF CONTROLS OR ADJUSTMENTS OR PERFORMANCE OF PROCEDURES OTHER THAN THOSE SPECIFIED HEREIN MAY RESULT IN HAZARDOUS RADIATION EXPOSURE.

THE COMAPCT DISC PLAYER SHOULD NOT BE ADJUSTED OR REPAIRED BY ANYONE EXCEPT PROPERLY QUALIFIED SERVICE PERSONNEL.

### PROTECTION OF EYES FROM LASER BEAM DURING SERVICING

This set employs a laser. Therefore, be sure to carefully follow the instructions below when servicing.

1. Pick up
  - Wave length : 655nm
  - Laser power : CLASS II
2. When checking the laser diode emission, keep your eyes more than 30 cm away from the objective lens.

### WARNING: CHEMICAL CONTENT NOTICE!

The solder used in the production of this product contains LEAD. In addition, other electrical/electronic and/or plastic (where applicable) components may also contain traces of chemicals found by the California Health and Welfare Agency (and possibly other entities) to cause cancer and/or birth defects or other reproductive harms.

**DO NOT PLACE SOLDER, ELECTRICAL/ELECTRONIC OR PLASTIC COMPONENTS IN YOUR MOUTH FOR ANY REASON WHATSOEVER!**

Avoid prolonged, unprotected contact between solder and your skin! When soldering, do not inhale solder fumes or expose eyes to solder/flux vapor!

If you come in contact with solder or components located inside the enclosure of this product, wash your hands before handling food.


# PREVENTION OF ELECTRO STATIC DISCHARGE (ESD) TO ELECTROSTATICALLY SENSITIVE (ES) DEVICES

Some semiconductor (solid state) devices can be damaged easily by static electricity. Such components commonly are called Electrostatically Sensitive (ES) Devices. Examples of typical ES devices are integrated circuits and some field-effect transistors and semiconductor "chip" components. The following techniques be used to help reduce the incidence of component damage caused by electro static discharge (ESD).

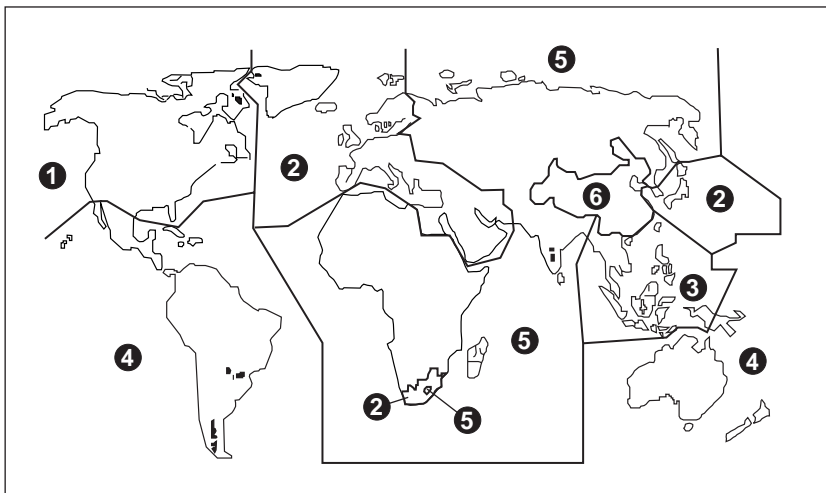
1. Immediately before handling any semiconductor component or semiconductor-equipped assembly, drain off any ESD on your body by touching a known earth ground. Alternatively, obtain and wear a commercially available discharging ESD wrist strap, which should be removed for potential shock reasons prior to applying power to the unit under test.
2. After removing an electrical assembly equipped with ES devices, place the assembly on a conductive surface such as aluminum foil, to prevent electrostatic charge buildup or exposure of the assembly.
3. Use only a grounded-tip soldering iron to solder or unsolder ES devices.
4. Use only an anti-static solder removal device. Some solder removal devices not classified as "anti-static (ESD protected)" can generate electrical charge sufficient to damage ES devices.
5. Do not use freon-propelled chemicals. These can generate electrical charges sufficient to damage ES devices.
6. Do not remove a replacement ES device from its protective package until immediately before you are ready to install it. (Most replacement ES devices are packaged with leads electrically shorted together by conductive foam, aluminum foil or comparable conductive material).
7. Immediately before removing the protective material from the leads of a replacement ES device, touch the protective material to the chassis or circuit assembly into which the device will be installed.  
CAUTION: Be sure no power is applied to the chassis or circuit, and observe all other safety precautions.
8. Minimize bodily motions when handling unpackaged replacement ES devices. (Otherwise harmless motion such as the brushing together of your clothes fabric or the lifting of your foot from a carpeted floor can generate static electricity (ESD) sufficient to damage an ES device).

## IMPORTANT SAFETY NOTICE

There are special components used in this equipment which are important for safety.

These parts are marked  by in the schematic diagrams, exploded views and replacement parts list. It is essential that these critical parts should be replaced with manufacturer's specified parts to prevent shock, fire, or other hazards. Do not modify the original design without permission of manufacturer.

## REGION CODE



## PRECAUTION OF LASER DIODE

### CAUTION:

This unit utilizes a class I laser. Invisible laser radiation is emitted from the optical pickup lens when the unit is turned on:

1. Do not look directly into the pickup lens.
2. Do not use optical instruments to look at the pickup lens.
3. Do not adjust the preset variable resistor on the optical pickup.
4. Do not disassemble the optical pickup unit.
5. If the optical pickup is replaced, use the manufacturer's specified replacement pickup only.
6. Use of control or adjustment or performance of procedures other than those specified herein may result in hazardous radiation exposure.

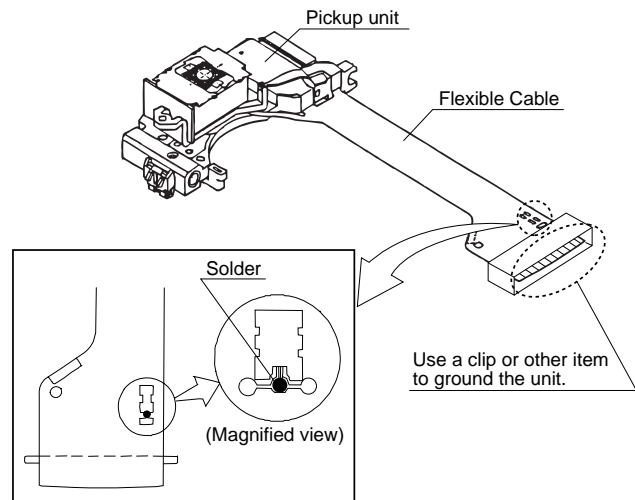
## HANDLING PRECAUTIONS FOR TRAVERSE DECK

The laser diode in the optical pickup may break down due to potential difference caused by static electricity of clothes or human body.

So be careful of electrostatic break down during repair of the optical pickup.

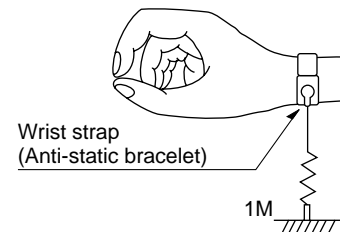
### Handling of optical pickup

1. Do not subject the optical pickup to static electricity as it is extremely sensitive to electrical shock.
2. To prevent the breakdown of the laser diode, an antistatic shorting pin is inserted into the flexible board (FPC Board). When removing or connecting the short pin, finish the job in as short times as possible.
3. Be careful not to apply excessive stress to the flexible board (FPC Board).
4. Do not turn the variable resistor (Laser power adjustment). It has already been adjusted.



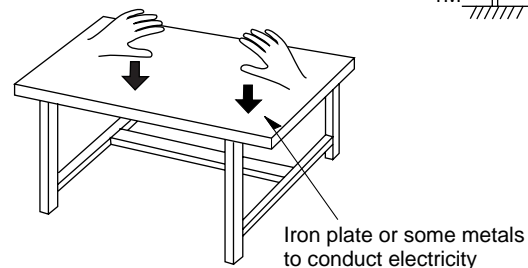
### Grounding for electrostatic breakdown prevention

1. Human body grounding.  
Use the antistatic wrist strap to discharge the static electricity from your body.
2. Work table grounding.  
Put a conductive material (sheet) or steel on the area where the optical pickup is placed and ground the sheet.



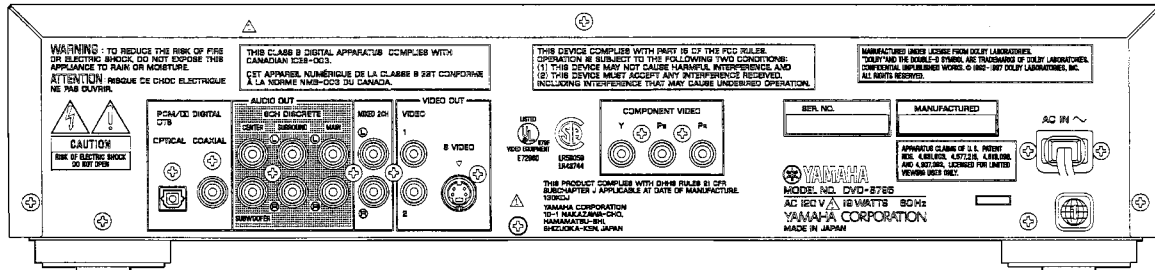
### Caution:

The static electricity of your clothes will not be grounded through the wrist strap. So take care not to let your clothes touch the optical pickup.

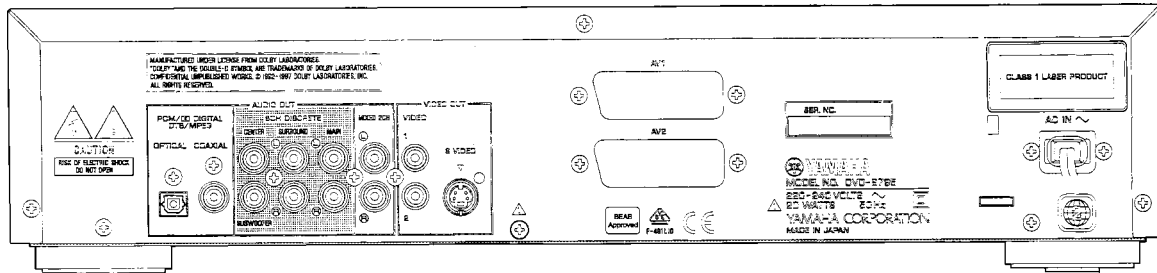


# REAR PANELS

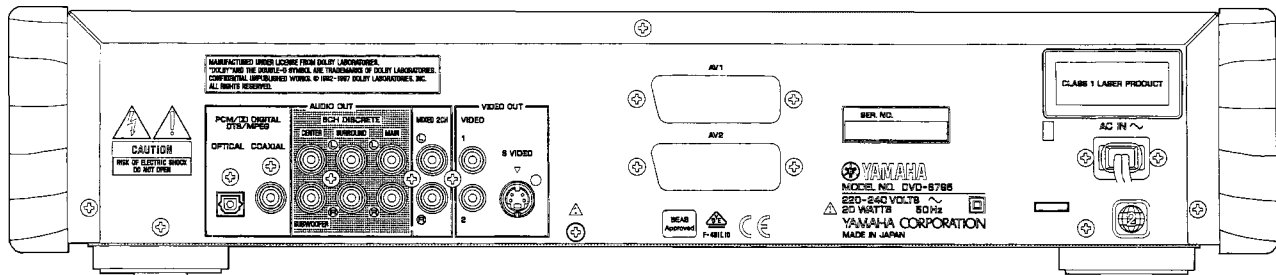
## ▼ U,C models (DVD-S795/S705)



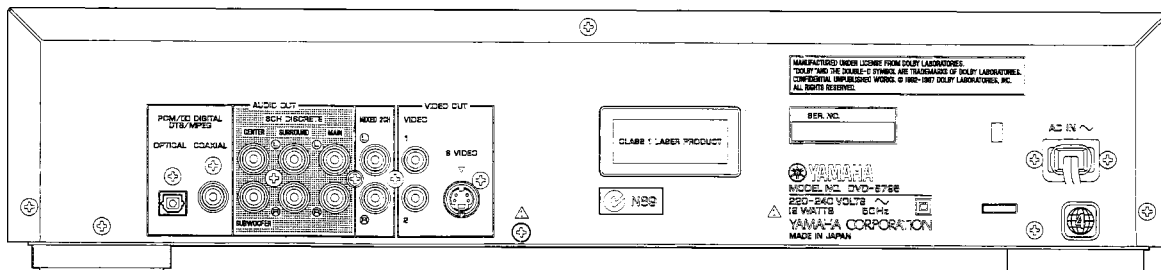
## ▼ B, G models



## ▼ G model (Gold)



## ▼ A model



DVD-S795/S705

# OPTICAL PICKUP SELF-DIAGNOSIS AND REPLACEMENT PROCEDURE

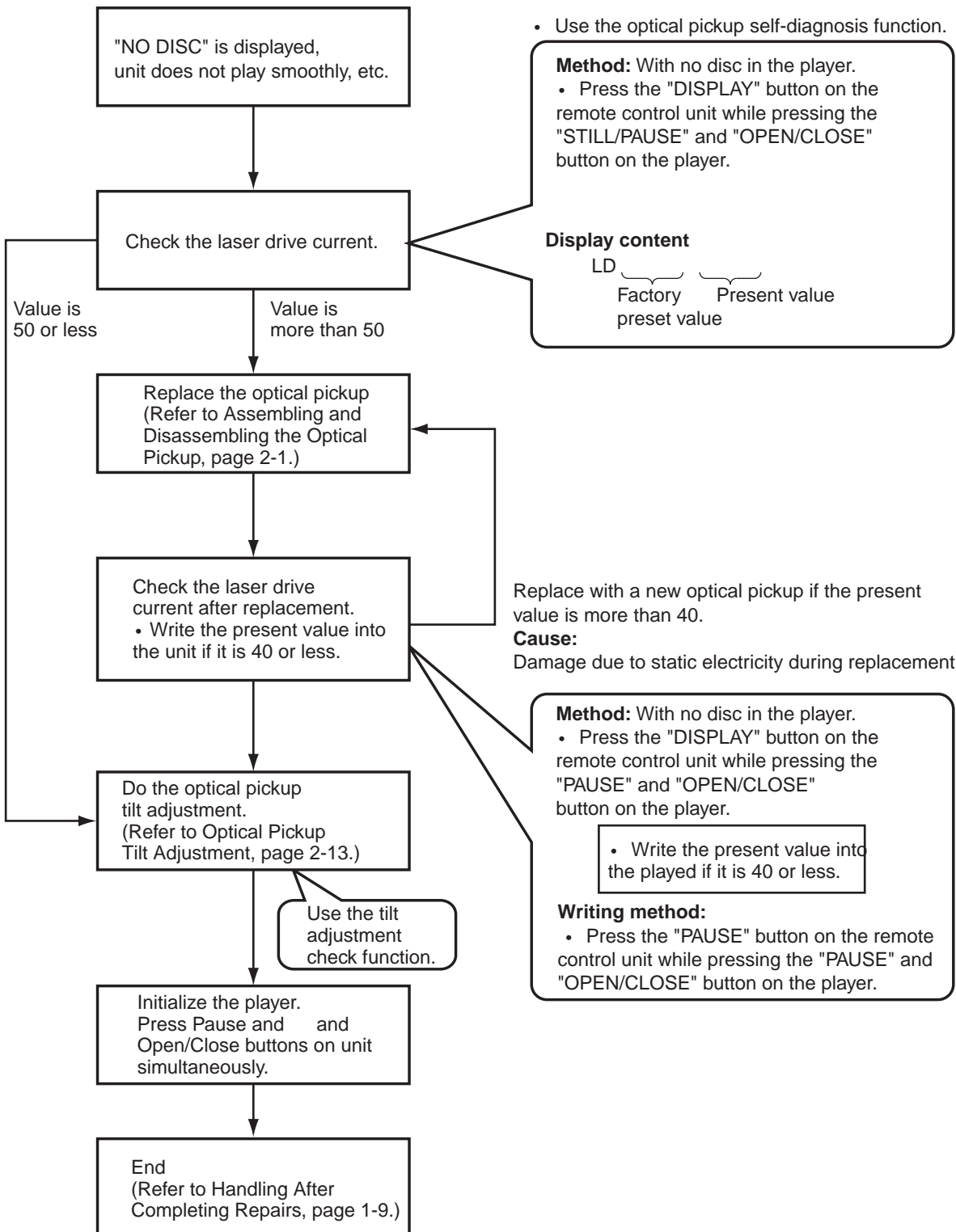
The optical pickup self-diagnosis function and tilt adjustment check function have been newly added to this player. When repairing, use the following procedure for effective Self-diagnosis and tilt adjustment.

Be sure to use the self-diagnosis function before replacing the optical pickup when "NO DISC" is displayed. As a guideline, you should replace the optical pickup when the value of the laser drive current is more than 50.

## Note

Press the power button to turn on the power, and check the value before the unit warms up (within three minutes).

- Use the self diagnosis function below when NO DISC is displayed or unit doesn't read a disc, before replacing the OPU.



DVD-S795/S705



# SELF-DIAGNOSIS FUNCTION AND SERVICE MODES

## 1. Service Mode Table

The service mode can be activated by pressing various button combinations on the player and remote control unit.

Player buttons	Remote control unit button	Application	Note
PAUSE + OPEN/CLOSE	0	Displaying the UHF display F_ _ _	Refer to Self-Diagnosis Function (UHF Display), in page 1-7.
	5	Tilt adjustment	Refer to Optical Pickup Tilt Adjustment, in page 2-13.
	6	Checking the region numbers and broadcast system	
	7	Checking the program version	Check the IC6302 FLASH ROM program.
	9	Lighting Confirmation Function of Display Tube	
	DISPLAY	Checking the laser drive current	Refer to Optical Pickup Self-Diagnosis and Replacement, in page 1-6.
	STILL/PAUSE	Writing the laser drive current value after replacing the optical pickup (do not use for anything other than optical pickup replacement)	Procedure.
STILL/PAUSE SKIP/SEARCH<< OPEN/CLOSE		Initializing the DVD player (restoring factory preset settings) Use when replacing a microprocessor, microprocessor peripheral parts, or C. B. A.	Refer to Initializing the DVD Player, in page 1-9.

## 2. Self-Diagnosis Function (UHF Display)

This unit incorporates a convenient self-diagnosis function for use in troubleshooting.

Display method	Display	Diagnosis	Checkpoints
Service numbers displayed during use.	U11	Focus error	IC2001, IC2511, IC5201, pickup
	H01	Tray loading error	IC2001, IC2511 loading motor
	H02	Spindle servo error	Spindle motor, IC2501, IC2001
	H03	Traverse error	Stepping motor, IC2511, IC2001
	H04	Tracking servo error	IC2001, IC2501, IC5201, pickup, disc
	H05	Seek error	Stepping motor, IC2511, IC2001
	H06	Power supply error	IC1021, IC1121, IC1151, IC6001
Press the "0" button on the remote control unit while pressing the "STILL/PAUSE" and "OPEN/CLOSE" button on the player.	F0**	Disc format error	If this type of error occurs, refer to Examples of Repairs Using Error Codes, in page 1-8.
	F1**	Disc code error	
	F2**	Decoder LSI error	
	F3**	SDRAM error	
	F4**	IIC BUS error	
	F5**	DSC	
	F6**	ECC error	
	F7**	Microprocessor error	
F8**	Microprocessor error		

### 3. Examples of Repairs Using Error Code

Refer to this section when carrying out repairs.

Error display	Malfunction example
F0**	Disc, IC7001
F103	Disc, IC7001
F4FF	IC6001
F500	Optical pickup, IC2001, IC5201, IC2511, IC2501
F501	IC2001, IC6201
F502	IC2501, IC2511, IC2001, IC5202
F504	IC5202, IC2001
F505	Disc, IC2501, IC2511, IC5202, IC2001
F506	Disc, Optical pickup, IC2001
F600	Disc, IC7001, IC5202, IC2001
F601	Disc, IC7001
F602	Disc, IC5202, IC2001
F603	Disc, IC5202, IC2001
F610	IC7001
F611	IC7001, IC5202, IC2001
F612	IC7001, IC15202, IC2001
F620	Laser drive circuit
F621	Laser drive circuit
F700	IC6201
F701	IC6201
F702	IC6201
F880	IC6201
F890	IC6201
F891	IC6201
F8A0	IC6201
F893	IC6302
F894	IC6303

### 4. Sales Demonstration Lock Function

This function prevents discs from being lost when the unit is used for sales demonstrations, by disabling the disc eject function. "LOCKED" is displayed on the unit, and ordinary operation is disabled.

#### 4-1. Setting Method

The sales demonstration lock function is set by simultaneously pressing the "POWER" button of DVD Player on the remote control unit and the "STOP" button on the main unit. ("LOCKED" is displayed when the lock function is engaged.)

#### 4-2. Release Method

The function can be released using the same procedure as for setting. If the remote control unit is not at hand, the function can be released by using the same method as for player initialization (pressing the "PAUSE", "SKIP/SEARCH<<" and "OPEN/CLOSE" buttons simultaneously).

# SERVICE PRECAUTIONS

## 1. Initializing the DVD Player

Initialize the DVD player whenever you replace a microprocessor, microprocessor peripheral parts, module C.B.A or mother C.B.A.

### 1-1. Precautions

The customer settings will return to factory preset settings when the player is initialized. Make a note of the settings and reset them after initializing.

- When resetting, see the Initial Setting in the Operating Instructions.

### 1-2. Initialization Method

The player will be initialized (return to the factory preset condition) when you press the "PAUSE", "SKIP/SERCH<<" and "OPEN/CLOSE" buttons simultaneously. When the DVD player is initialized, "All Clear" appears on screen, it also displays "INITIALIZED".

## 2. Handling After Completing Repairs

Use the following procedure to secure the traverse unit in the standby position.

### 2-1. Method

With the power turned on:

1. Press the "OPEN/CLOSE" button to close the tray.
2. Press the "POWER" button to turn off the power.
3. Disconnect the power plug from the outlet.

### 2-2. Precautions

Do not disconnect the power plug from the outlet with the tray still open, then close the tray manually. If you were to do so, the traverse unit would not go to the upper (standby) position, and the player could not be transported.

# SERVICE TOOLS AND EQUIPMENT

## 1. Service Tools and Equipment Table

Application	Name	Number
General	DVD test disc	DVDT-S15 (AX07320) or DVDT-S01 (TX946080)
Tilt adjustment	Hex wrench	JZS0100 (TX946380)
	Adjustment table	
Inspection	Extension cables (Power supply C.B.A. to mother C.B.A.)	JGS0099 (TX946360)
	Extension cable (module C.B.A. to mother C.B.A.)	JGS0098 (TX946370) × 2
Others	Screw lock	RZZ0L01 (TX946400)
	Grease	JGS0091 (TX946260) JGS0092 (TX946270)
	Lubricant	JZS0648 (TX946410)
	Grease	JGS0101 (TX946390)
Confirmation	CD test disc	SZZP1054C (TX946090)
	VCD test disc	PVCD_K06 (TX946090)
Electrical adjustment	Oscilloscope	
	Probe	
	AV calbe	VJA0658 (MX605190)
	TV monitor	
General	General tools (Screw driver etc.)	
Static electricity countermeasures	Soldering iron (with ESD countermeasure)	
	Anti-static wrist strap	
	Conductive material (conductive sheet)	

## 2. Storing and Handling Test Discs

Surface precision is vital for DVD test discs. Be sure to store and handle them carefully.

1. Do not place discs directly onto the workbench, etc., after use.
2. Handle discs carefully in order to maintain their flatness.  
Place them into their case after use and store them vertically. Store discs in a cool place where they are not exposed to direct sunlight or air from air conditioners.
3. Accurate adjustment will not be possible if the disc is warped from being placed on a surface made of glass, etc. If this happens, use a new test disc to make optical adjustments.
4. If adjustment is done using a warped disc, the adjustment will be incorrect and some discs will not be playable.

# OPERATING INSTRUCTIONS

## Connection

- Ensure that this player and other equipment to be connected are set to the standby mode or off, and disconnect the AC cord, before commencing connection.
- Do not block ventilation holes of any of the equipment and arrange them so that air can circulate freely.
- Read through the instructions before connecting other equipment.
- Ensure that you observe the color coding when connecting audio and video cables.
- Select the appropriate screen type at the initial setting "6 TV Aspect" according to your TV set [4:3/16:9 and Standard (Direct View TV)/CRT Projector/LCD Projector/Projection TV].

### Notes:

- If the DVD/Video CD/CD player is connected to the TV through a video cassette recorder, the picture may not be played back normally with some DVDs.
- When playing some DVD discs, TV volume level may be lower than from some other sources, adjust the TV volume to your desired level.
- When the DVD/Video CD/CD player is connected to the TV set through the component video output connectors, the ON SCREEN informations from the amplifier will not show on the TV screen. To show them, select the input position which is connected to the amplifier on the TV set.

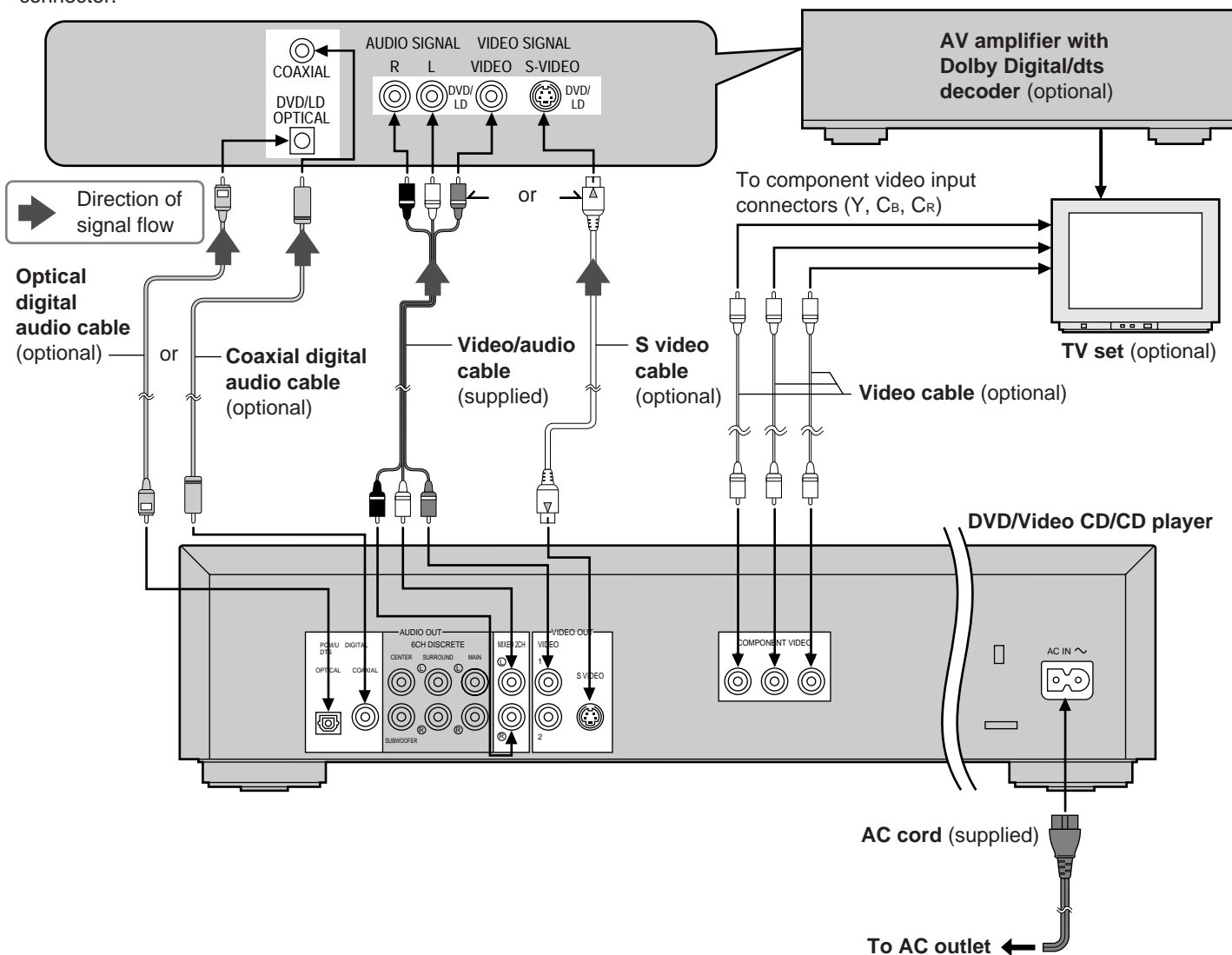
**Do not place the player on amplifiers or other equipment which may become hot.**

### Connecting to an AV amplifier containing Dolby Digital or dts (digital theater systems) decoder

When DVDs recorded in Dolby Digital or dts are played, Dolby Digital bitstream or dts bitstream is output from the player's OPTICAL digital audio output connector or COAXIAL digital audio output connector. When the player is connected to a Dolby Digital decoder or dts decoder, you can enjoy theater-quality audio in your home. [An optical digital audio cable or coaxial digital audio cable (both optional) is required when an optional Dolby Digital decoder or dts decoder is used.]

### Note:

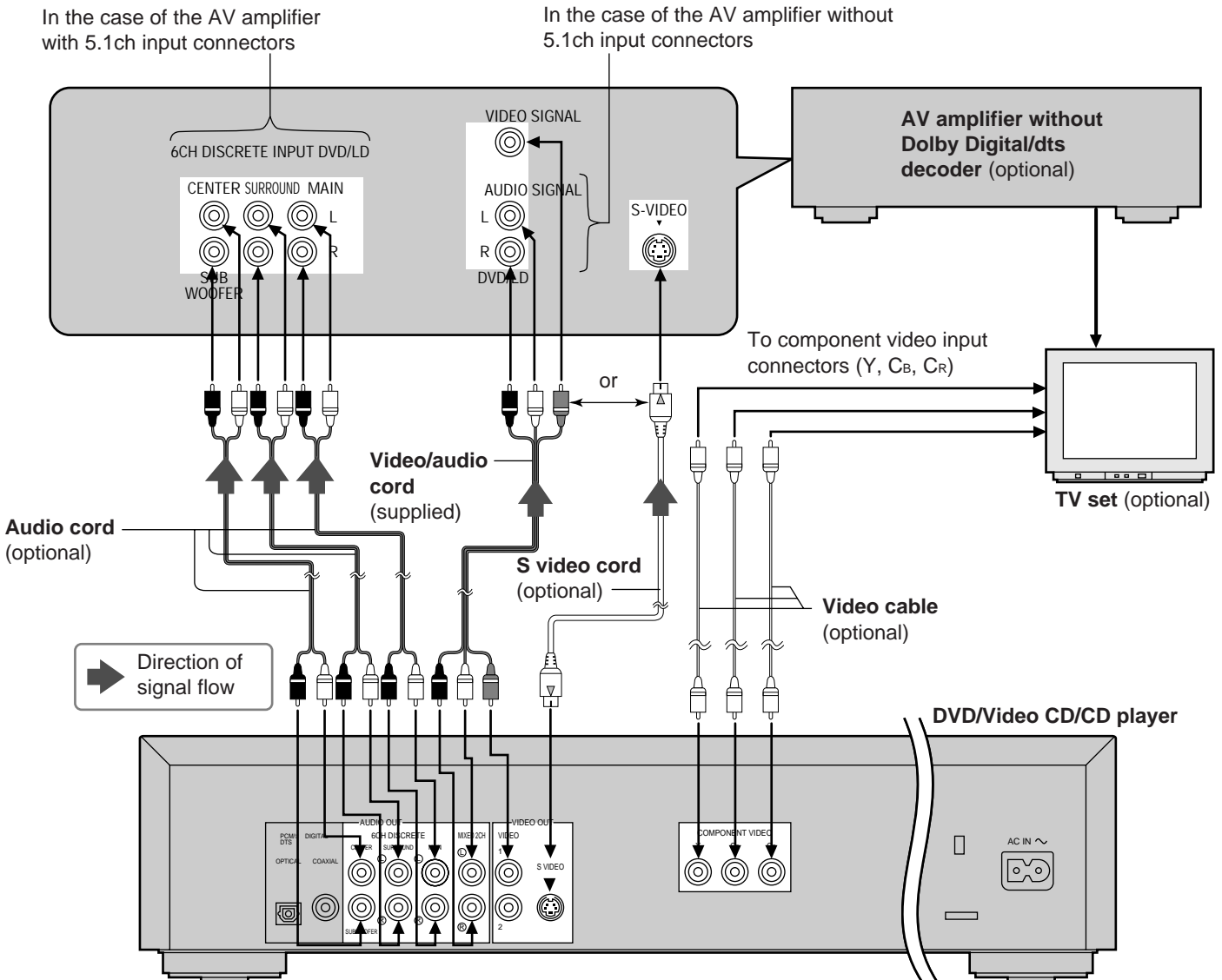
- When connecting an AV amplifier which contains dts decoder, be sure to select "Bitstream" at "3 dts" of the initial setting "7 Digital Audio Output". ("Off" is selected at the factory preset.) If "Off" is selected, dts bitstream is not output from the digital audio output connector.



## Connection

### Connecting to an AV amplifier which does not contain Dolby Digital or dts (digital theater systems) decoder

This DVD/Video CD/CD player contains a Dolby Digital decoder. This enables the playback of DVDs recorded in Dolby Digital Surround or Linear PCM without the need for an optional decoder with Dolby Digital or Linear PCM processing. When the DVD/Video CD/CD player is connected to an AV amplifier with 5.1ch input connectors, you can enjoy theater-quality audio in your home when playing discs recorded in Dolby Digital Surround or Linear PCM.



#### Notes:

- After connection is made, set the i8 Speaker Setting<sup>†</sup> (such as Yes/No and Large/Small) according to your speaker system.
- If the surround speakers are set to iNo<sup>†</sup> at the i8 Speaker Setting<sup>†</sup> (see page 40), the discs recorded in Linear PCM will be played back only in 2 channels even when the center speaker is connected as well as the front speakers.
- DVDs recorded in Linear PCM/96 kHz sampling in which iCenter Speaker<sup>†</sup> is contained will also be played back only in 2 channels.
- If the player is connected to the AV amplifier as shown above, audio recorded in dts will not be output. To enjoy dts sound, it is necessary to connect the player.

## General information about On-Screen Menu Icons

This player features On-Screen Menu Icons providing various functions. A "banner" will be displayed on the TV monitor by pressing the ON SCREEN button on the remote control. Operating the cursor buttons/SELECT button on the remote control will show disc information (title/chapter/track number, elapsed playing time, audio/subtitle language, and angle) and player information (repeat play, play mode, marker, etc.). Some icons allow the settings to be changed.

### Common procedures

#### 1 Press ON SCREEN during play or in the stop mode.

Each time this button is pressed, the TV monitor changes as shown below.

→ On-Screen Menu Icons are not displayed

↓  
On-Screen Menu Icons for selecting disc information

↓  
On-Screen Menu Icons for selecting player information

↓  
Shuttle screen

- Some functions cannot be accessed from the stop mode.

#### 2 Press the cursor buttons ( , ) to select the preferred item.

- The currently selected item is indicated by the yellow frame on the On-Screen Menu Icons.

#### 3 Press the cursor buttons ( , ) to select the preferred setting.

- For some functions, the setting will be registered immediately; for others, SELECT or PLAY must be pressed.
- When numbers are displayed (e.g. title No.), the numeric buttons are also effective for setting instead of the cursor buttons ( , ). When numbers are entered by the numeric buttons, press SELECT to register the setting.

Press RETURN or CLEAR to clear the On-Screen Menu Icons.

#### Examples of On-Screen Menu Icons

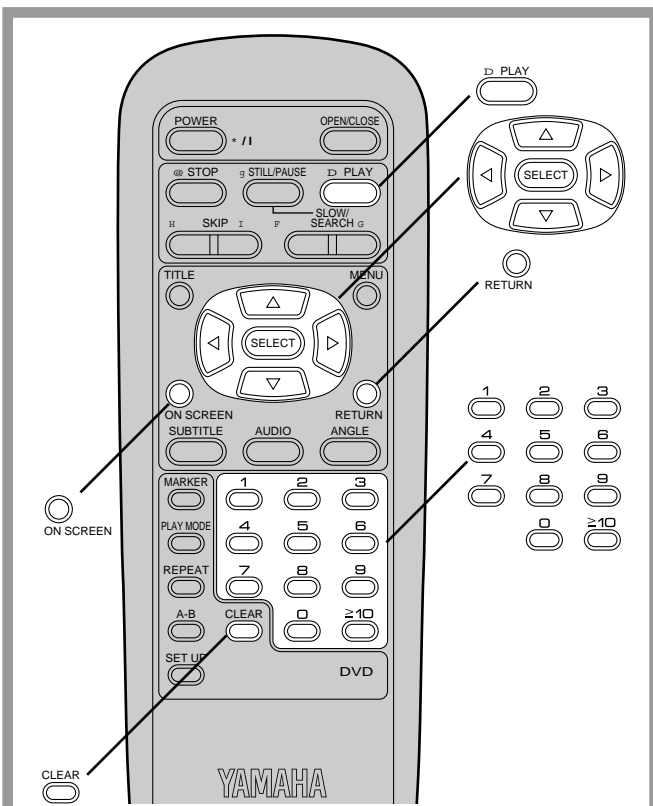
(See **A**, **B** and **C** for detailed illustration.)

(The screens may differ depending on the disc contents.)

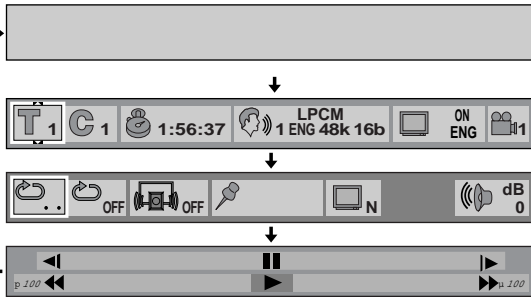
- DVD (**A**)
- Video CD (**B**)
- CD (**C**)

#### For your reference:

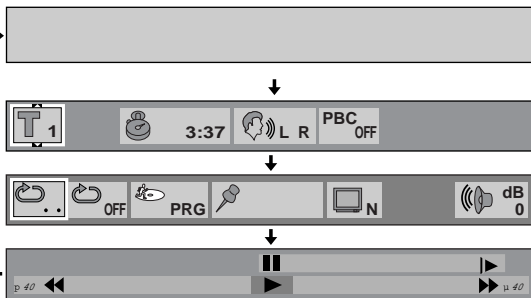
- Depending on the type of DVD software and a TV with automatic picture zoom function enabled, the On-Screen Menu Icons may not be displayed or only partially displayed on the TV screen.
- In this case, change the position of the On-Screen Menu Icons in "4 On-Screen Messages" of the initial settings.
- The color (blue, violet or green) of the On-Screen Menu Icons can be changed.



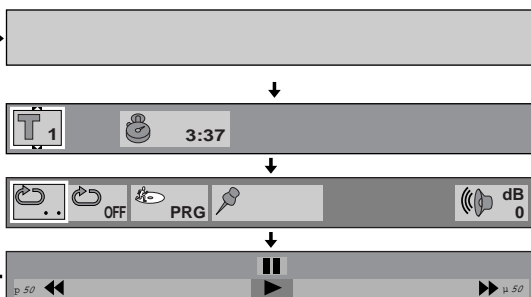
**A**



**B**

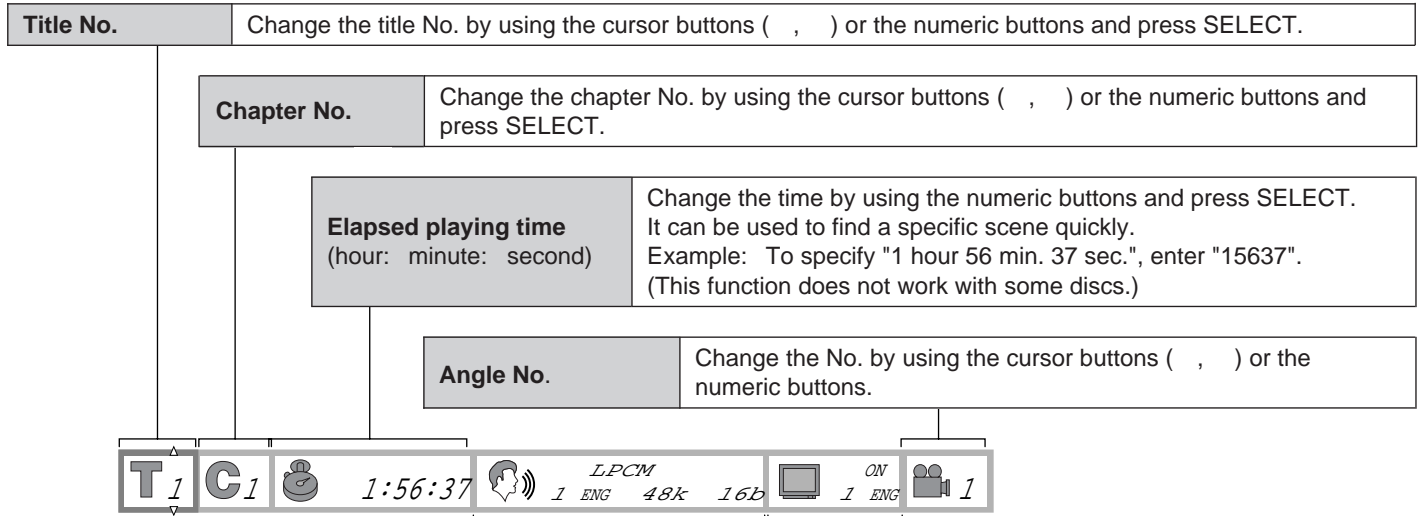


**C**



## Detailed descriptions of each On-Screen Menu Icon

### Screen for disc information (For DVD)



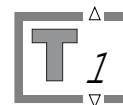
Audio soundtrack language No.		Change the No. by using the cursor buttons ( , ) or the numeric buttons.				
Audio soundtrack language		ENG: English      POR: Portuguese FRA: French      RUS: Russian DEU: German      JPN: Japanese ITA: Italian      CHI: Chinese ESP: Spanish      KOR: Korean NLD: Dutch      MAL: Malay SVE: Swedish      VIE: Vietnamese NOR: Norwegian      THA: Thai DAN: Danish      U: Others				
Audio attribute	LPCM	96k or 48k	<table border="1"> <tr><td>16b</td></tr> <tr><td>20b</td></tr> <tr><td>24b</td></tr> </table> Linear PCM ("k" stands for kHz and "b" stands for bit.)	16b	20b	24b
	16b					
	20b					
	24b					
	§	1—5.1ch	Dolby Digital			
	dts	1—5.1ch	dts			
Vocal	--- (OFF) ON	DVD Karaoke (Solo)				
Vocal	--- (OFF) V1 ◦ V2 V1 V2	DVD Karaoke (Duet)				

Subtitle language No.		Change the No. by using the cursor buttons ( , ) or the numeric buttons.	
Subtitle language		ENG: English      POR: Portuguese FRA: French      RUS: Russian DEU: German      JPN: Japanese ITA: Italian      CHI: Chinese ESP: Spanish      KOR: Korean NLD: Dutch      MAL: Malay SVE: Swedish      VIE: Vietnamese NOR: Norwegian      THA: Thai DAN: Danish      U: Others	
Subtitle on/off		Select "ON" or "OFF" by using the cursor buttons ( , ). OFF   Subtitle is cleared. ON   Subtitle is displayed.	

DVD-S795/S705

**For your reference:**



• " " around the icon means that the item can be changed using the cursor buttons ( , ).





# OPERATING INSTRUCTIONS

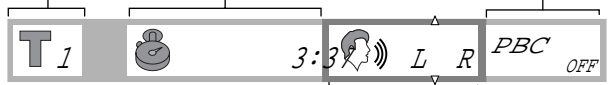
## Detailed descriptions of each On-Screen Menu Icon



### Screen for disc information (For Video CD/CD)

**Track No.** Change the track No. by using the cursor buttons (  ,  ) or the numeric buttons and press SELECT.

**Elapsed playing time**  
(minute: second) During CD play, display is changed by using the cursor buttons (  ,  ).  
Elapsed playing time → Remaining time of the track  
Remaining time of the disc

<b>Playback control</b> (Video CD only) (See page 15.)	OFF	Menu play is not ON.
	ON	Menu play is ON.



<b>Audio mode</b> (Video CD only)	Change the mode by using the cursor buttons (  ,  ).	
	LR	Left channel sound is output from the speaker (L), and right channel sound from the speaker (R).
	L	Left channel sound only is output.
	R	Right channel sound only is output.

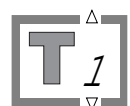
DVD-S795/S705

**Note:**

- Track No. and the elapsed playing time are not displayed during menu play of Video CDs with playback control.
- It is not possible to turn playback control ON or OFF using the On-Screen Menu Icons.

**For your reference:**

- "  " around the icon means that the item can be changed using the cursor buttons (  ,  ).





## Screen for player information

### A-B repeat play

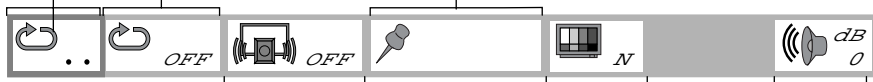
Press SELECT during play to store location A and press SELECT again to store location B and to start repeat play between the specified two locations. Press SELECT again to return to normal play.

Repeat play	Select the preferred mode during play by using the cursor buttons ( , ).		
	OFF	Normal play	DVD
	C	Chapter repeat play	
	T	Title repeat play	
	OFF	Normal play	Video CD/ CD
	T	Track repeat play	
A	Disc repeat play		

### Marker

Press SELECT during play and press SELECT again at the preferred point to store a marker. (Marker no. is displayed instead of "★".)

- To recall a marker, select the preferred marker no. by using the cursor buttons ( , ) and enter the selection using the cursor button ( ).
- To clear a marker, select the preferred marker no. using the cursor buttons ( , ) and press CLEAR.



### • DVD Cinema Dialogue



Select the preferred mode during play by using the cursor buttons ( , ).

OFF	Normal volume
ON	Louder volume

### • Video CD/CD Play mode



PRG	Program play
RND	Random play
---	Normal play

### Master volume

Adjust the master volume by using the cursor buttons ( , ).  
0 to - 127 dB or -

### Cinema Image (DVD/Video CD only)

Select the preferred mode by using the cursor buttons ( , ) and press SELECT.

<b>N</b>	<b>Normal mode</b>	<b>F</b>	<b>Fine mode</b>
<b>S</b>	<b>Soft mode</b>	<b>C</b>	<b>Cinema mode</b>

**User selection mode** (Adjust the picture quality as you like.)  
When U is selected and SELECT is pressed, the On-Screen Menu Icon as shown below appears.



Contrast (+ 7 to - 7)    Color hue (+ 7 to - 7)    Equalizer (+ 1/0/- 1)    Brightness (0 to 15)  
Select the preferred item by using the cursor buttons ( , ) and select the preferred value by using the cursor buttons ( , ).

### Notes:

- Repeat play and marker functions do not work with an interactive DVD or during menu play of a Video CD with playback control.
- A-B repeat play does not work with an interactive DVD.
- It is not possible to change the play mode using the On-Screen Menu Icons.

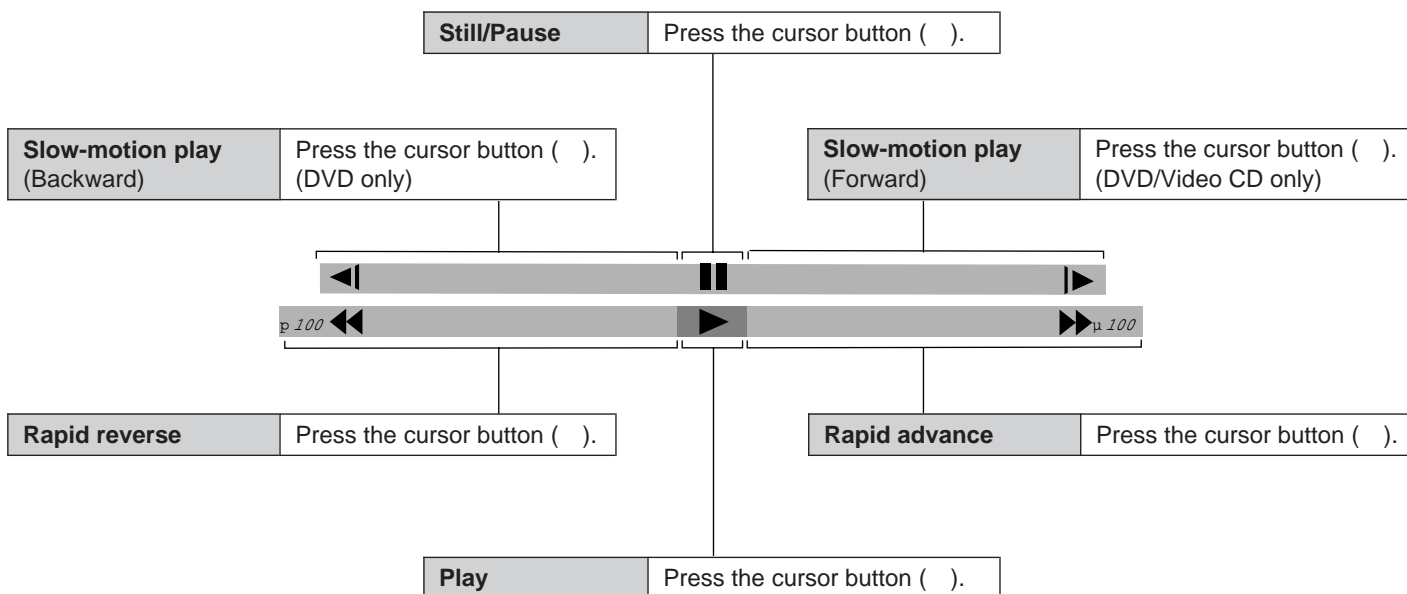
### For your reference:

- The master volume can be set and stored separately for DVD, Video CD and CD.

# OPERATING INSTRUCTIONS

## Detailed descriptions of each On-Screen Menu Icon

### Shuttle screen



#### For your reference:

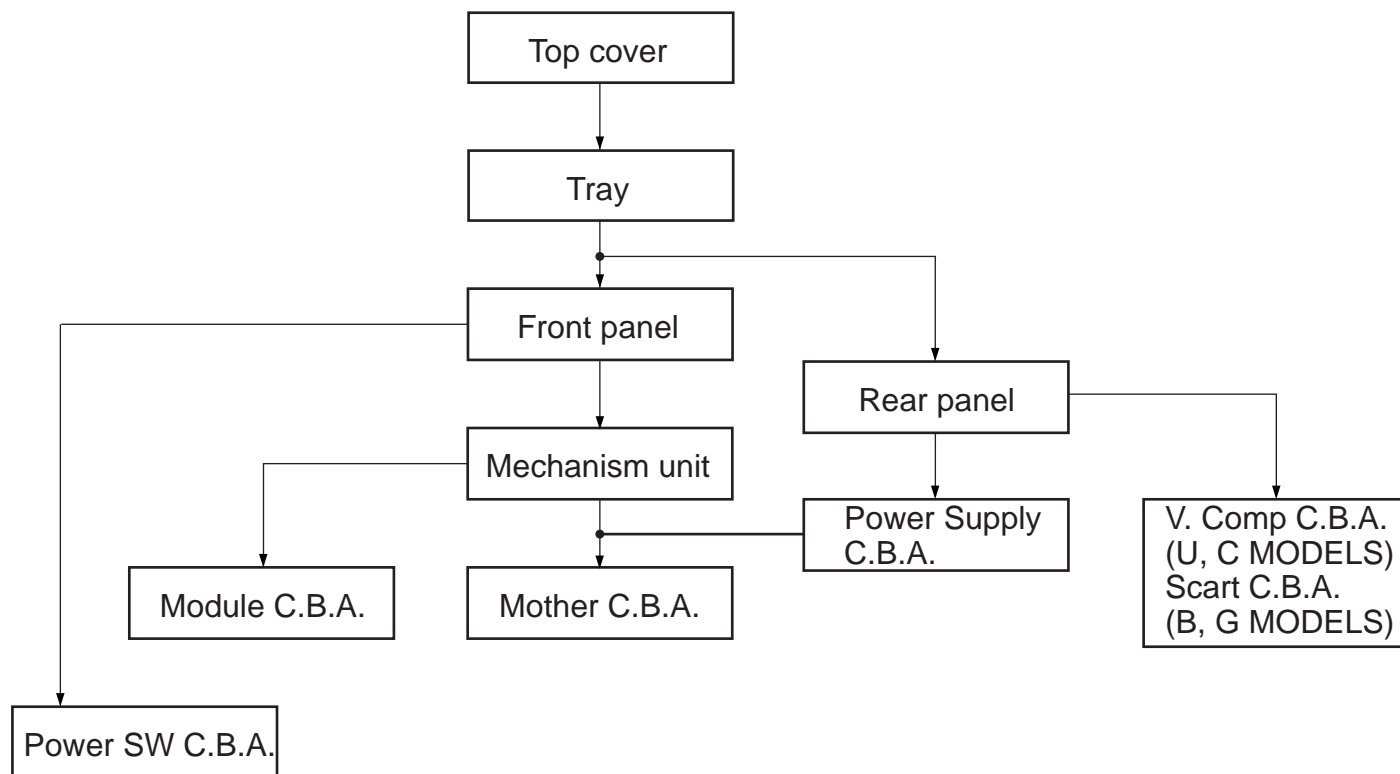
- Each time the cursor button ( , ) is pressed, the speed of rapid reverse/advance and slow-motion play increases up to 5 steps.
- The figures appearing at both ends of the shuttle screen stand for the maximum speeds of rapid reverse and rapid advance. (DVD: + 100/- 100, Video CD: + 40/- 40, CD: + 50/- 50)

## SECTION 2

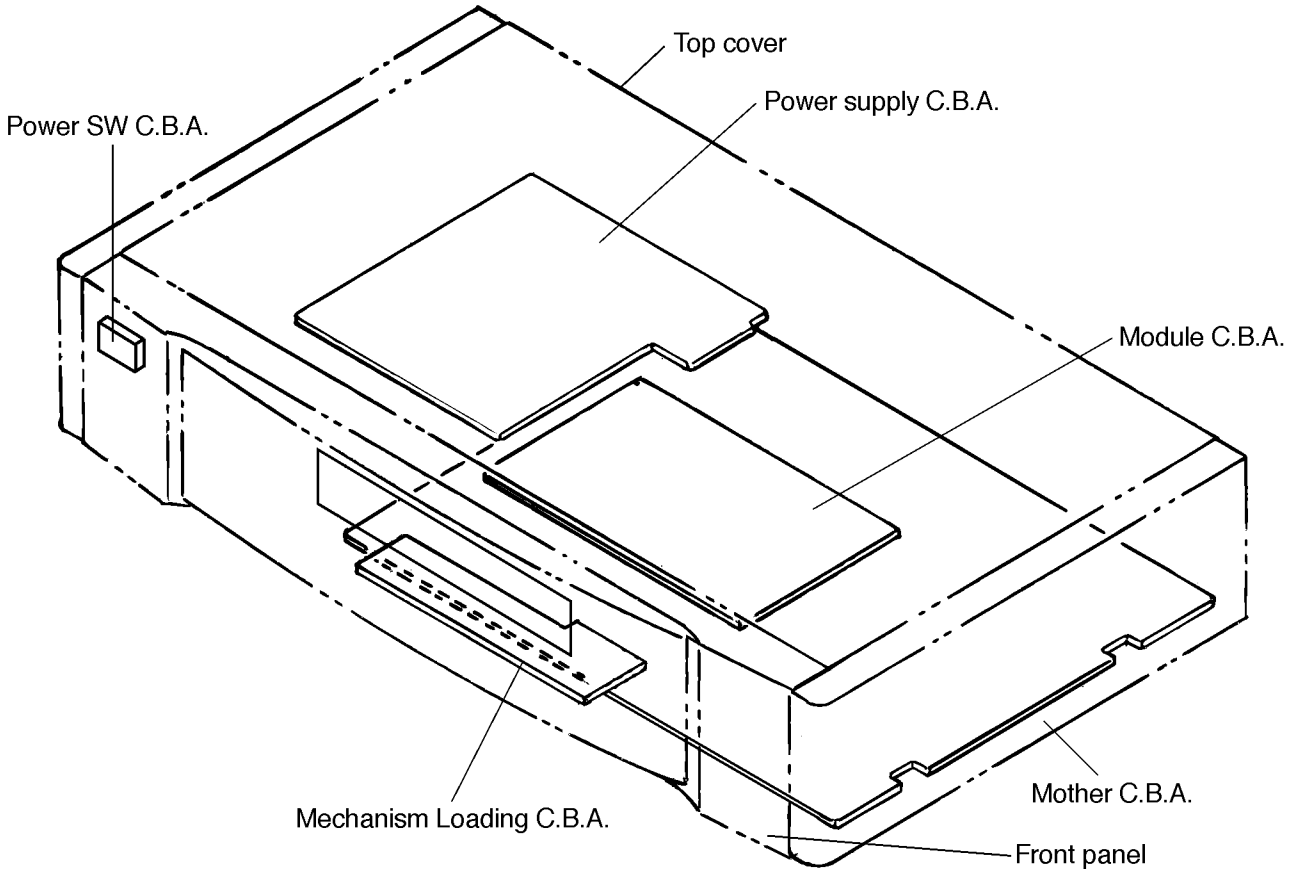
# ASSEMBLING AND DISASSEMBLING THE CASING AND CHECKING C.B.A.s

## 1. Disassembly Procedure

When servicing the unit, use the following procedure to disassemble the casing and inside parts for internal inspection.



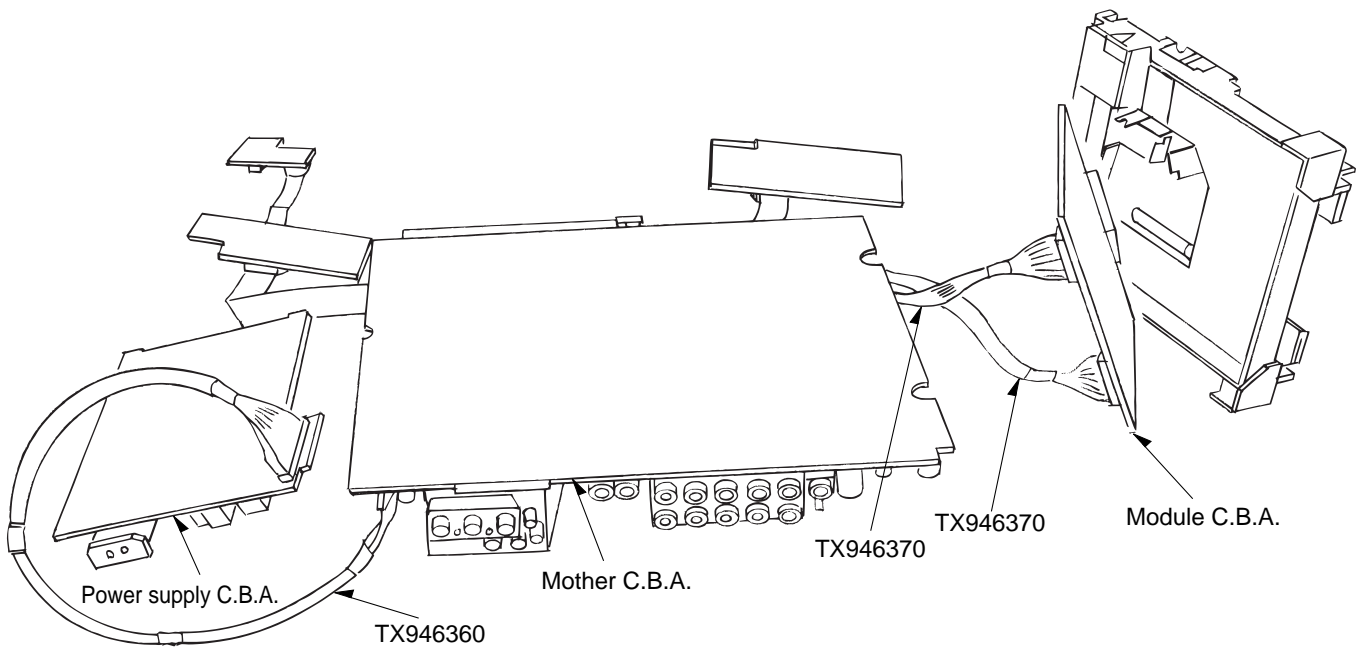
## 2. Casing Parts and C.B.A. Positions



## 3. Service Positions

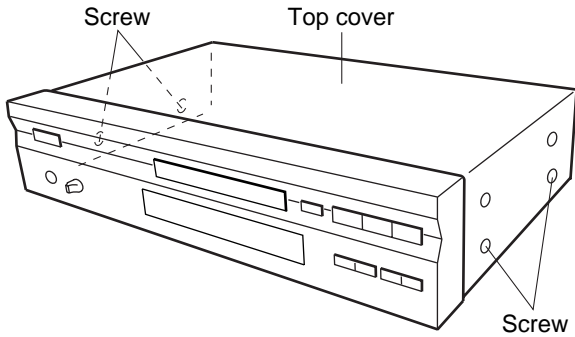
**Note**

To inspect the loading base unit, position the left side upward (as viewed from the front).

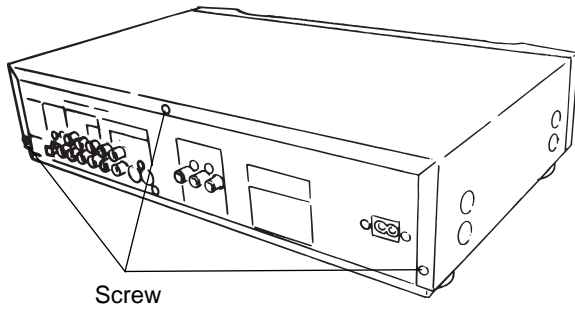


## 4. Disassembling the Top Cover

1. Remove the 4 screws.

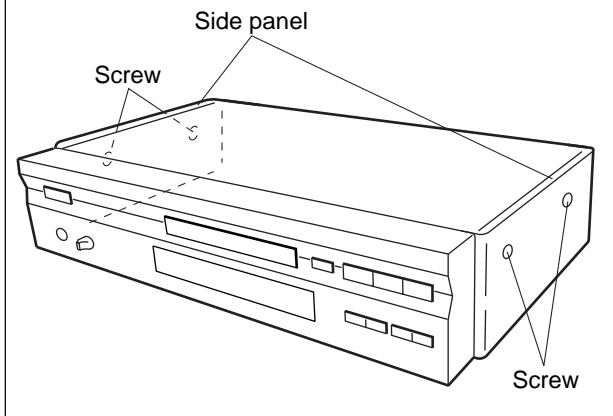


2. Remove the 3 screws.



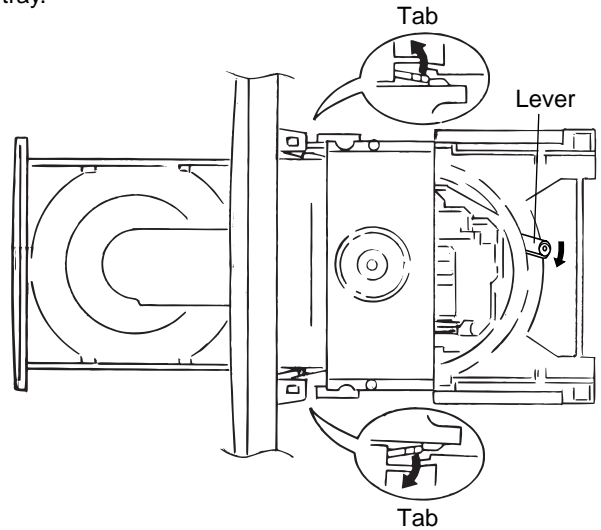
### NOTE for G: Gold Model only

Before disassembling the top cover, remove the side panels by the 4 screws.



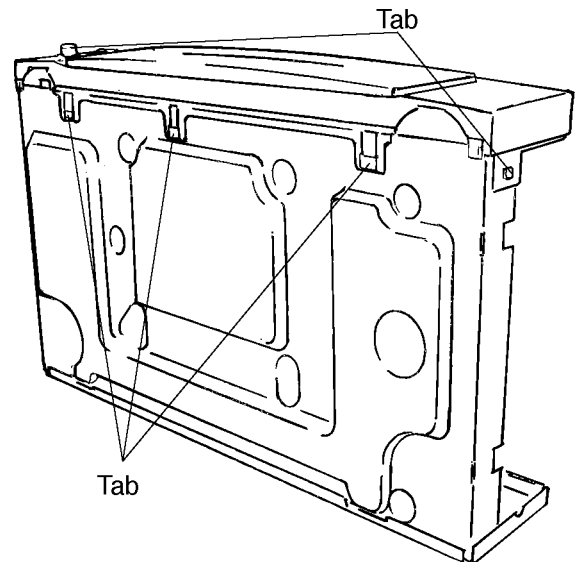
## 5. Disassembling the Tray

1. Turn the level clockwise.
2. Move the tray in the direction of the arrow until it locks.
3. Release the tab locks on the left and right, then pull out the tray.

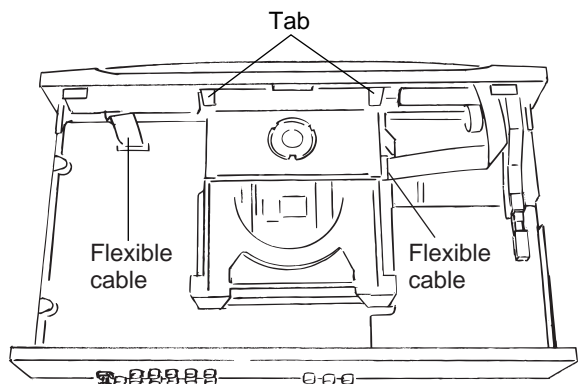


## 6. Disassembling the Front Panel

1. Release the 3 tabs on the bottom.
2. Release the 2 tabs on the left and right.



3. Release the 2 tabs.
4. Disconnect the 2 flexible cables.

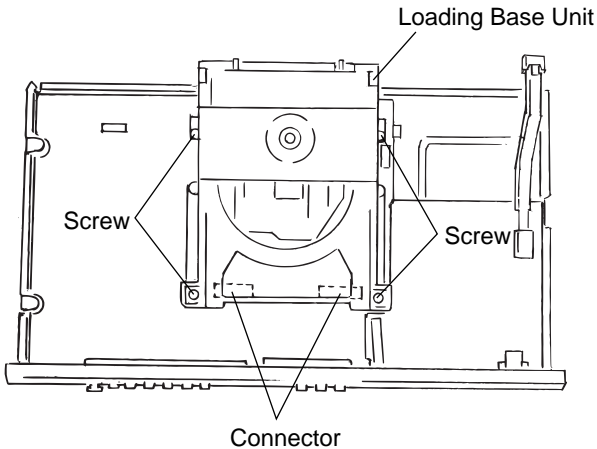


## 7. Disassembling the Loading Base Unit

1. Remove the 4 screws.
2. Pull out the loading base unit vertically.

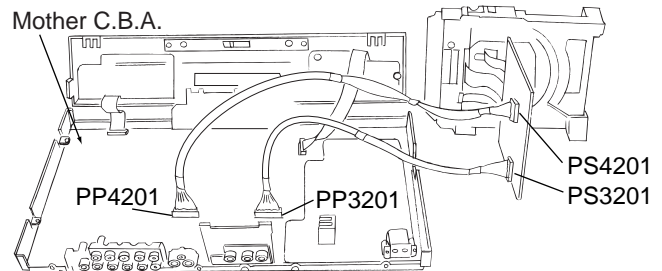
### Note

There is a danger of damaging the connectors.



2. Connect the module C.B.A. to the mother C.B.A. with the extension cables for inspection.

- Extension cables: TX946370 (JGS0098)
- Mother C.B.A. Module C.B.A.  
PP4201-PS4201  
PP3201-PS3201

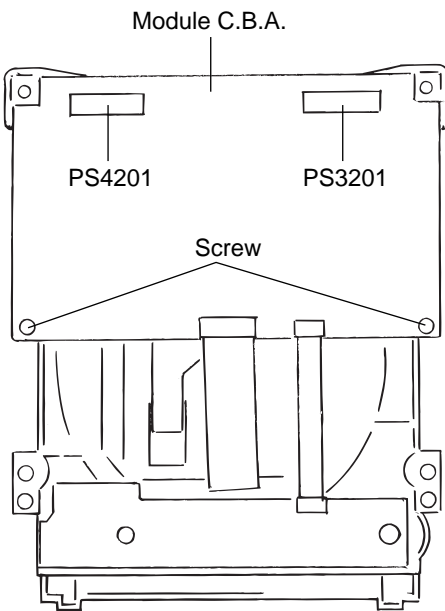


### Note

Be sure to initialize the player whenever you replace a C.B.A. (Refer to section 1-9, Initializing the DVD Player.)

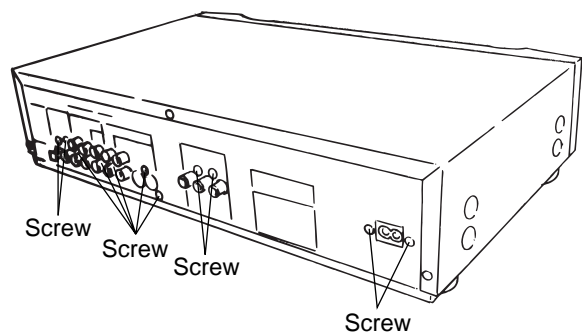
## 8. Checking the Module C.B.A.

1. Remove the 2 screws.

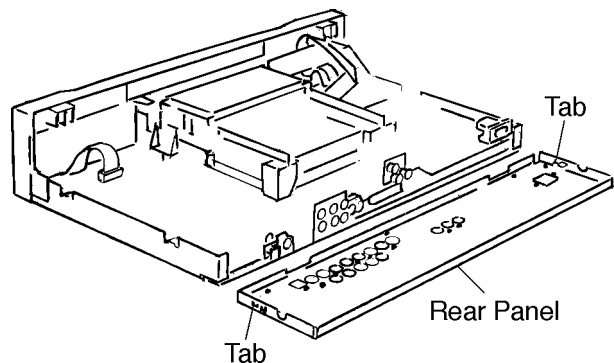


## 9. Disassembling the Rear Panel

1. Remove all of the screws connected to the rear panel. (The number of screws varies according to the model).

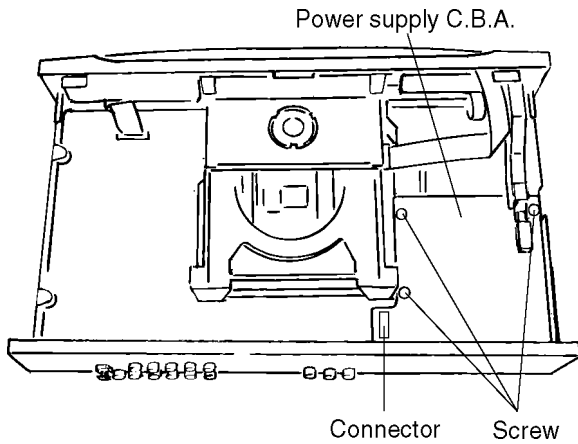


2. Release the two tabs on the left and right.



## 10. Checking the Power Supply C.B.A.

1. Remove the 3 screws.



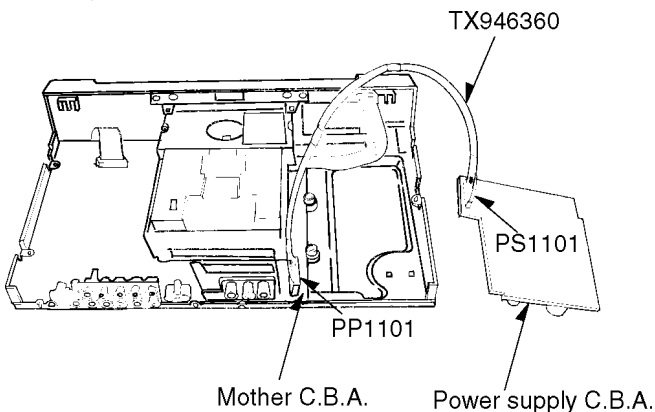
2. Carefully pull out the power supply C.B.A.

### Note

There is a danger of damaging the connectors.

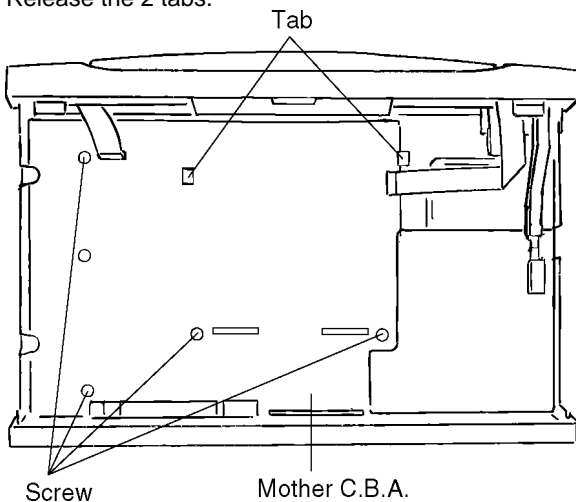
3. Connect the power supply C.B.A. and the mother C.B.A. with the extension cable for inspection.

- Extension cable: TX946360(JGS0099)(connects the power supply C.B.A. PS1101 and the mother C.B.A. PP1101)



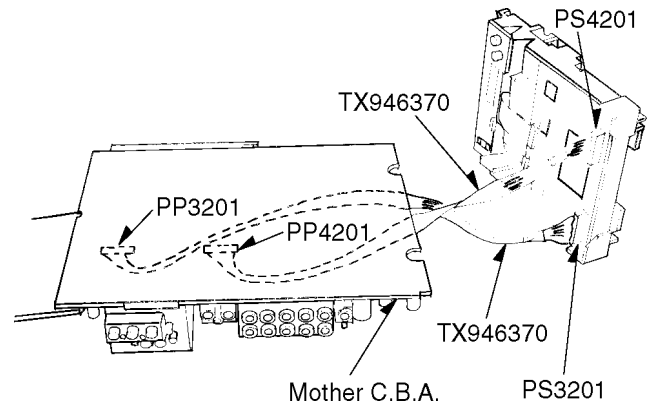
## 11. Checking the Mother C.B.A.

1. Remove the 5 screws.
2. Release the 2 tabs.



3. Checked by connecting the module C.B.A. and the mother C.B.A. with the extension cables.

Extension cables: TBD (two)  
 Module C.B.A. Mother C.B.A.  
 PS3201-PP3201  
 PS4201-PP4201

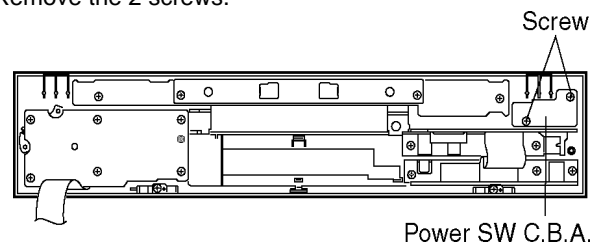


### Note

Be sure to initialize the player whenever you replace a C.B.A. (Refer to section 1-9, Initializing the DVD player.)

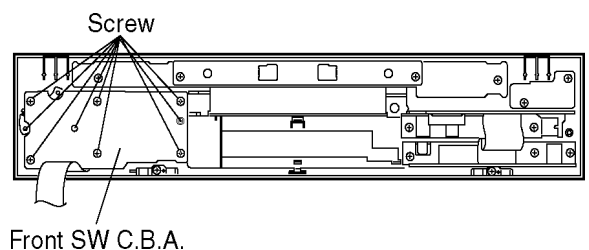
## 12. Checking the Power Switch C.B.A.

1. Remove the 2 screws.



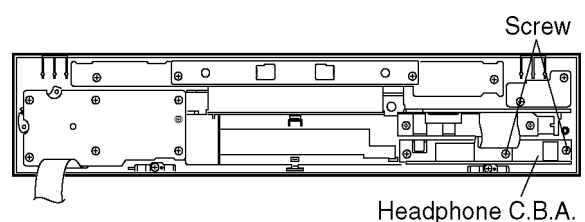
## 13. Checking the Front Switch C.B.A.

1. Remove the 9 screws.



## 14. Checking the Headphone C.B.A.

1. Remove the 2 screws.



# ASSEMBLING AND DISASSEMBLING THE OPTICAL PICKUP (MECHANICAL PARTS)

The optical pickup can be damaged by static electricity from your body. Be sure to take static electricity countermeasures when working around the optical pickup.

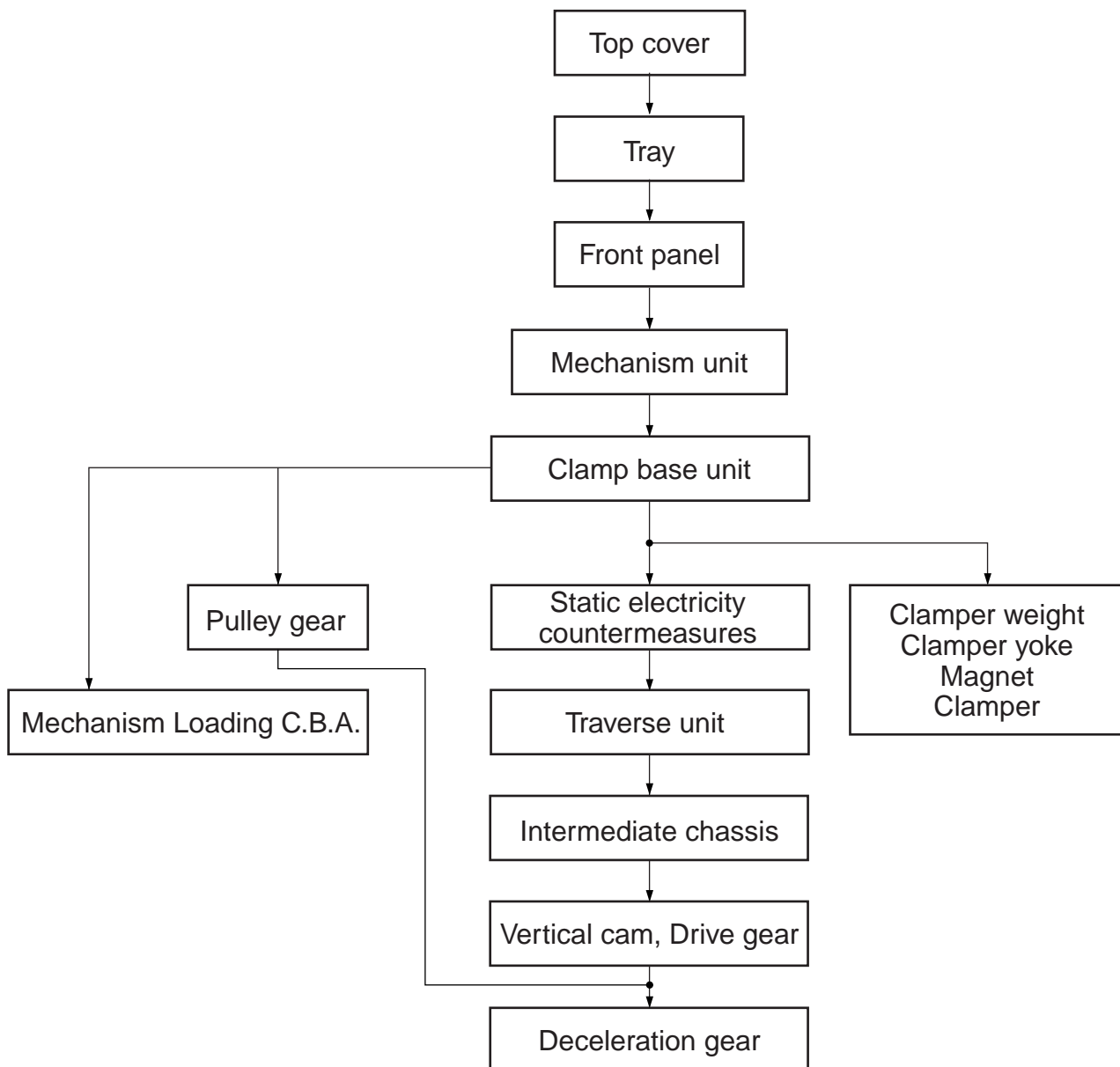
## 1. Handling the Optical Pickup

The optical pickup can be damaged by static electricity from your body. Be sure to take static electricity countermeasures when working around the optical pickup.

1. The optical pickup is an extremely high-precision mechanism. Do not subject it to strong impact.
2. To preserve the quality of the optical pickup replacement parts during transport and installation, the terminals of the laser diode are short-circuited. After replacing the parts, use the proper procedure to return the laser diode to its original condition. (Refer to page 2-11, Assembling the Optical Pickup.)
3. Testers cannot be used to check the laser diode of the optical pickup. The power supply inside the tester can easily damage the laser diode.
4. Take care when handling the flexible cable because excessive force can cause it to break.
5. You cannot adjust the semifixed resistor for laser power adjustment. Do not turn it.

## 2. Disassembly Procedure

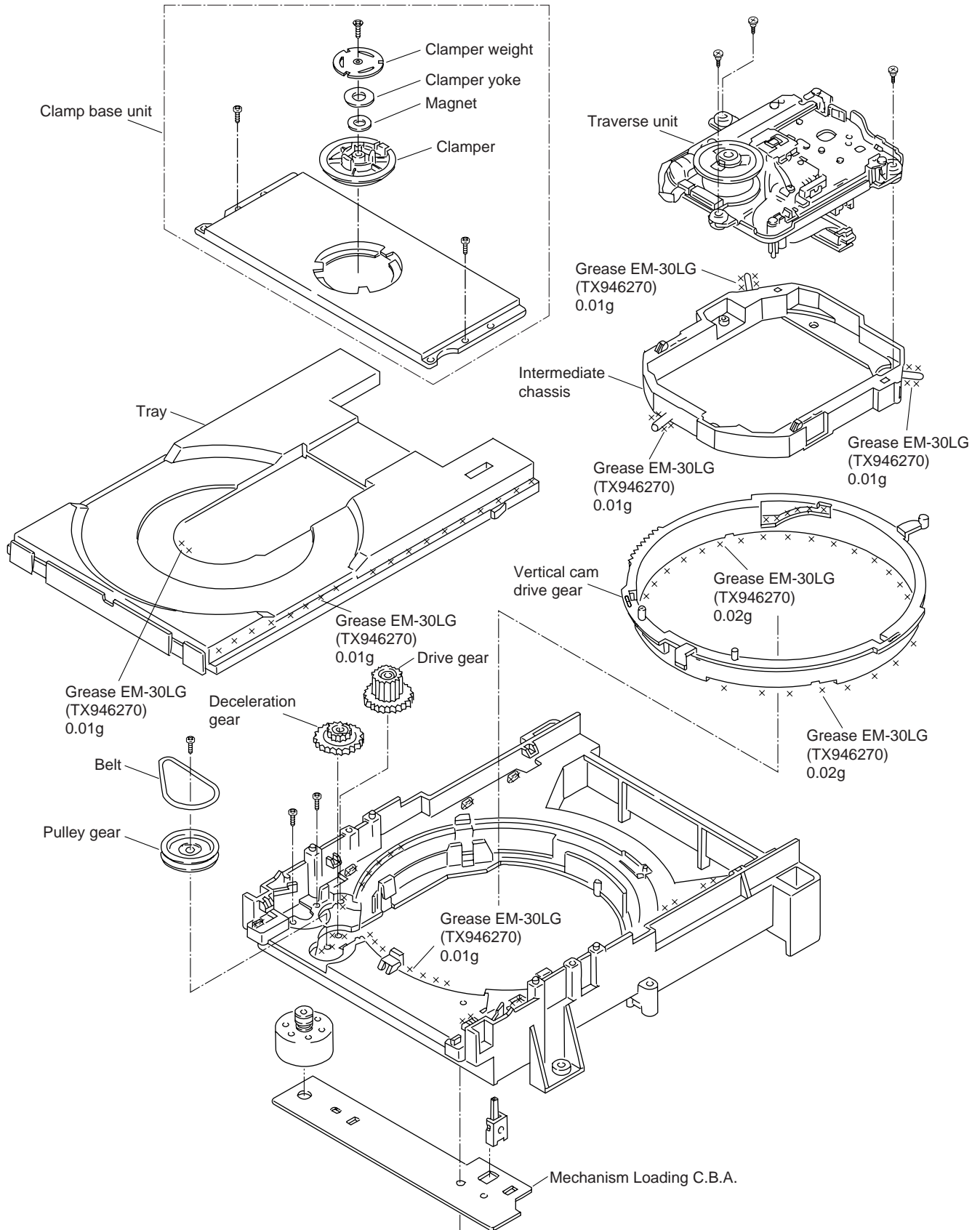
Use the following procedure to replace major parts.  
For the assembly procedure, follow the flow chart in reverse.





### 3. Lubricating the Loading Base Unit

When replacing parts, lubricate the parts made "XXX" in the diagram

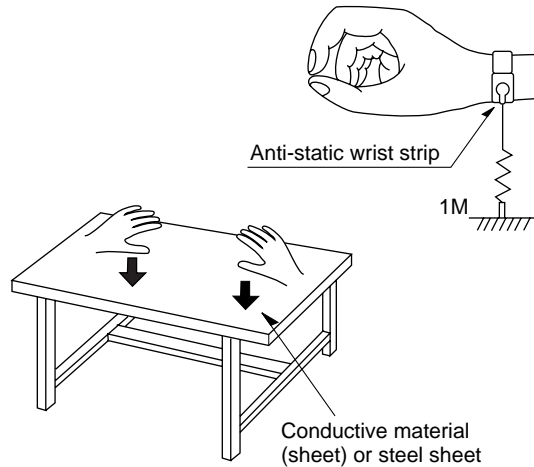


## 4. Static Electricity Countermeasures

The laser diode inside the traverse unit (optical pickup) can be damaged by static electricity from your body. Be sure to take static electricity countermeasures when working around the optical pickup.

### 4-1. Static Electricity Countermeasure Methods

1. Ground yourself  
Use an anti-static wrist strap to discharge static electricity from your body.
2. Ground the workbench  
Lay a conductive material (sheet) or steel sheet on the surface where the traverse unit (optical pickup) is to be placed, then ground the sheet.

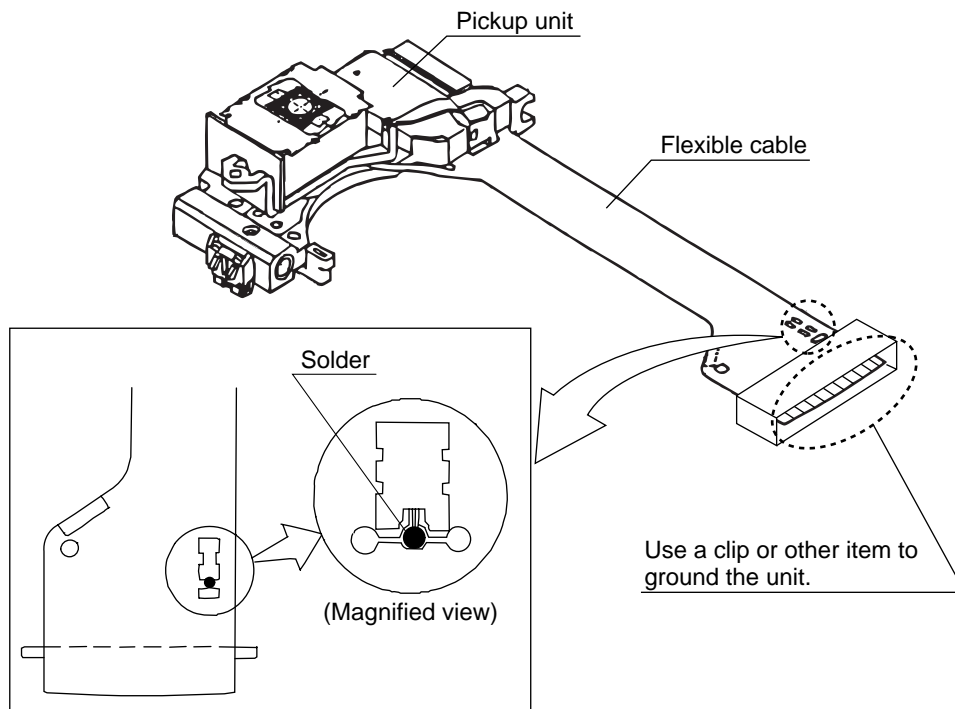


### 4-2. Short-circuit the laser diode

Solder the land in the flexible cable of the optical pickup.

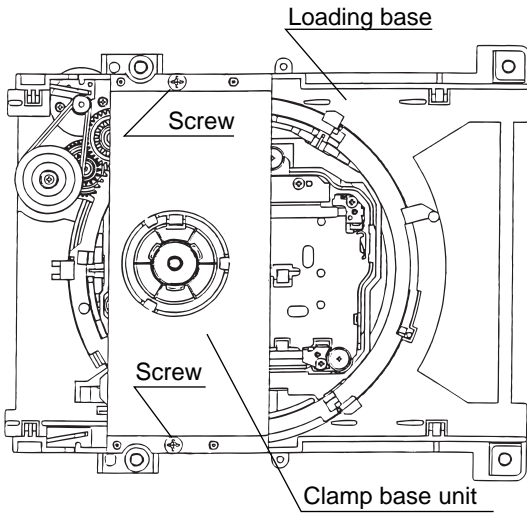
#### Notes

- Be sure to do this before disconnecting the flexible cable of the optical pickup from the module C.B.A.
- Use an anti-static soldering iron to short-circuit and unshort-circuit laser diode. (Recommended soldering iron: Hakko with ESD countermeasure)
- After you have finished repairing the laser diode, follow the correct procedure to remove the solder from the short-circuit location. (Refer to page 2-7, Assembling and Disassembling the Optical Pickup (Mechanical Parts).)

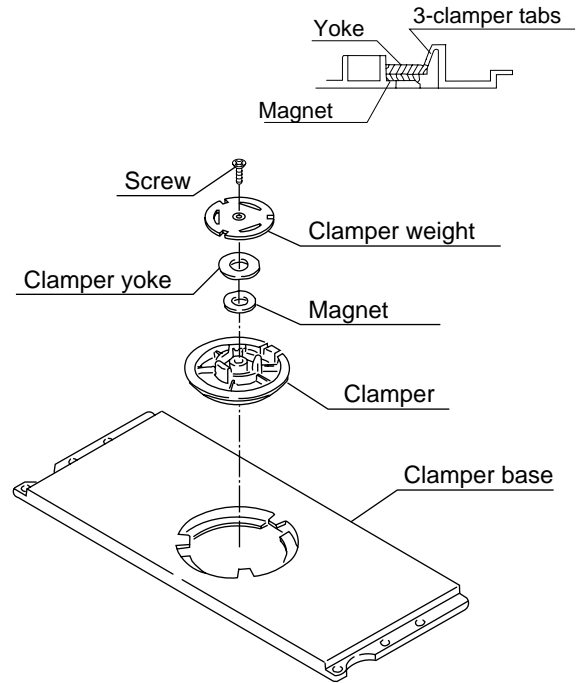


## 5. Disassembling the Clamp Base Unit

1. Remove the 2 screws.

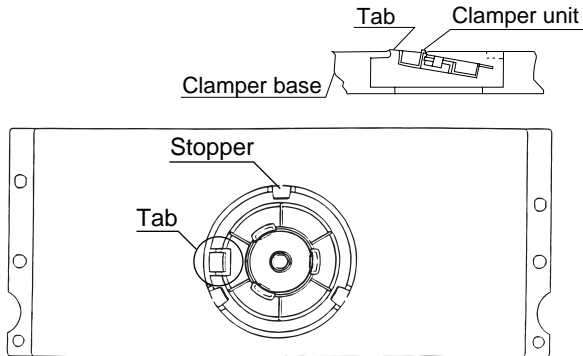


2. Release the 3 tabs on the clamper.



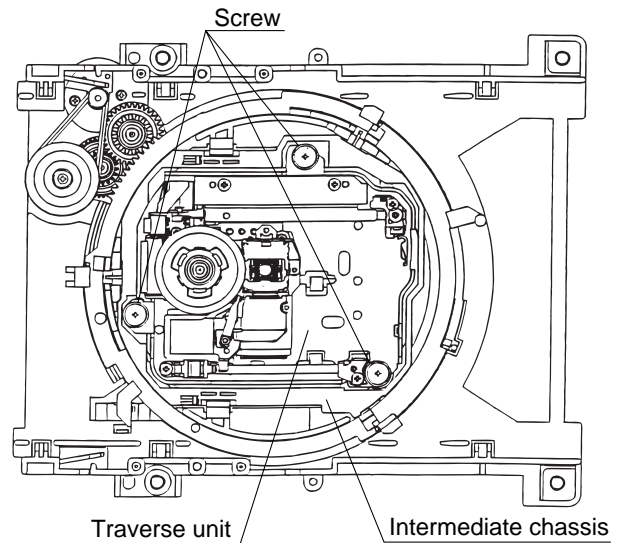
## 6. Disassembling the Clamper Weight, Clamper Yoke, Magnet and Clamper

1. Remove the tab, and pull out the clamper.



## 7. Disassembling the Traverse Unit

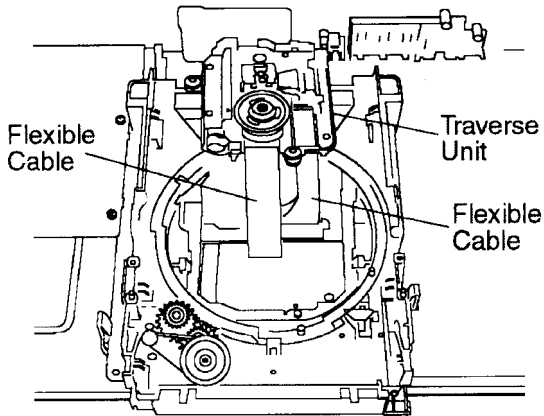
1. Remove the 3 screws.



### Note

Be sure to take static electricity countermeasures before disconnecting the flexible cable. (Refer to page 2-8, Static Electricity Countermeasures.)

2. Disconnect the 2 flexible cables.

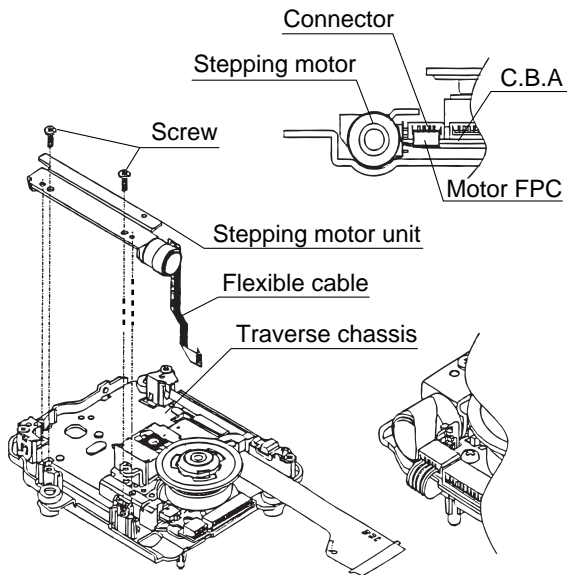


## 8. Disassembling the Stepping Motor Unit

1. Disconnect the flexible cable.
2. Remove the 2 screw.

### Note

Take care when handling the flexible cable because it can be broken by excessive force.



## 9. Disassembling the Optical Pickup Unit

1. Remove the hook of the FPC holder, then remove the FPC holder itself.
2. Remove the screw.
3. Release the tab, then remove spring holder 1.

### Note

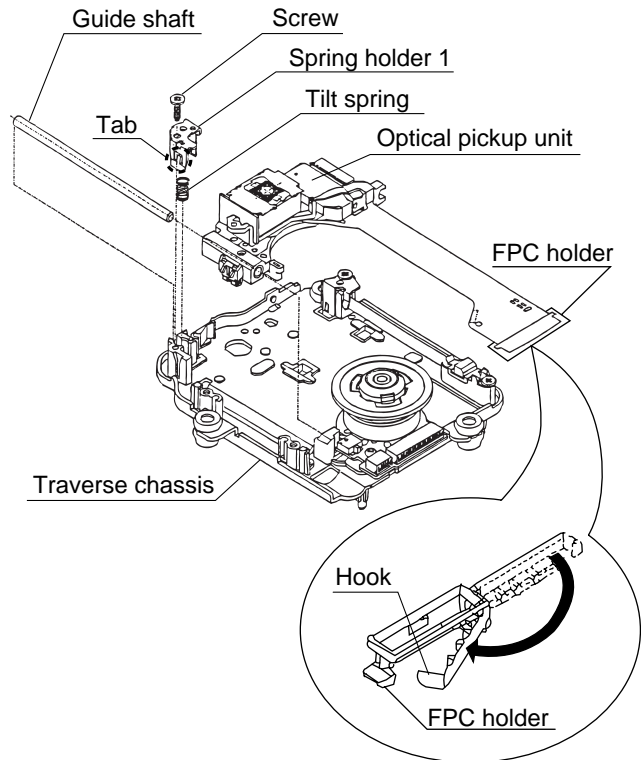
Be sure not to lose the spring.

4. Remove the guide shaft.

### Note

Be sure to adjust the optical pickup tilt after replacing the optical pickup.

(Refer to page 2-13, Optical Pickup Tilt Adjustment.)

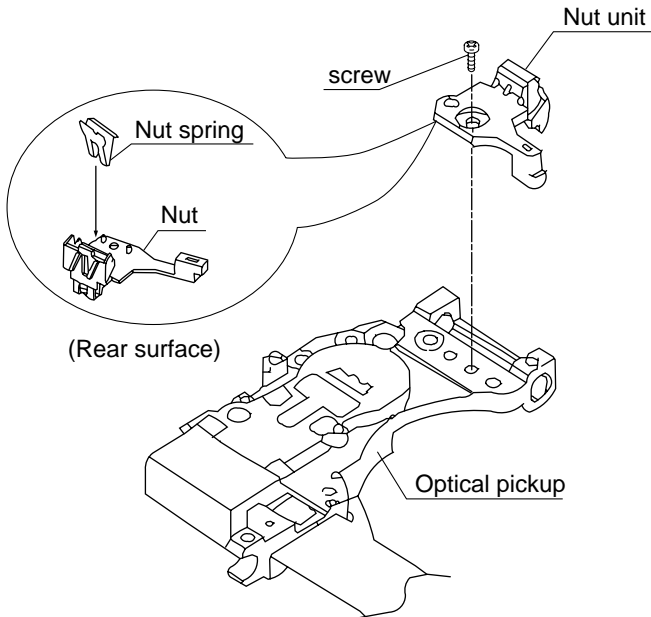


## 10. Disassembling the Nut Unit

1. Remove the screw.

### Notes

- The nut unit is not part of the optical pickup.
- Before replacing the optical pickup, remove the nut unit for use with the new optical pickup.
- After installation, use screw lock to lock the screw in position.
- When reassembling, use screw lock to lock the screw in position after attaching it.

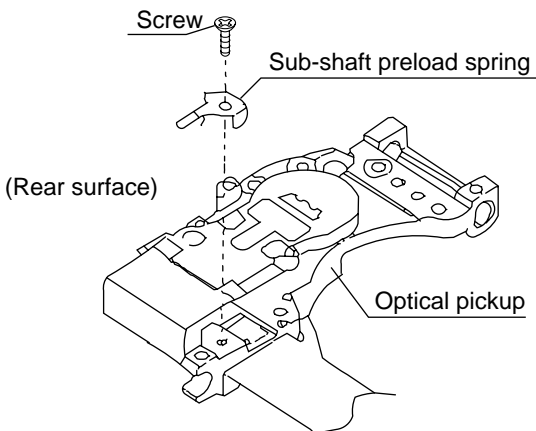


## 11. Disassembling the Sub-Shaft Preload Spring

1. Remove the screw.

### Notes

- Handle the sub-shaft preload spring carefully because the shape of the tip is easily deformed.
- The sub-shaft preload spring is not part of the optical pickup. Before replacing the optical pickup, remove the sub-shaft preload spring for use with the new optical pickup.
- After installation, use screw lock to lock the screw in position.

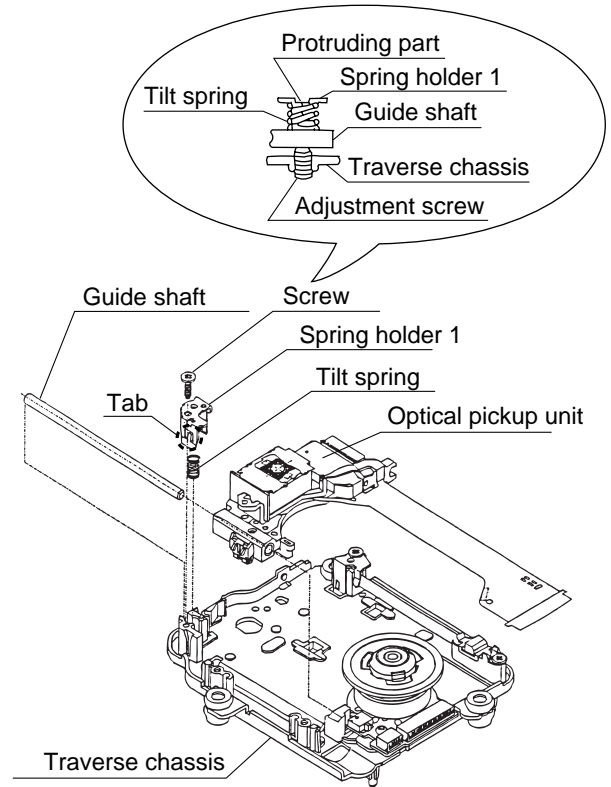


## 12. Assembling the Optical Pickup

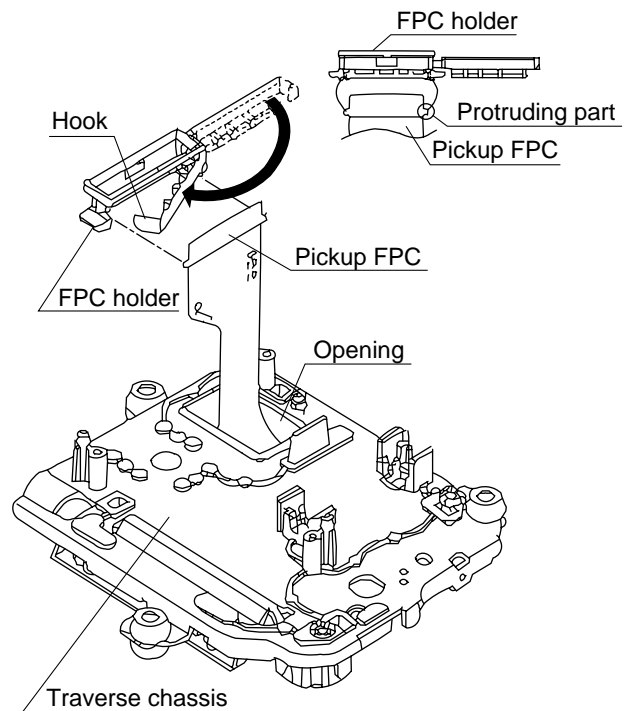
1. Install the optical pickup.

### Note

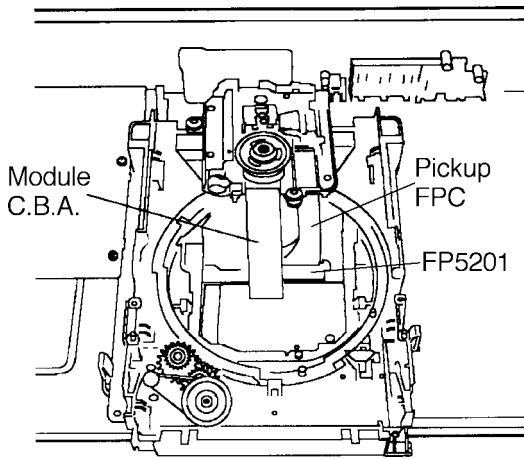
Take care not to attach the tilt spring and guide shaft in the wrong order.



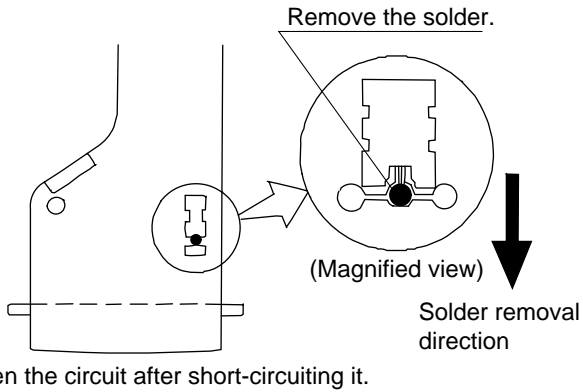
2. Fit the protruding part of the pickup FPC into the convex part of the FPC holder to install it.



3. Insert the pickup FPC into connector FP5201 on the module C.B.A.



4. Remove the solder from the pickup FPC's soldered short-circuit



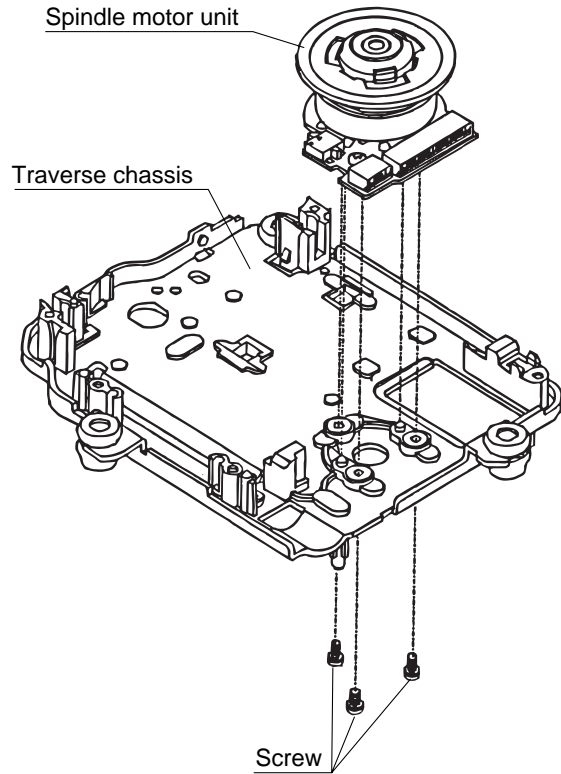
5. Adjust the optical pickup tilt after removing the solder.  
(Refer to page 2-13, Optical Pickup Tilt Adjustment.)

## 13. Disassembling the Spring Motor Unit

1. Remove the three screw.

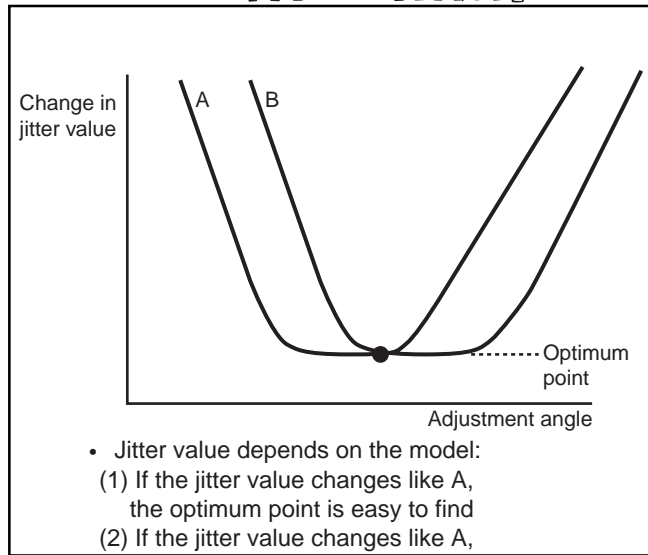
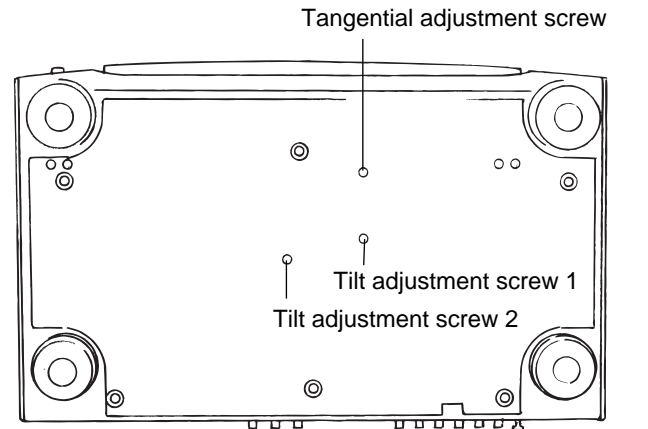
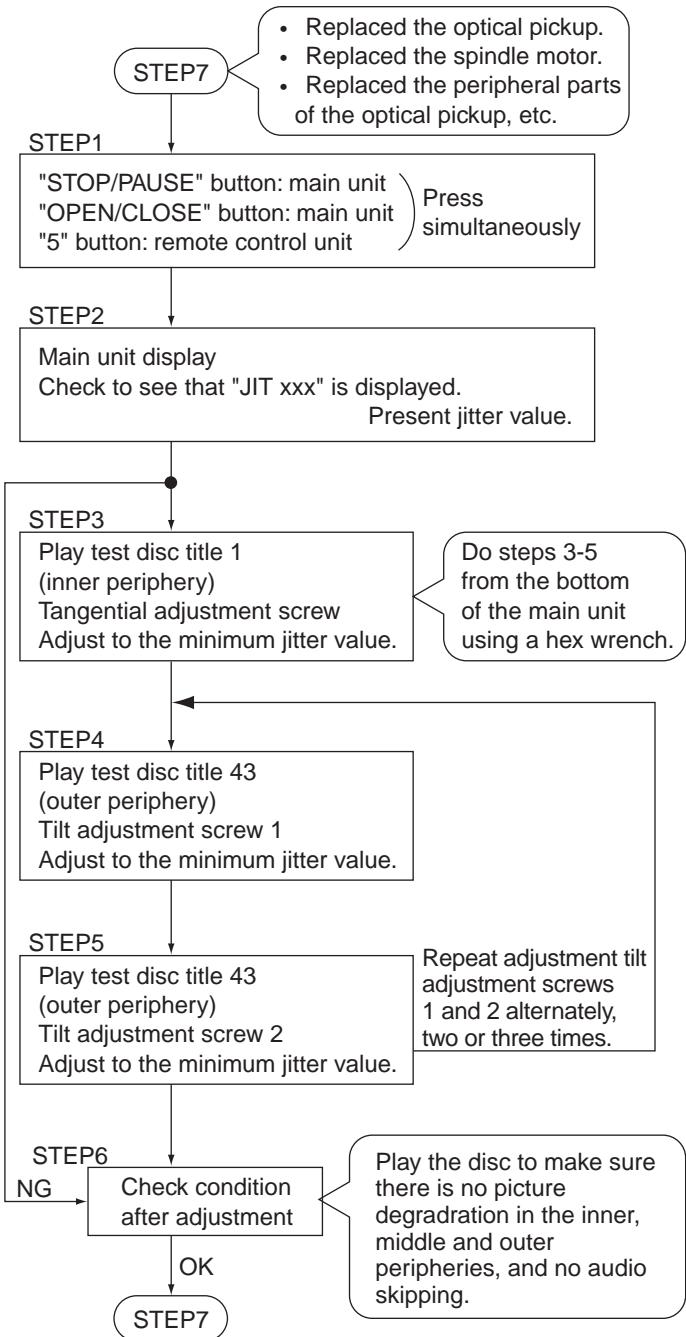
### Note

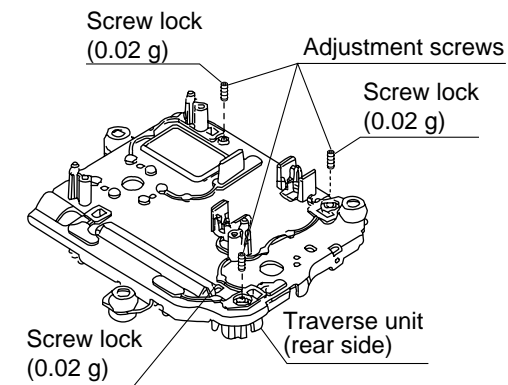
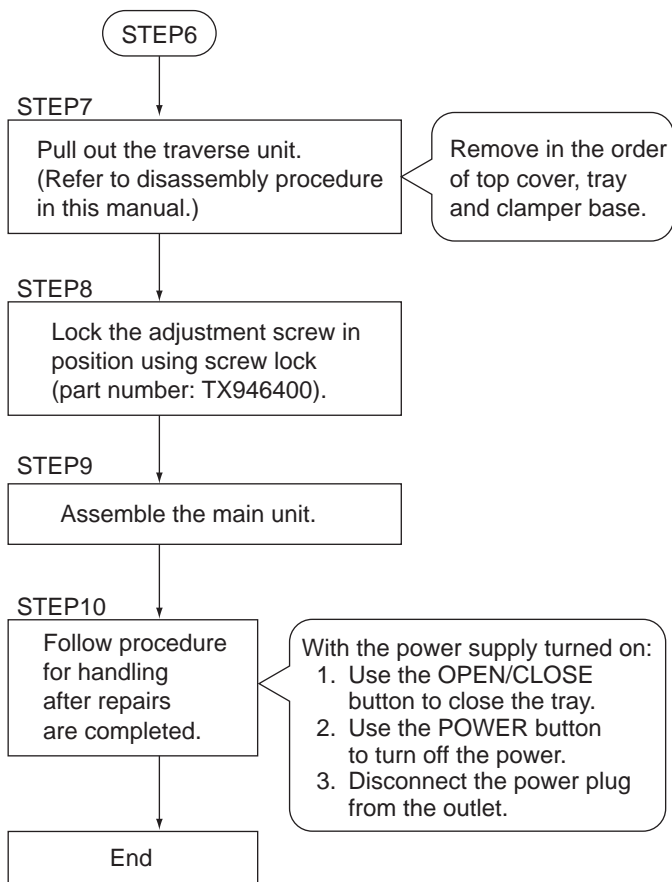
Be sure to adjust the optical pickup tilt after replacing the spindle motor unit.



# 14. Optical Pickup Tilt Adjustment

Measurement point	Adjustment point	Mode	Disc
Main unit service display	Tangential adjustment screw Tilt adjustment screw	T1 (inner periphery) play T2 (outer periphery) play	DVDT-S15 (AAX07320) or DVDT-S01 (TX946080)
Measuring equipment, tools		Adjustment value	
Hex wrench (part number: TX946380) Screw lock (part number: TX946400)		Adjust to the minimum jitter value.	





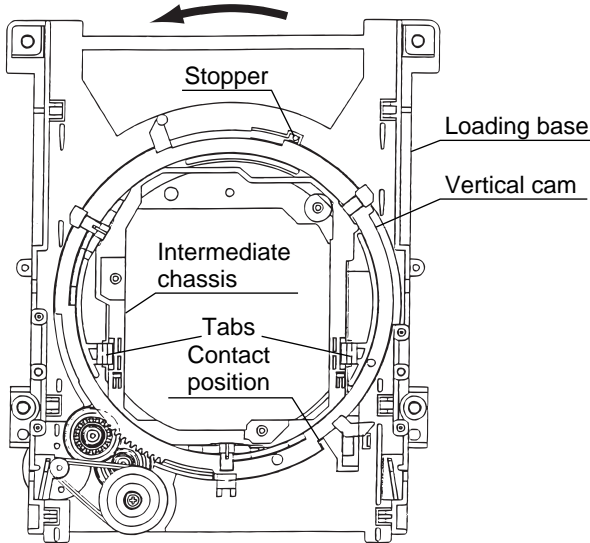
**Notes**

- Adjustment is generally unnecessary after replacing other parts of the traverse unit. However, adjust if there is a noticeable degradation in picture quality.
- Optical adjustments cannot be made inside the optical pickup.
- Adjustment is generally unnecessary after replacing the traverse unit.



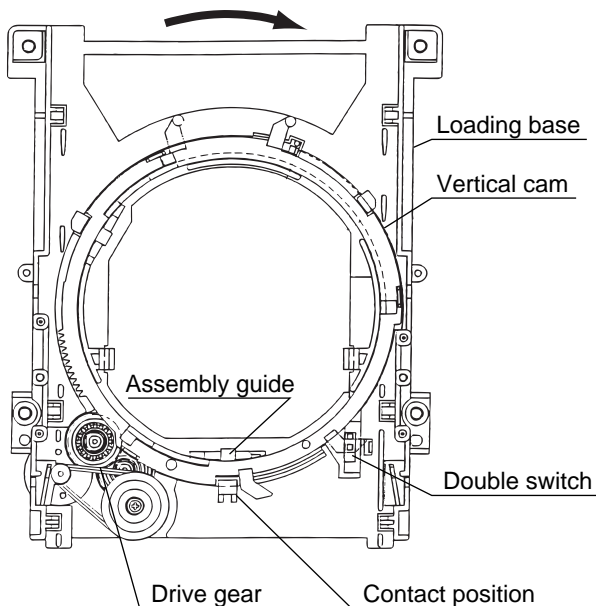
## 15. Disassembling the Intermediate Chassis

1. Push the stopper downward, then rotate it until it contacts the vertical cam.
2. Release the 2 tabs.



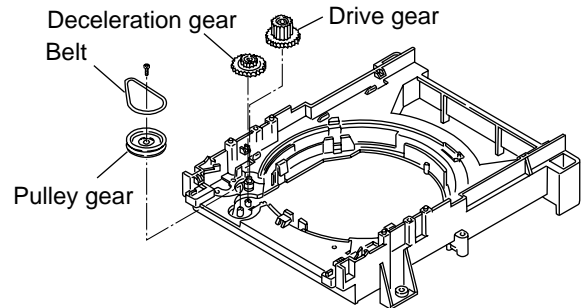
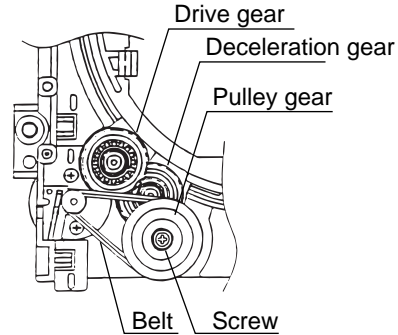
## 16. Disassembling the Vertical cam and Drive gear

1. Rotate the vertical cam until it reaches the contact position.
2. Lift the vertical cam straight upward to pull it out.
2. Remove the Drive gear.



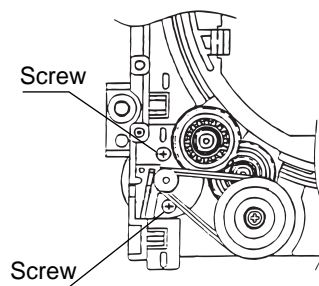
## 17. Disassembling the Pulley Gear and Deceleration Gear

1. Remove the screw.
2. Remove the pulley gear.
3. Remove the belt.
4. Remove the deceleration gear.



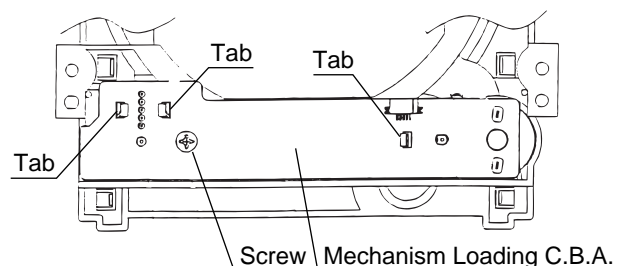
## 18. Disassembling the Mechanism Loading C.B.A.

1. Remove the 2 screw.



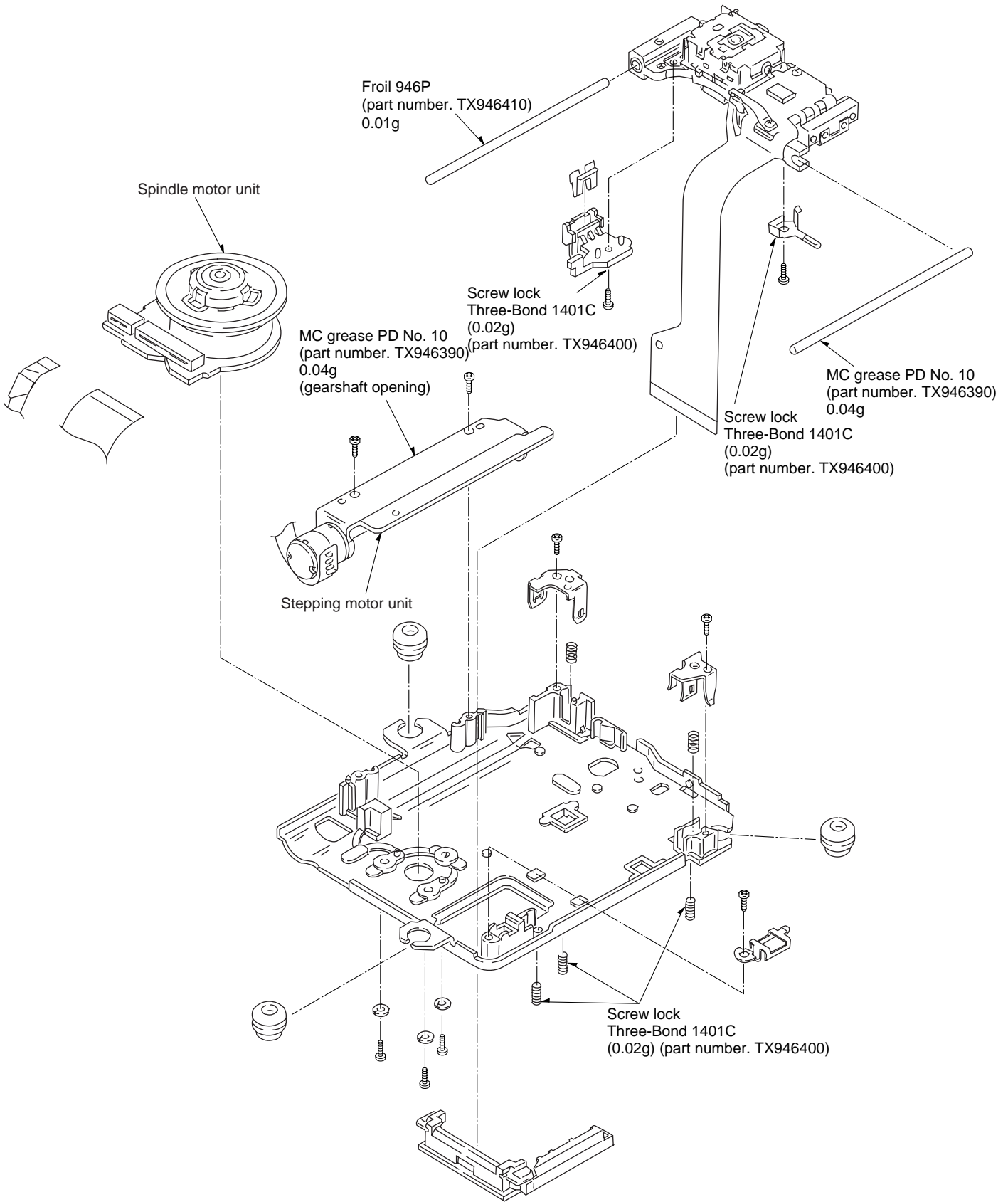
2. Remove the 2 screw.
3. Release the three tabs.

(Rear surface)



## 19. Lubricating the Optical Pickup and Peripheral Parts

When replacing parts, lubricate the parts marked "xxx" in the diagram.



DVD-S795/S705

# ELECTRICAL ADJUSTMENT

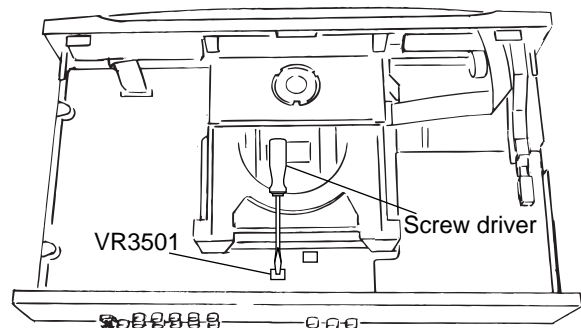
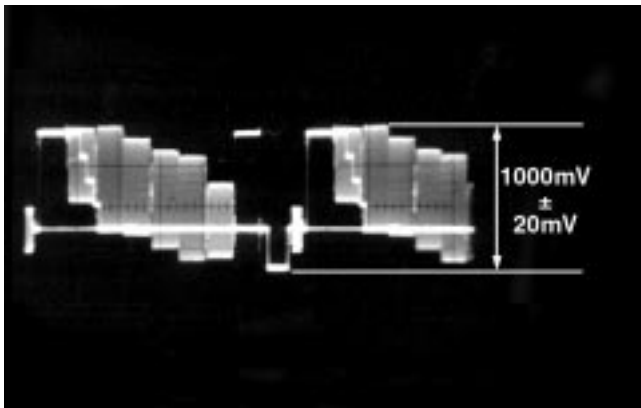
## 1. Video Output (Luminance Signal) Adjustment

Do this adjustment after replacing a C.B.A.

Measurement point	Adjustment point	Mode	Disc
Video output terminal	VR3501(mother C.B.A.)	Color bar 75% PLAY (Title 46): DVDT-S15 PLAY (Title 10): DVDT-S01	DVDT-S15 (AX07320) or DVDT-S01 (TX946080)
Measuring equipment, tools		Adjustment value	
Screwdriver, Oscilloscope 200mV/div, 10 sc/div		1000mVp-p±13mV	

**Purpose:** To maintain video signal output compatibility.

1. Connect the oscilloscope to the video output terminal and terminate at 75 ohms.
2. Adjust VR3501 so that the luminance signal (Y+S) level becomes 1000 mVp-p±20 mV.



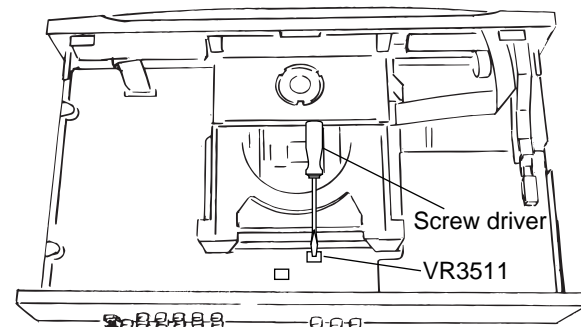
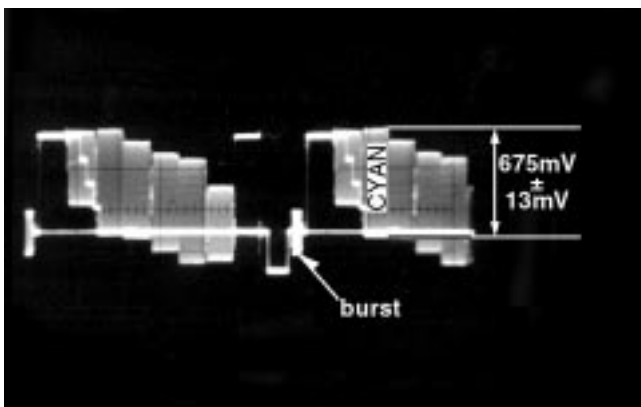
## 2. Video Output (Chrominance Signal) Adjustment

Do this adjustment after replacing a C.B.A.

Measurement point	Adjustment point	Mode	Disc
Video output terminal	VR3511(mother C.B.A.)	Color bar 75% PLAY (Title 46): DVDT-S15 PLAY (Title 10): DVDT-S01	DVDT-S15 (AX07320) or DVDT-S01 (TX946080)
Measuring equipment, tools		Adjustment value	
Screwdriver, Oscilloscope 200mV/div, 10 sc/div		675mVp-p±13mV	

**Purpose:** To maintain video signal output compatibility.

1. Connect the oscilloscope to the video output terminal and terminate at 75 ohms.
2. Adjust VR3511 so that the chrominance signal (C) level becomes 675 mVp-p±13 mV.



### 3. Video Component Signal (CB) Output Adjustment

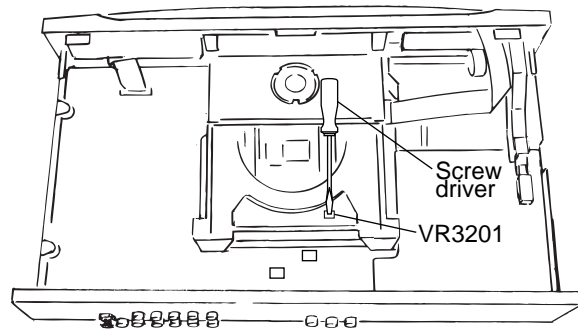
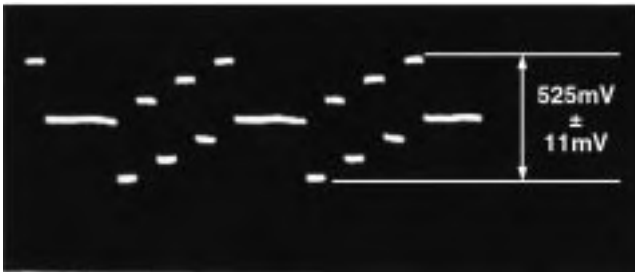
Do this adjustment after replacing a C.B.A.

Measurement point	Adjustment point	Mode	Disc
Video output terminal (Y) (CB) Output terminal	VR3201(mother C.B.A.)	Color bar 75% PLAY (Title 46): DVDT-S15 PLAY (Title 10): DVDT-S01	DVDT-S15 (AX07320) or DVDT-S01 (TX946080)
Measuring equipment, tools		Adjustment value	
Screwdriver, Oscilloscope 100mV/div, 10 sc/div		525mVp-p±11mV (B, A, G Models) 486mVp-p-10mV (U, C Models)	

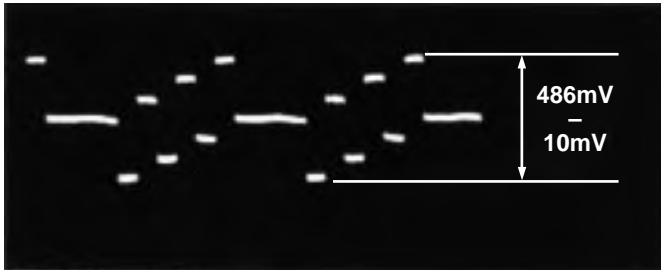
**Purpose:** To maintain video signal output compatibility.

1. Connect the oscilloscope to the video output terminal and terminate at 75 ohms.
2. Apply the trigger at the Y output terminal signal.
3. Adjust VR3201 so that the video component signal (CB) level becomes 525 mVp-p-11 mV. (B, A, G Models)/486mVp-p-10mV(U, C Models)

For B, A, G Models



For U, C Models



### SECTION3 ABBREVIATIONS

INITIAL/LOGO		ABBREVIATIONS	
A	A0-UP	ADDRESS	
	ACLK	AUDIO CLOCK	
	AD0-UP	ADDRESS BUS	
	ADATA	AUDIO PES PACKET DATA	
	ALE	ADDRESS LATCH ENABLE	
	AMUTE	AUDIO MUTE	
	AREQ	AUDIO PES PACKET REQUEST	
	ARE	AUDIO RF	
	ASI	SERVO AMP INVERTED INPUT	
	ASO	SERVO AMP OUTPUT	
	ASync	AUDIO WORD DISTINCTION SYNC	
	B	BCK	BIT CLOCK (PCM)
BCKIN		BIT CLOCK INPUT	
BDO		BLACK DROP OUT	
BLKCK		SUB CODE BLOCK CLOCK	
BOTTOM		CAP. FOR BOTTOM HOLD	
BYP		BYPATH	
BYTCK		BYTE CLOCK	
C	CAV	CONSTANT AUGULAS VELOCITY	
	CBDO	CAP. BLACK DROP OUT	
	CD	COMPACT DISC	
	CDSCK	CD SERIAL DATA CLOCK	
	CDSRDATA	CD SERIAL DATA	
	CDRF	CD RF (EFM) SIGNAL	
	CDV	COMPACT DISC-VIDEO	
	CHNDATA	CHANNEL DATA	
	CKSL	SYSTEM CLOCK SELECT	
	CLV	CONSTANT LINEAR VELOCITY	
	COFTR	CAP. OFF TRACK	
	CPA	CPU ADDRESS	
	CPCS	CPU CHIP SELECT	
	CPDT	CPU DATA	
	CPUADR	CPU ADDRESS LATCH	
	CPUADT	CPU ADDRESS DATA BUS	
	CPUIRQ	CPU INTERRUPT REQUEST	
	CPRD	CPU READ ENBLE	
	CPWR	CPU WRITE ENABLE	
	CS	CHIP SELECT	
	CSyncIN	COMPOSITE SYNC IN	
	CSyncOUT	COMPOSITE SYNC OUT	
	D	DACCK	D/A CONVERTER CLOCK
		DEEMP	DEEMPHASIS BIT ON/OFF
DEMPH		DEEMPHASIS SWITCHING	
DIG0-UP		FL DIGIT OUTPUT	
DIN		DATA INPUT	
DMSRCK		DM SERIAL DATA READ CLOCK	
DMUTE		DIGITAL MUTE CONTROL	
DO		DROP OUT	
DOUT0-UP		DATA OUTPUT	
DRF		DATA SLICE RF (BIAS)	
DRPOUT		DROP OUT SIGNAL	
DREQ		DATA REQUEST	
DRESP		DATA RESPONSE	
DSC		DIGITAL SERVO CONTROLLER	
DSLIF		DATA SLICE LOOP FILTER	
DVD		DIGITAL VIDEO DISC	

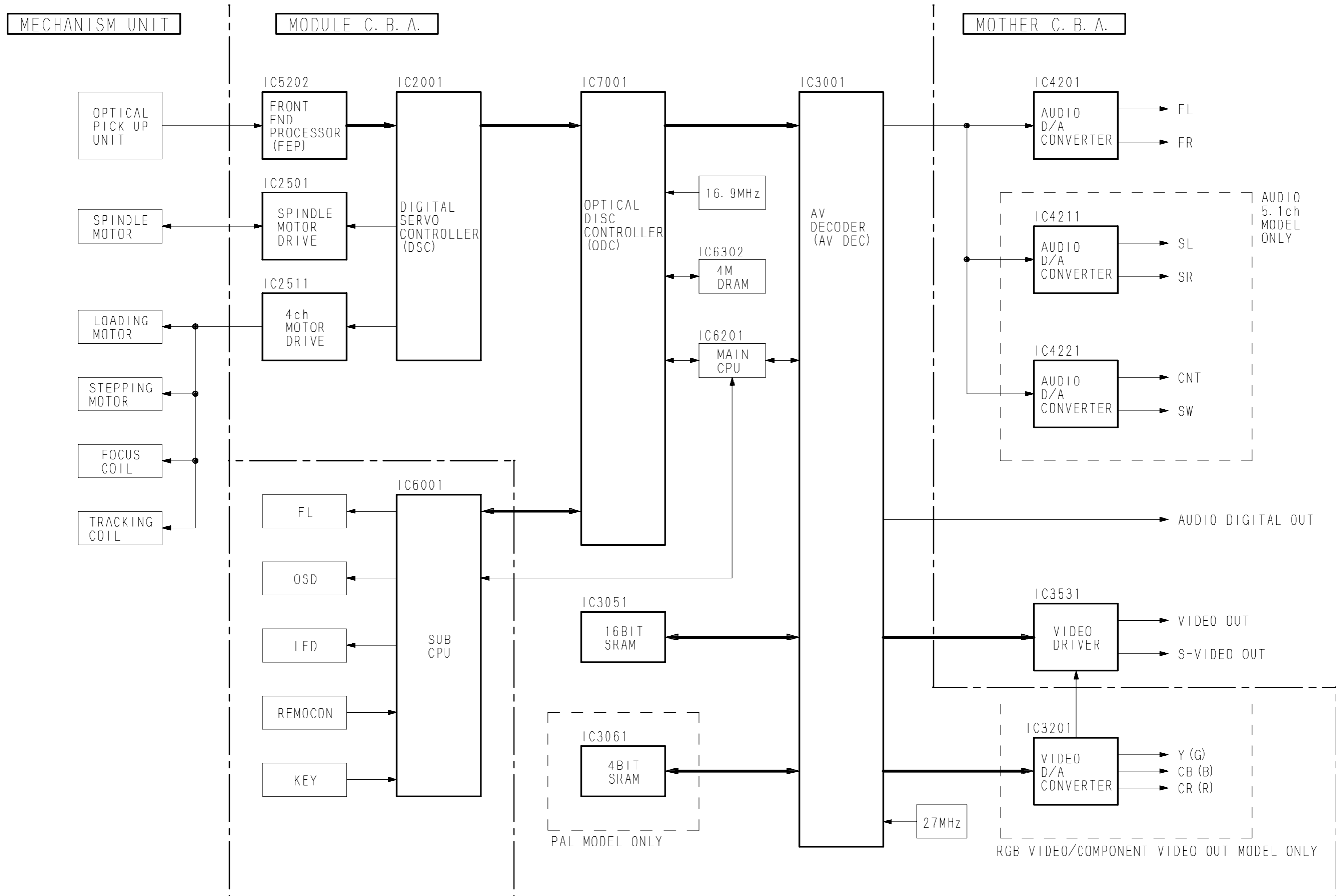
INITIAL/LOGO		ABBREVIATIONS
E	EC	ERROR TORQUE CONTROL
	ECR	ERROR TORQUE CONTROL REFERENCE
	ENCSEL	ENCODER SELECT
	ETMCLK	EXTERNAL M CLOCK (81MHz/40.5MHz)
F	ETSCLK	ETSCLK EXTERNAL S CLOCK (54MHz)
	FBALFCLK	FOCUS BALANCEFRAME CLOCK
	FE	FOCUS ERROR
	FFI	FOCUS ERROR AMP INVERTED INPUT
	FEO	FOCUS ERROR AMP OUTPUT
	FG	FREQUENCY GENERATOR
FSC	FSC	FREQUENCY SUB CARRIER
	FSC	FS (384 OVER SAMPLING) CLOCK
G	GND	COMMON GROUNDING (EARTH)
H	HA0-UP	HOST ADDRESS
	HD0-UP	HOST DATA
	HINT	HOST INTERRUPT
	HRXW	HOST READ/WRITE
I	IECOUT	IEC958 FORMAT DATA OUTPUT
	IPFRAG	INTERPOLATION FLAG
	I (CURRENT)	I (CURRENT) RETERENCE
	IREF	INTERFACE MODE SELECT
L	LDONL	LASER DIODE CONTROL
	LPC	LASER POWER CONTROL
	LRCK	L CH/R CH DISTINCTION CLOCK
M	MA0-UP	MEMORY ADDRESS
	MCK	MEMORY CLOCK
	MCKI	MEMORY CLOCK INPUT
	MCLK	MEMORY SERIAL COMMAND CLOCK
	MDQ0-UP	MEMORY SERIAL COMMAND DATA
	MDQM	MEMORY DATA INPUT/OUTPUT
	MLD	MEMORY DATA I/O MASK
MPEG	MEMORY SERIAL COMMAND LOAD MOTION PICTURE IMAGE CODING EXPERT GROUP	
O	ODC	OPTICAL DISC CONTROLLER
	OFTR	OFF TRACKING
	OSCI	OSCILLATOR INPUT
	OSCO	OSCILLATOR OUTPUT
	OSD	ON SCREEN DISPLAY
P	P1-UP	PORT
	PCD	CD TRACKING PHASE DIFFERENCE
	PCK	PLL CLOCK
	PDVD	DVD TRACKING PHASE DIFFERENCE
	PEAK	CAP. FOR PEAK HOLD
	PLLCLKPLLO	CHANNEL PLL CLOCK
	K	PLL LOCK
	PWMCTL	PWM OUTPUT CONTROL
	PWMDA	PULSE WAVE MOTOR DRIVE A
	PWMOA, B	PULSE WAVE MOTOR OUT A, B

DVD-S795/S705

INITIAL/LOGO		ABBREVIATIONS
R	RE RFENV RFO RS RSEL RST RSV	READ ENABLE RF ENVELOPE RF PHASE DIFFERENCE OUTPUT (CD-ROM) REGISTER SELECT PF POLARITY SELECT RESET RESERVE
S	SBI0, 1 SBO0 SBT0, 1 SCK SCKR SCL SCLK SDA SEGO-UP SELCLK SEN SIN1, 2 SOUT1, 2 SPDI SPDO SPEN SPRCLK SPWCLK SQCK SQCX SRDATA SRMADR SRMDT0-7 SS STAT STCLK STD0-UP STENABLE STSEL STVALID SUBC SBCK SUBQ SYSCLK	SERIAL DATA INPUT SERIAL DATA OUTPUT SERIAL CLOCK SERIAL DATA CLOCK AUDIO SERIAL CLOCK RECEIVER SERIAL CLOCK SERIAL CLOCK SERIAL DATA FL SEGMENT OUTPUT SELECT CLOCK SERIAL PORT ENABLE SERIAL DATA IN SERIAL DATA OUT SERIAL PORT DATA INPUT SERIAL PORT DATA OUTPUT SERIAL PORT R/W ENABLE SERIAL PORT READ CLOCK SERIAL PORT WRITE CLOCK SUB CODE Q CLOCK SUB CODE Q DATA READ CLOCK SERIAL DATA SRAM ADDRESS BUS SRAM DATA BUS 0-7 START/STOP STATUS STREAM DATA CLOCK STREAM DATA STREAM DATA INPUT ENABLE STREAM DATA POLARITY SELECT STREAM DATA VALIDITY SUB CODE SERIAL SUB CODE CLOCK SUB CODE Q DATA SYSTEM CLOCK
T	TE TIBAL TID TIN TIP TIS TPSN TPSO TPSP TRCRS TRON TRSON	TRACKING ERROR BALANCE CONTROL BALANCE OUTPUT 1 BALANCE INPUT BALANCE INPUT BALANCE OUTPUT 2 OP AMP INPUT OP AMP OUTPUT OP AMP INVERTED INPUT TRACK CROSS SIGNAL TRACKING ON TRAVERSE SERVO ON

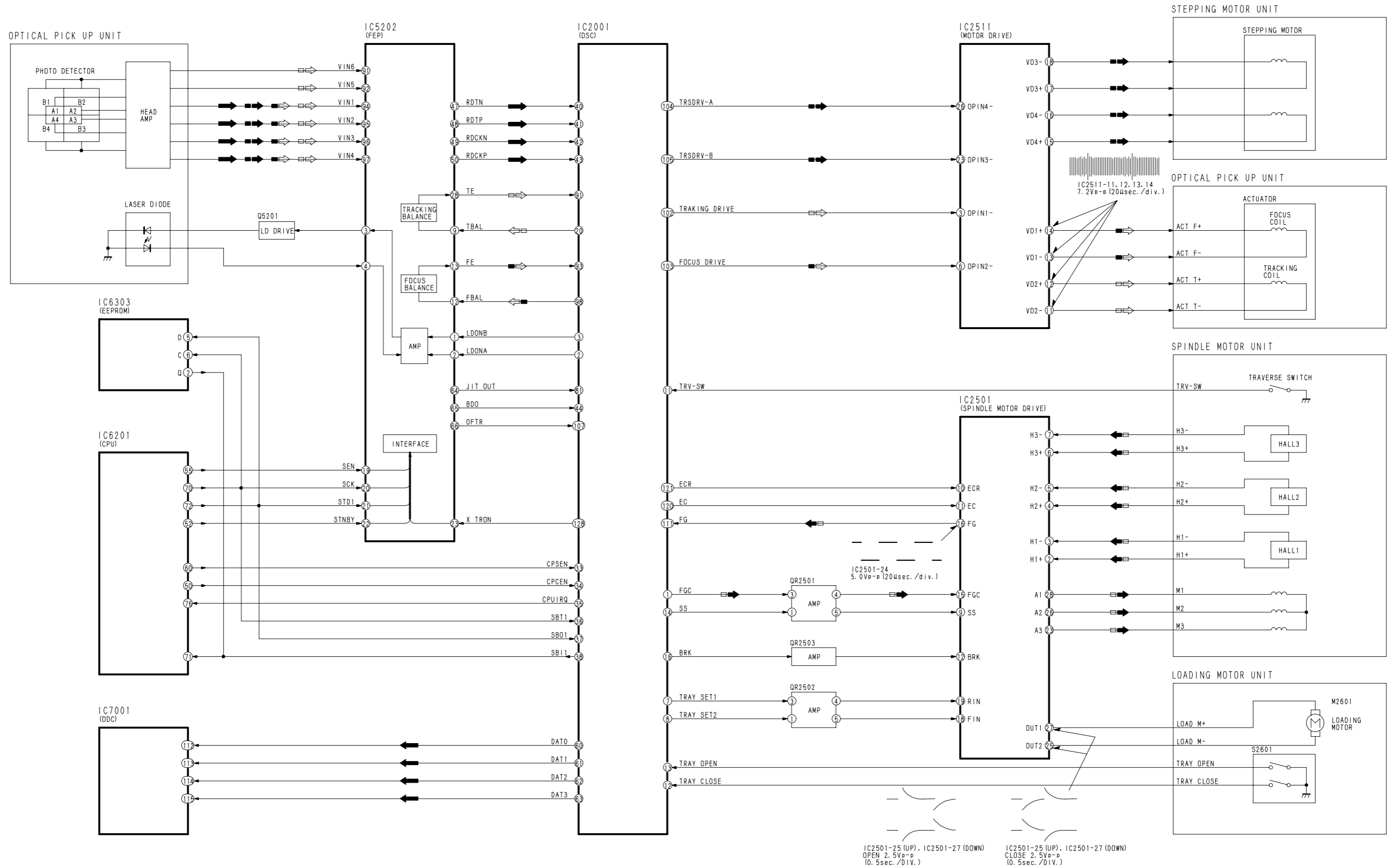
INITIAL/LOGO		ABBREVIATIONS
V	VBLANK VCC  VCDCONT  VDD VFB VREF VSS	V BLANKING COLLECTOR POWER SUPPLY VOLTAGE VIDEO CD CONTROL (TRACKING BALANCE) DRAIN POWER SUPPLY VOLTAGE VIDEO FEED BACK VOLTAGE REFERENCE SOURCE POWER SUPPLY VOLTAGE
W	WAIT WDCK WEH WSR	BUS CYCLE WAIT WORD CLOCK WRITE ENABLE HIGH WORD SELECT RECEIVER
X	X XALE XAREQ XCDROM XCS XCSYNC XDS XHSYNCO XHINT XI XINT XMW XO XRE XSRMCE XSRMOE XSRMWE XVCS XVDS XVSYNCO	X' TAL X ADDRESS LATCH ENABLE X AUDIO DATA REQUEST X CD ROM CHIP SELECT X CHIP SELECT X COMPOSITE SYNC X DATA STROBE X HORIZONTAL SYNC OUTPUT XH INTERRUPT REQUEST X' TAL OSCILLATOR INPUT X INTERRUPT X MEMORY WRITE ENABLE X' TAL OSCILLATOR OUTPUT X READ ENABLE X SRAM CHIP ENABLE X SRAM OUTPUT ENABLE X SRAM WRITE ENABLE X V-DEC CHIP SELECT X V-DEC CONTROL BUS STROBE X VERTICAL SYNC OUTPUT

**BLOCK DIAGRAM**  
**1. OVERALL BLOCK DIAGRAM**



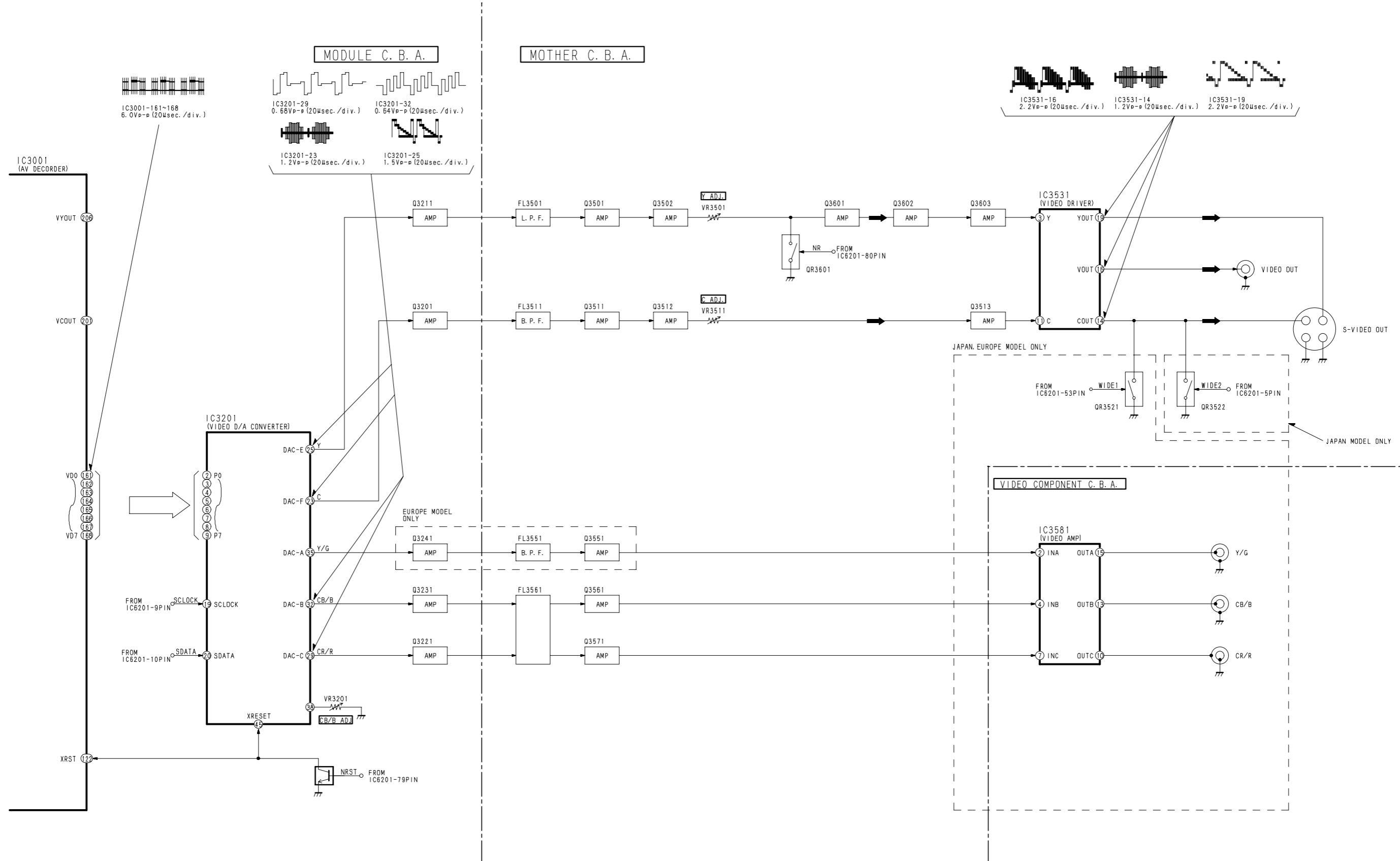
## 2. SERVO BLOCK DIAGRAM

RF SIGNAL   
  SPINDLE MOTOR DRIVE SIGNAL   
  STEPPING MOTOR DRIVE SIGNAL   
  TRACKING ERROR SIGNAL   
  FOCUS ERROR SIGNAL

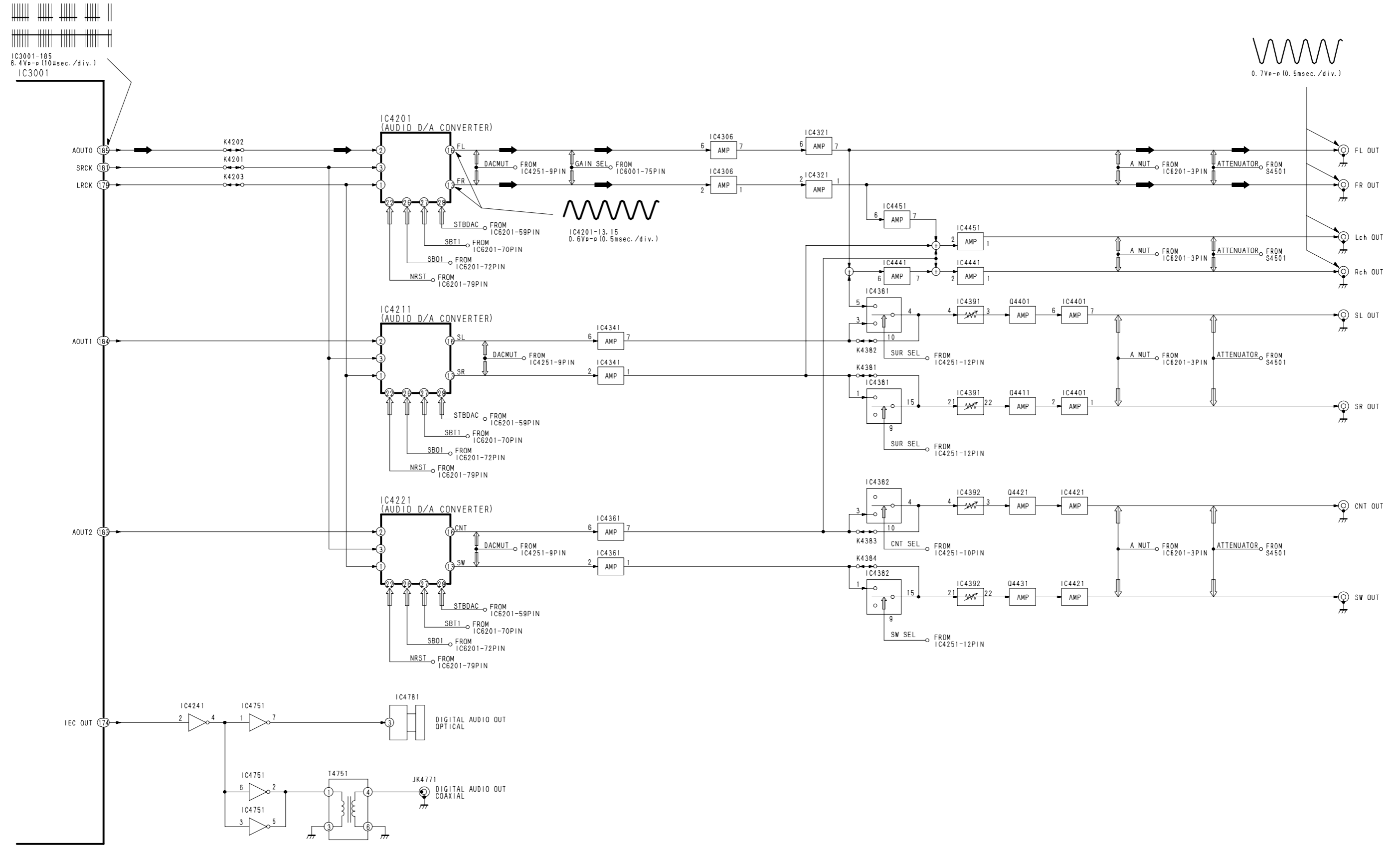




### 3. VIDEO BLOCK DIAGRAM



# 4. AUDIO BLOCK DIAGRAM




# SCHEMATIC DIAGRAM

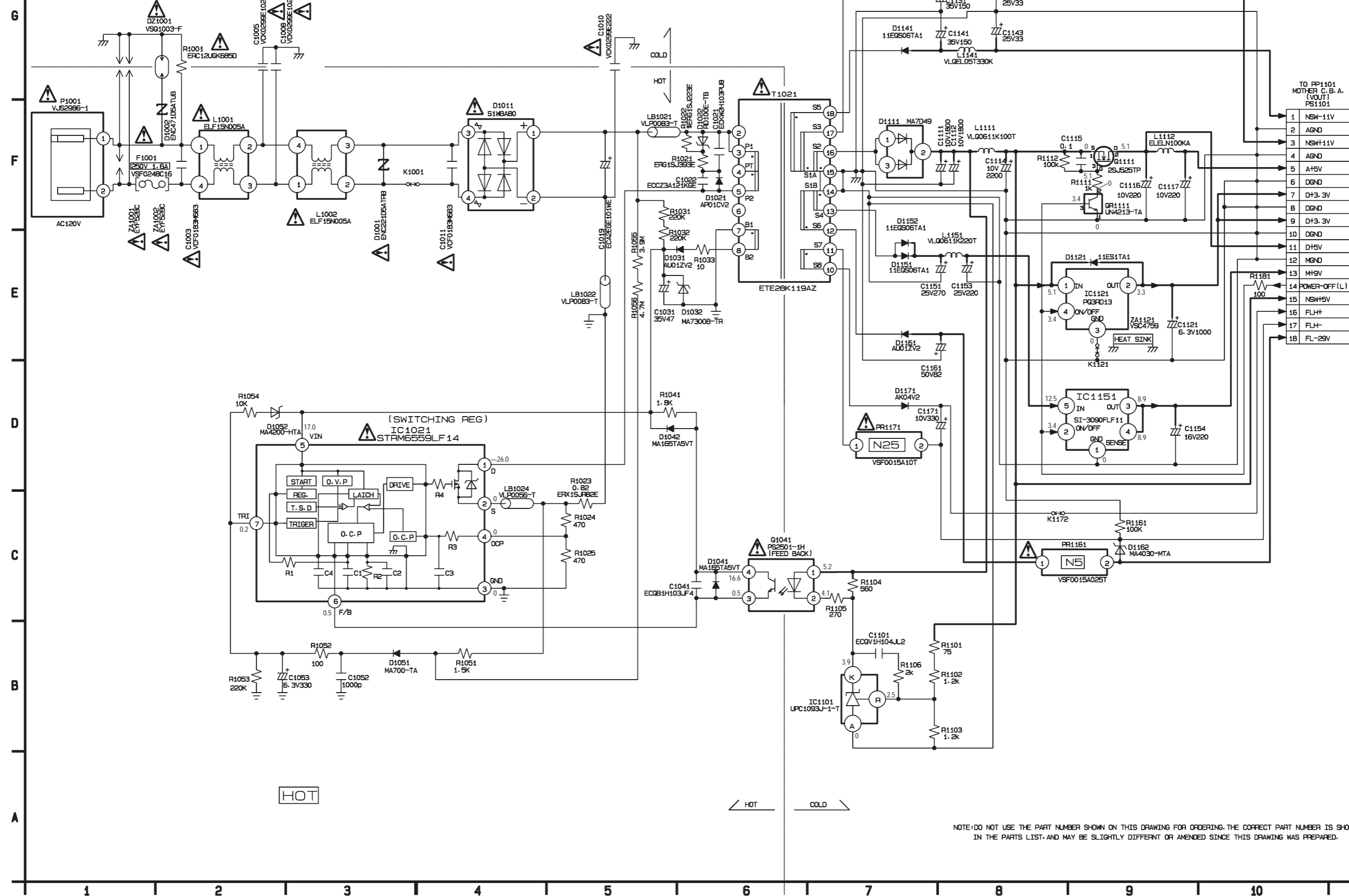
## 1. POWER SUPPLY SCHEMATIC DIAGRAM (FOR U, C MODELS)

**U, C MODELS**

**CAUTION**

THE  MARK INDICATES THE PRIMARY CIRCUIT TO DISTINGUISH THE PRIMARY FROM THE SECONDARY CIRCUIT. PAY ATTENTION NOT TO RECEIVE AN ELECTRIC SHOCK DURING REPAIR AND SERVICE OF THE PRODUCTS.

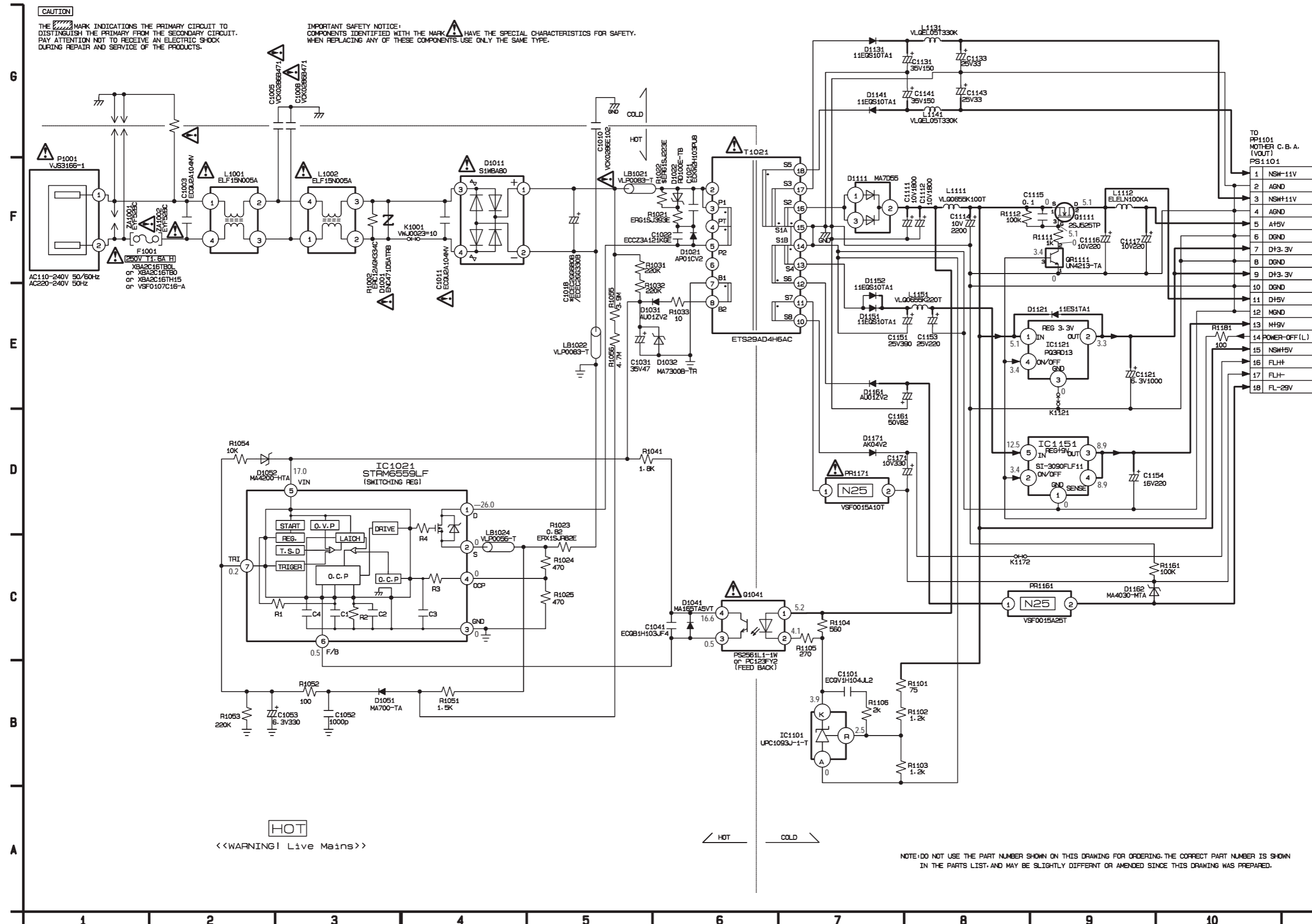
**IMPORTANT SAFETY NOTICE:** COMPONENTS IDENTIFIED WITH THE MARK  HAVE THE SPECIAL CHARACTERISTICS FOR SAFETY. WHEN REPLACING ANY OF THESE COMPONENTS, USE ONLY THE SAME TYPE.



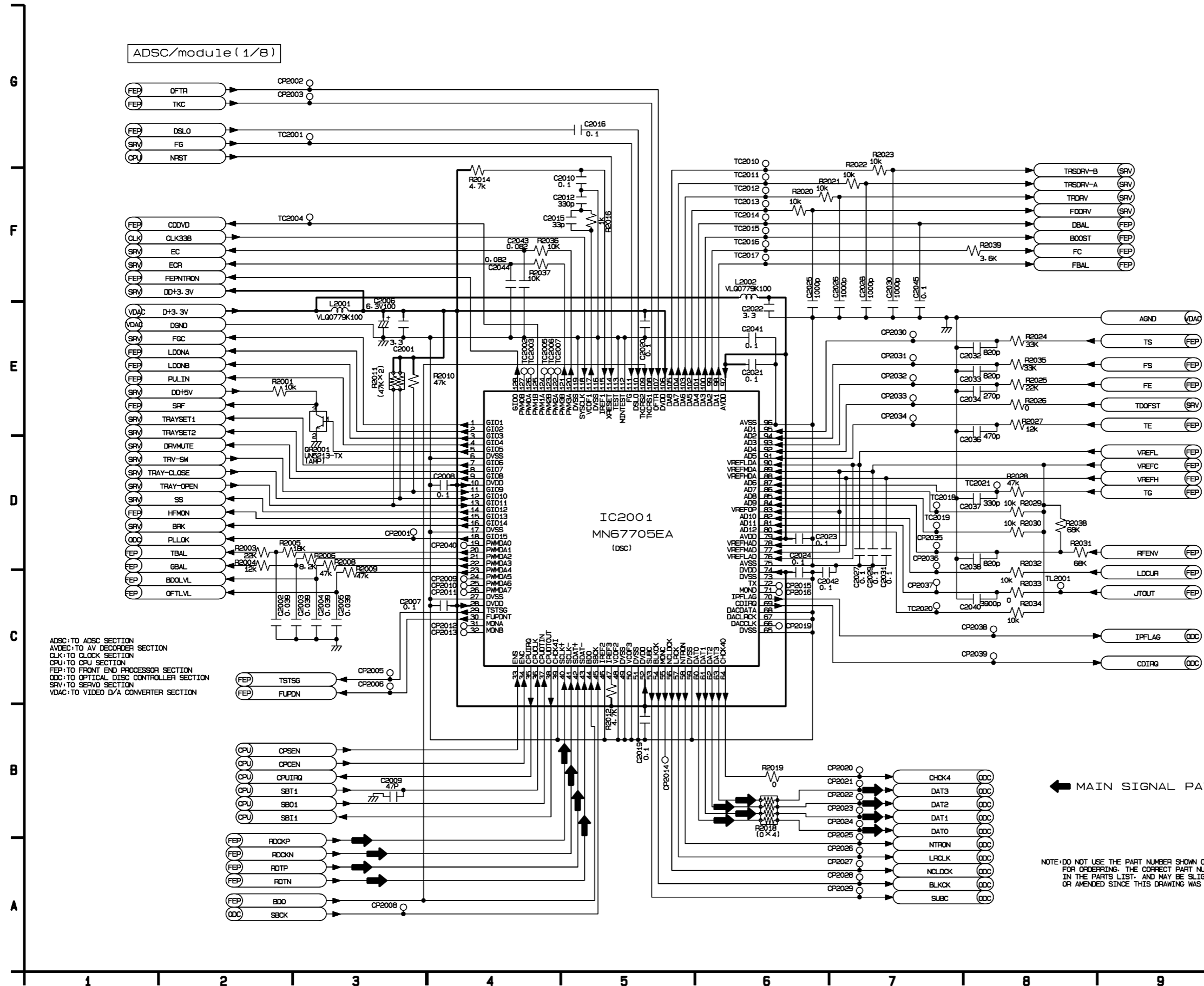
NOTE: DO NOT USE THE PART NUMBER SHOWN ON THIS DRAWING FOR ORDERING. THE CORRECT PART NUMBER IS SHOWN IN THE PARTS LIST, AND MAY BE SLIGHTLY DIFFERENT OR AMENDED SINCE THIS DRAWING WAS PREPARED.

## 2. POWER SUPPLY SCHEMATIC DIAGRAM (FOR B, G, A) MODELS

**B, G, A MODELS**



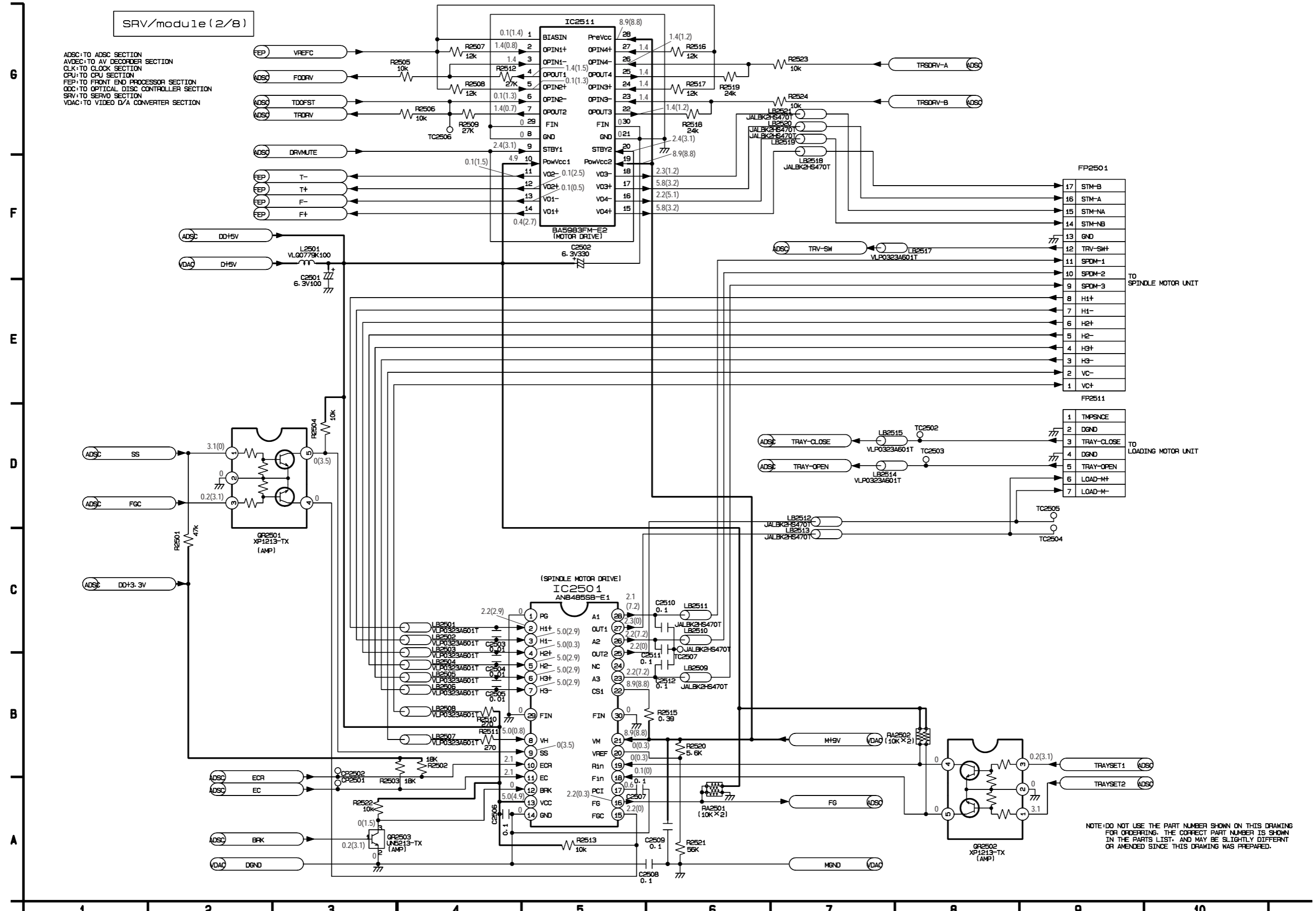
### 3. ADSC (MODULE C.B.A. 1/8) SCHEMATIC DIAGRAM



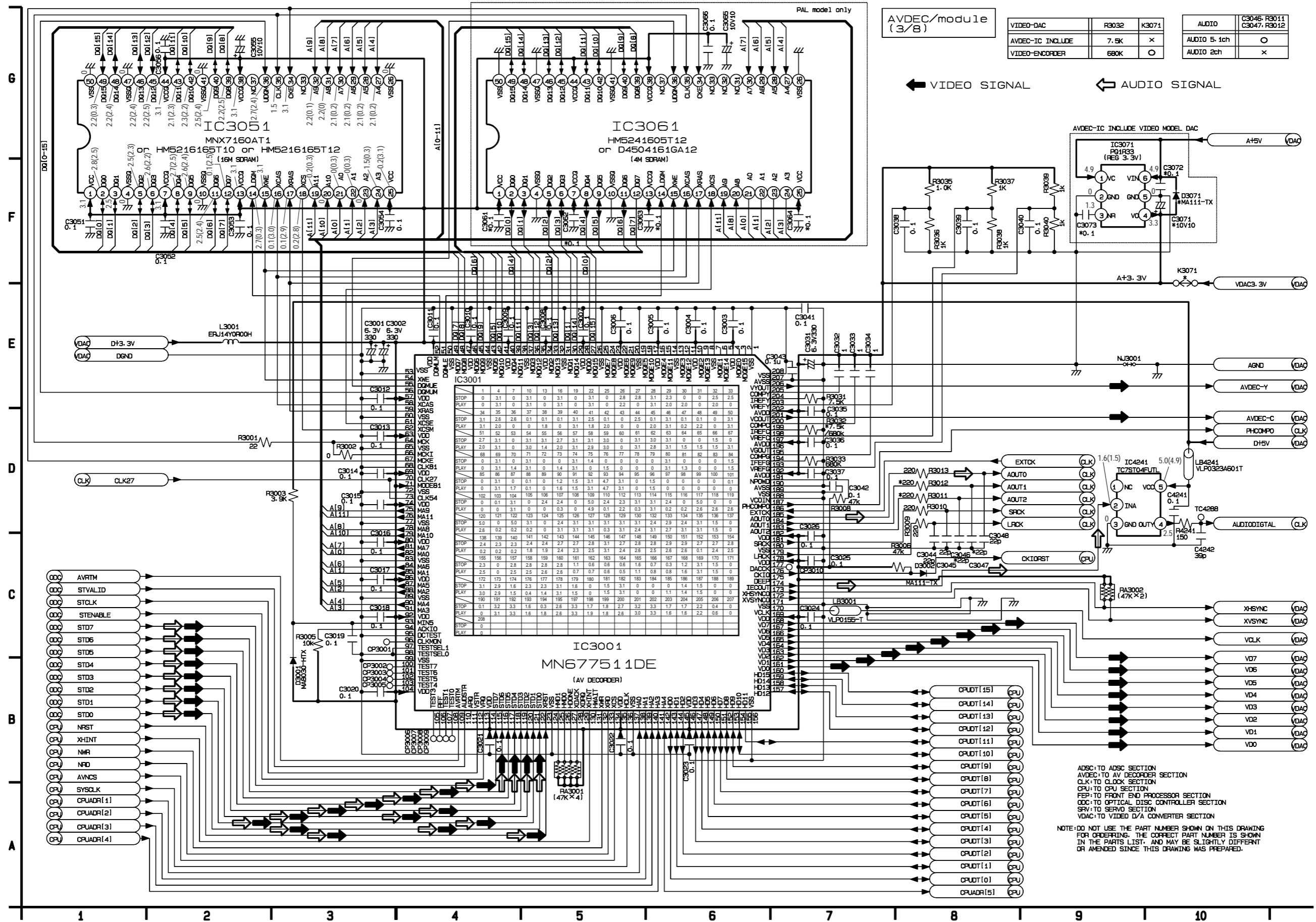
IC2001

	1	2	3	4	5	6	7
STOP	3.1	0	0	0	3.1	0	3.1
PLAY	3.1	0	0	0	3.1	0	3.1
STOP	8	9	10	11	12	13	14
PLAY	3.1	0	3.1	3.1	0	0.1	0.1
STOP	15	16	17	18	19	20	21
PLAY	0	3.1	0	0.1	0.1	0.1	1.6
STOP	3.1	0	0	3.1	1.5	1.8	1.5
PLAY	22	23	24	25	26	27	28
STOP	0.1	1.6	1.6	1.6	1.6	0	3.1
PLAY	1.8	1.5	1.5	1.5	1.5	0	3.1
STOP	29	30	31	32	33	34	35
PLAY	0	1.6	0.1	0.9	0	3.1	0
STOP	0	1.6	0	0	3.1	3.1	3.0
PLAY	36	37	38	39	40	41	42
STOP	0	0	0	0	0	1.6	0
PLAY	0	0	0	0	0	1.6	1.5
STOP	43	44	45	46	47	48	49
PLAY	0	0.2	0	0	0	0	0
STOP	50	51	52	53	54	55	56
PLAY	0	0	3.1	0	0	0	0
STOP	0	0	3.1	0	0	1.5	0
PLAY	57	58	59	60	61	62	63
STOP	0	0	0	1.5	0.2	1.5	0.2
PLAY	3.1	0	0	0	0	0.1	1.5
STOP	64	65	66	67	68	69	70
PLAY	0.2	0	0	0	0	3.1	3.1
STOP	1.5	0	0	0	0	3.1	3.1
PLAY	71	72	73	74	75	76	77
STOP	1.5	0	0	3.1	0	0	1.4
PLAY	1.4	0.1	0	3.1	0.1	0.5	0.1
STOP	78	79	80	81	82	83	84
PLAY	0	0	0	1.3	0	0	0
STOP	0	0	0	1.1	1.4	0.1	0.1
PLAY	85	86	87	88	89	90	91
STOP	1.4	0	1.4	0	1.4	0.6	1.4
PLAY	0.1	1.4	1.3	2.1	1.4	0.6	1.4
STOP	92	93	94	95	96	97	98
PLAY	1.4	1.4	1.4	0	0	3.1	0.1
STOP	1.4	1.4	1.2	1.2	0	3.1	1.5
PLAY	99	100	101	102	103	104	105
STOP	0.1	1.6	0.1	1.4	1.4	1.4	1.4
PLAY	1.9	1.6	1.4	1.3	1.4	1.6	0.3
STOP	106	107	108	109	110	111	112
PLAY	3.1	0.1	0.1	0.1	1.5	0.1	0
STOP	3.1	0.2	1.4	0.2	0.2	1.4	0
PLAY	113	114	115	116	117	118	119
STOP	0	3.1	0.1	0	0.1	1.4	0
PLAY	0	3.1	2.3	0	1.2	1.4	0
STOP	120	121	122	123	124	125	126
PLAY	1.6	0.1	0	0.1	0.4	0.1	0.1
STOP	1.5	1.6	0	0	0.6	0	0
PLAY	127	128					
STOP	0	3.1					
PLAY	0	0					

# 4. SERVO (MODULE C.B.A. 2/8) SCHEMATIC DIAGRAM



# 5. AV DECODER (MODULE C.B.A. 3/8) SCHEMATIC DIAGRAM



AVDEC/module (3/8)		R3032	K3071	AUDIO	
VIDEO-DAC	AVDEC-IC INCLUDE	7.5K	X	AUDIO	C3046, R3011 C3047, R3012
VIDEO-ENCODER		680K	O	AUDIO 5-1ch	O
				AUDIO 2ch	X

← VIDEO SIGNAL      ← AUDIO SIGNAL

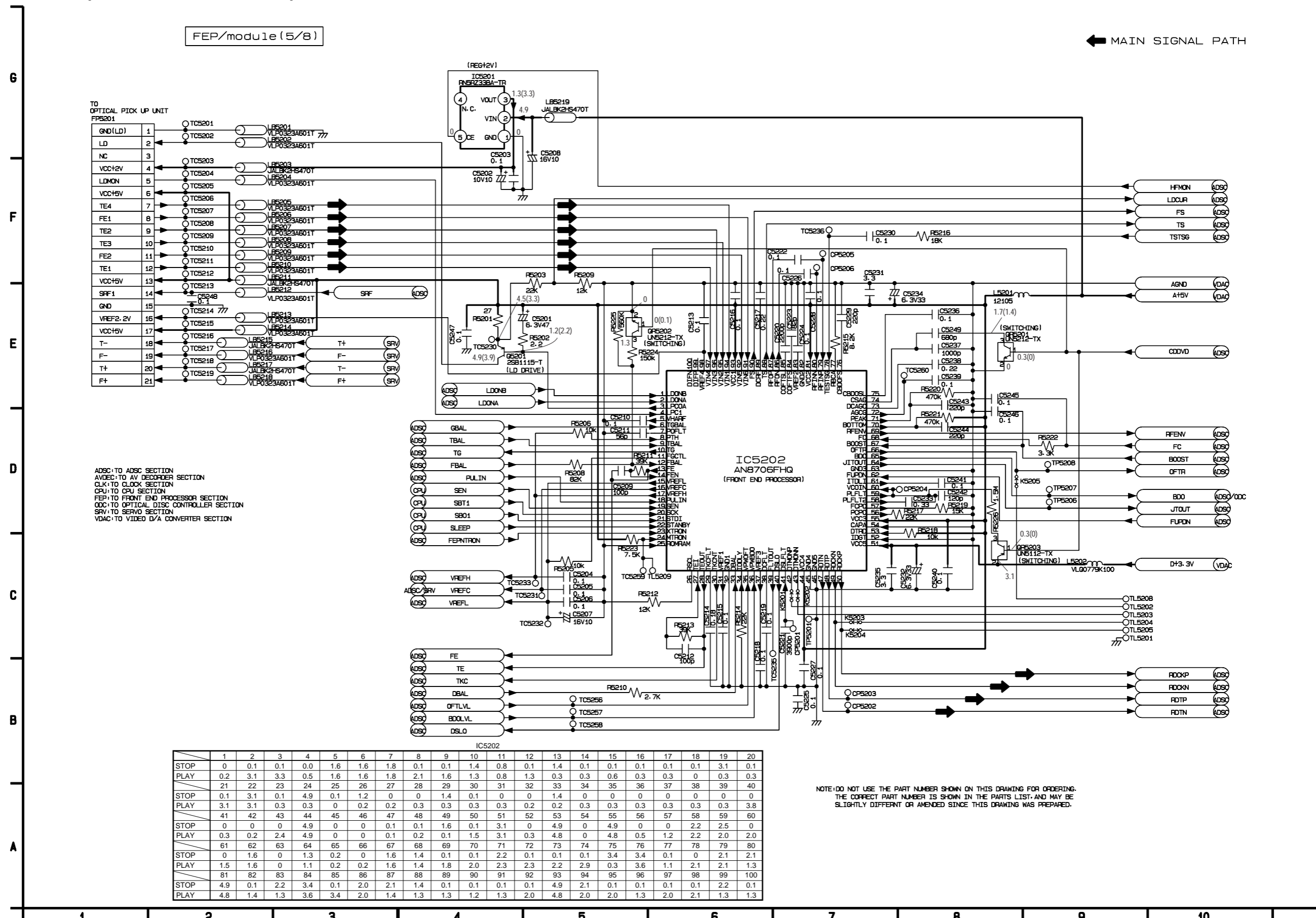
ADSC: TO ADSC SECTION  
 AVDEC: TO AV DECODER SECTION  
 CLK: TO CLOCK SECTION  
 CPU: TO CPU SECTION  
 FEP: TO FRONT END PROCESSOR SECTION  
 ODC: TO OPTICAL DISC CONTROLLER SECTION  
 SRV: TO SERVO SECTION  
 VDAC: TO VIDEO D/A CONVERTER SECTION

NOTE: DO NOT USE THE PART NUMBER SHOWN ON THIS DRAWING FOR ORDERING. THE CORRECT PART NUMBER IS SHOWN IN THE PARTS LIST, AND MAY BE SLIGHTLY DIFFERENT OR AMENDED SINCE THIS DRAWING WAS PREPARED.

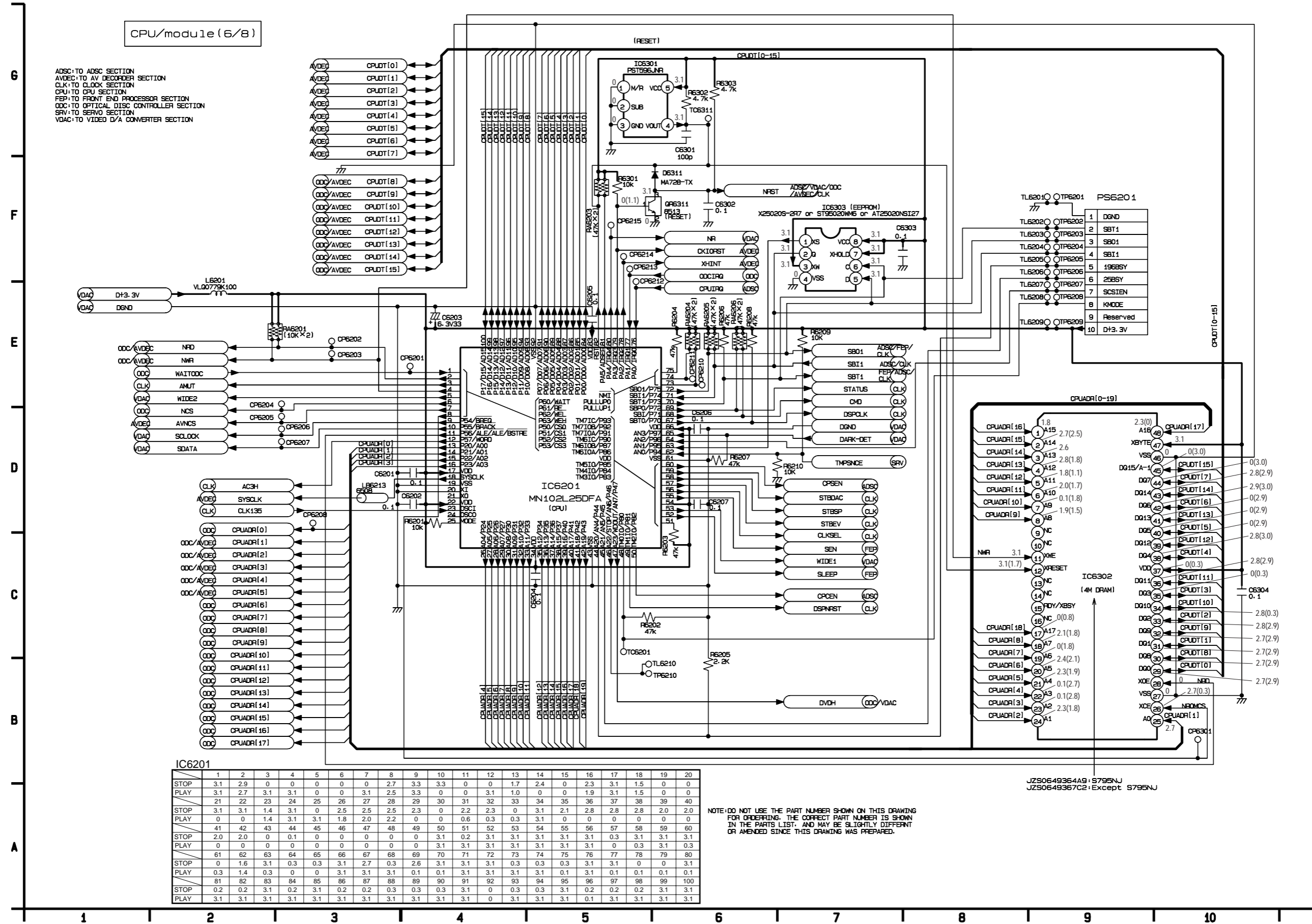




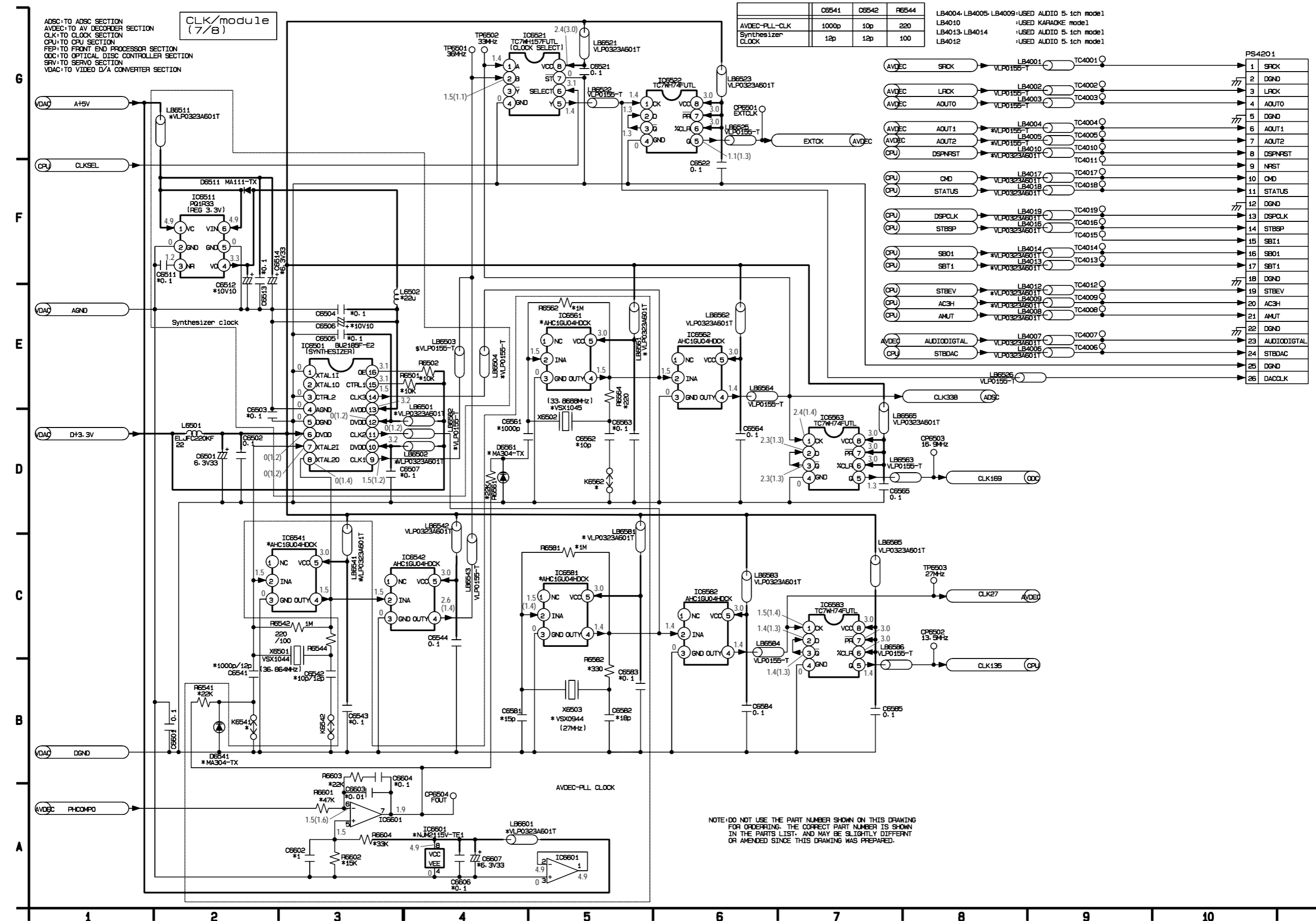
# 7. FEP (MODULE C.B.A. 5/8) SCHEMATIC DIAGRAM



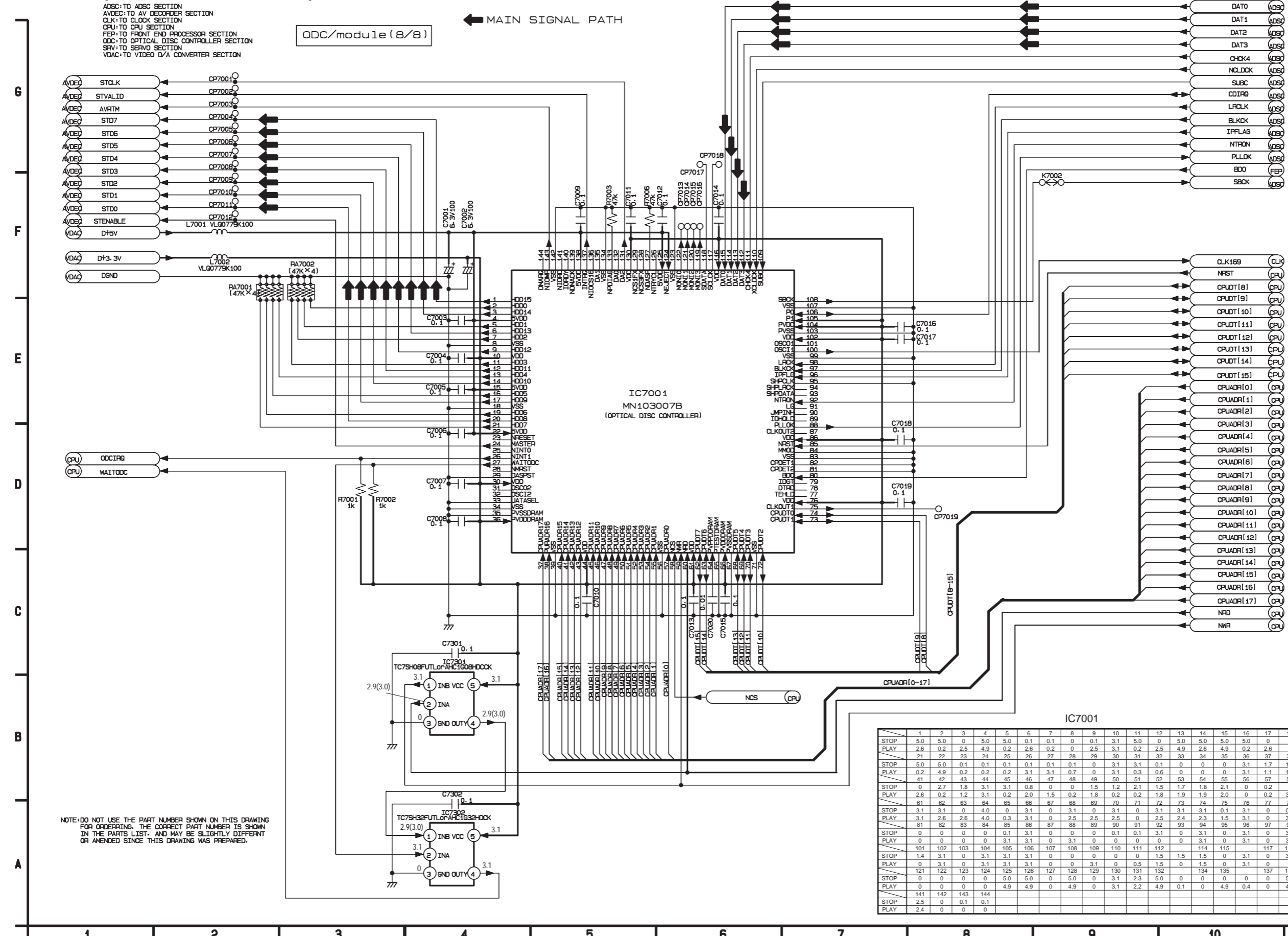
# 8. CPU (MODULE C.B.A. 6/8) SCHEMATIC DIAGRAM



# 9. CLOCK (MODULE C.B.A. 7/8) SCHEMATIC DIAGRAM



# 10. ODC (MODULE C.B.A. 8/8) SCHEMATIC DIAGRAM



ADSC: TO ADSC SECTION  
 AVDEC: TO AV DECORDER SECTION  
 CLK: TO CLOCK SECTION  
 CPU: TO CPU SECTION  
 FEP: TO FRONT END PROCESSOR SECTION  
 ODC: TO OPTICAL DISC CONTROLLER SECTION  
 SRV: TO SERVO SECTION  
 VDAC: TO VIDEO D/A CONVERTER SECTION

ODC/module (8/8)

← MAIN SIGNAL PATH

(CPU) ODCIRG  
 (CPU) WAITODC

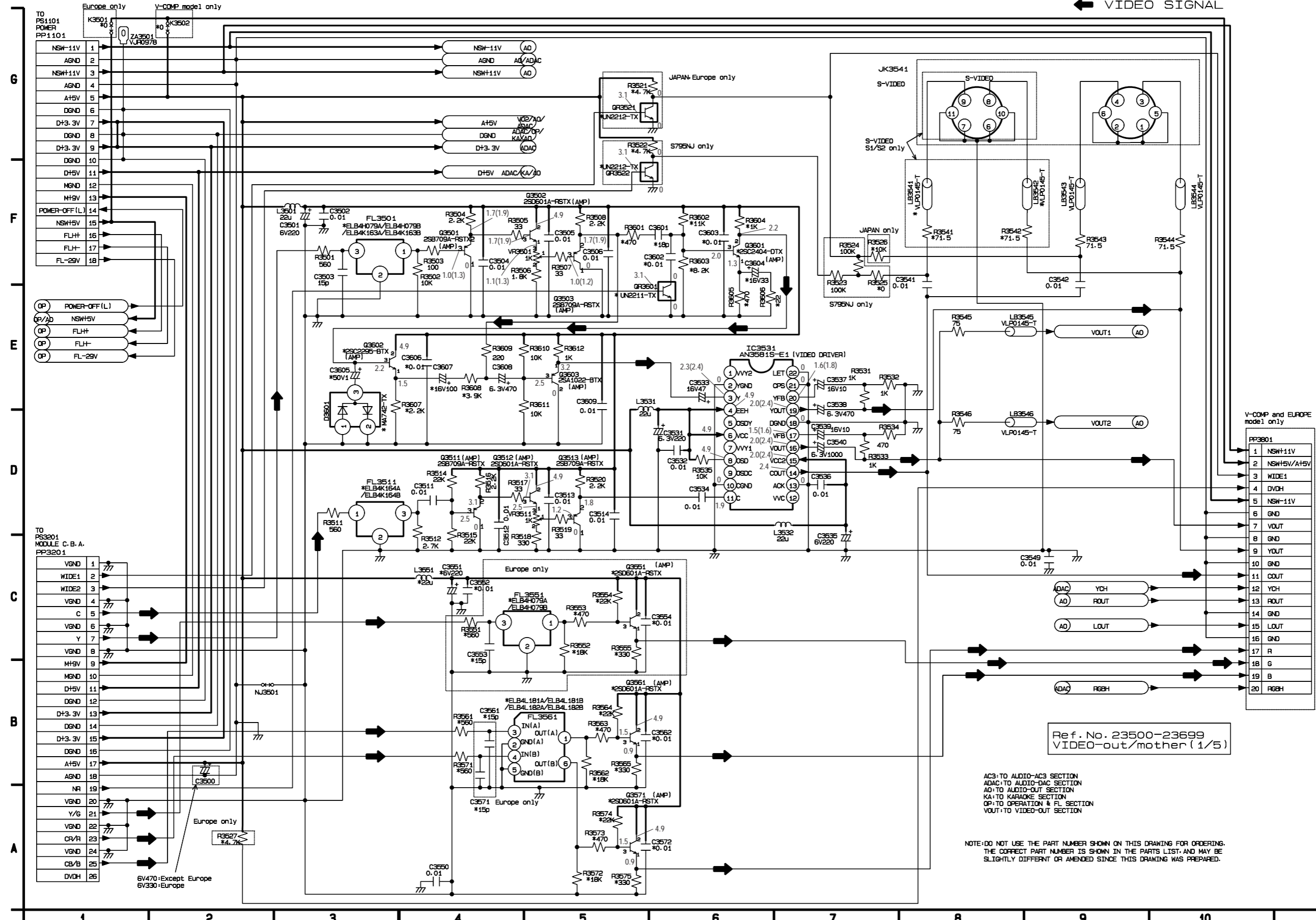
NOTE: DO NOT USE THE PART NUMBER SHOWN ON THIS DRAWING FOR ORDERING. THE CORRECT PART NUMBER IS SHOWN IN THE PARTS LIST, AND MAY BE SLIGHTLY DIFFERENT OR AMENDED SINCE THIS DRAWING WAS PREPARED.

IC7001

STOP	5.0	5.0	0	5.0	5.0	0.1	0.1	0	0.1	3.1	5.0	0	5.0	5.0	5.0	0	0	5.0	5.0	
PLAY	2.6	0.2	2.5	4.9	0.2	2.6	0.2	0	2.5	3.1	0.2	2.5	4.9	2.6	4.9	0.2	2.6	0	0.2	2.6
STOP	5.0	5.0	0.1	0.1	0.1	0.1	0.1	0	3.1	3.1	0.1	0	0	0	3.1	1.7	1.7	0	2.7	
PLAY	0.2	4.9	0.2	0.2	0.2	3.1	3.1	0.7	0	3.1	0.3	0.6	0	0	0	3.1	1.1	1.1	0	2.5
STOP	4.1	4.2	4.3	4.4	4.5	4.6	4.7	4.8	4.9	5.0	5.1	5.2	5.3	5.4	5.5	5.6	5.7	5.8	5.9	6.0
PLAY	0	2.7	1.8	3.1	3.1	0.8	0	0	1.5	1.2	2.1	1.5	1.7	1.8	2.1	0	0.2	0	0	0
STOP	2.6	0.2	1.2	3.1	0.2	2.0	1.5	0.2	1.8	0.2	0.2	1.8	1.9	1.9	2.0	0	0.2	3.1	3.1	2.7
PLAY	6.1	6.2	6.3	6.4	6.5	6.6	6.7	6.8	6.9	7.0	7.1	7.2	7.3	7.4	7.5	7.6	7.7	7.8	7.9	8.0
STOP	3.1	3.1	0	4.0	0	3.1	0	3.1	0	3.1	0	3.1	0	3.1	0.1	3.1	0	0.1	0	0.2
PLAY	8.1	2.6	2.6	4.0	0.3	3.1	0	2.5	2.5	2.5	0	2.5	2.4	2.3	1.5	3.1	0	3.1	0	0.2
STOP	0	0	0	0	0.1	3.1	0	0	0	0.1	0.1	3.1	0	3.1	0	3.1	0	3.1	0	0
PLAY	0	0	0	0	0	3.1	3.1	0	3.1	0	0	0	0	3.1	0	3.1	0	3.1	0	0
STOP	1.4	3.1	0	3.1	3.1	3.1	0	0	0	0	0	0	1.5	1.5	1.5	0	3.1	0	3.1	0
PLAY	0	3.1	0	3.1	3.1	3.1	0	0	3.1	0	0.5	1.5	0	1.5	0	3.1	0	0	0	0
STOP	121	122	123	124	125	126	127	128	129	130	131	132	133	134	135	137	138	139	140	140
PLAY	0	0	0	0	4.9	4.9	0	4.9	0	3.1	2.3	5.0	0	0	0	0	0	0	5.0	0.4
STOP	141	142	143	144																
PLAY	2.5	0	0.1	0.1																
STOP	2.4	0	0	0																

# 11. VIDEO OUT (MOTHER C.B.A. 1/5) SCHEMATIC DIAGRAM

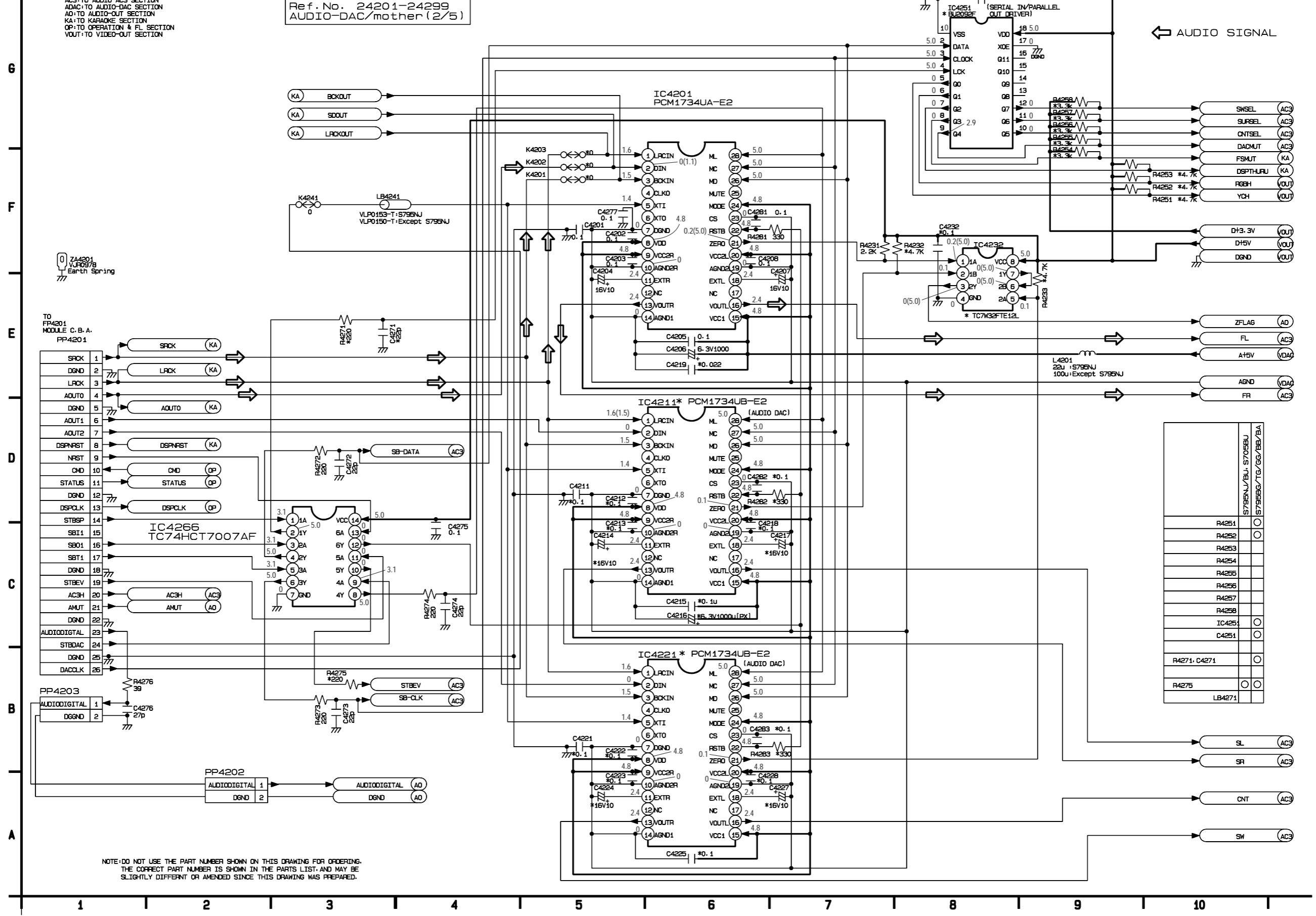
← VIDEO SIGNAL



# 12. ADAC (MOTHER C.B.A. 2/5) SCHEMATIC DIAGRAM

AC3: TO AUDIO-AC3 SECTION  
 ADAC: TO AUDIO-DAC SECTION  
 AD: TO AUDIO-OUT SECTION  
 KA: TO KARAOKE SECTION  
 OP: TO OPERATION & FL SECTION  
 VOUT: TO VIDEO-OUT SECTION

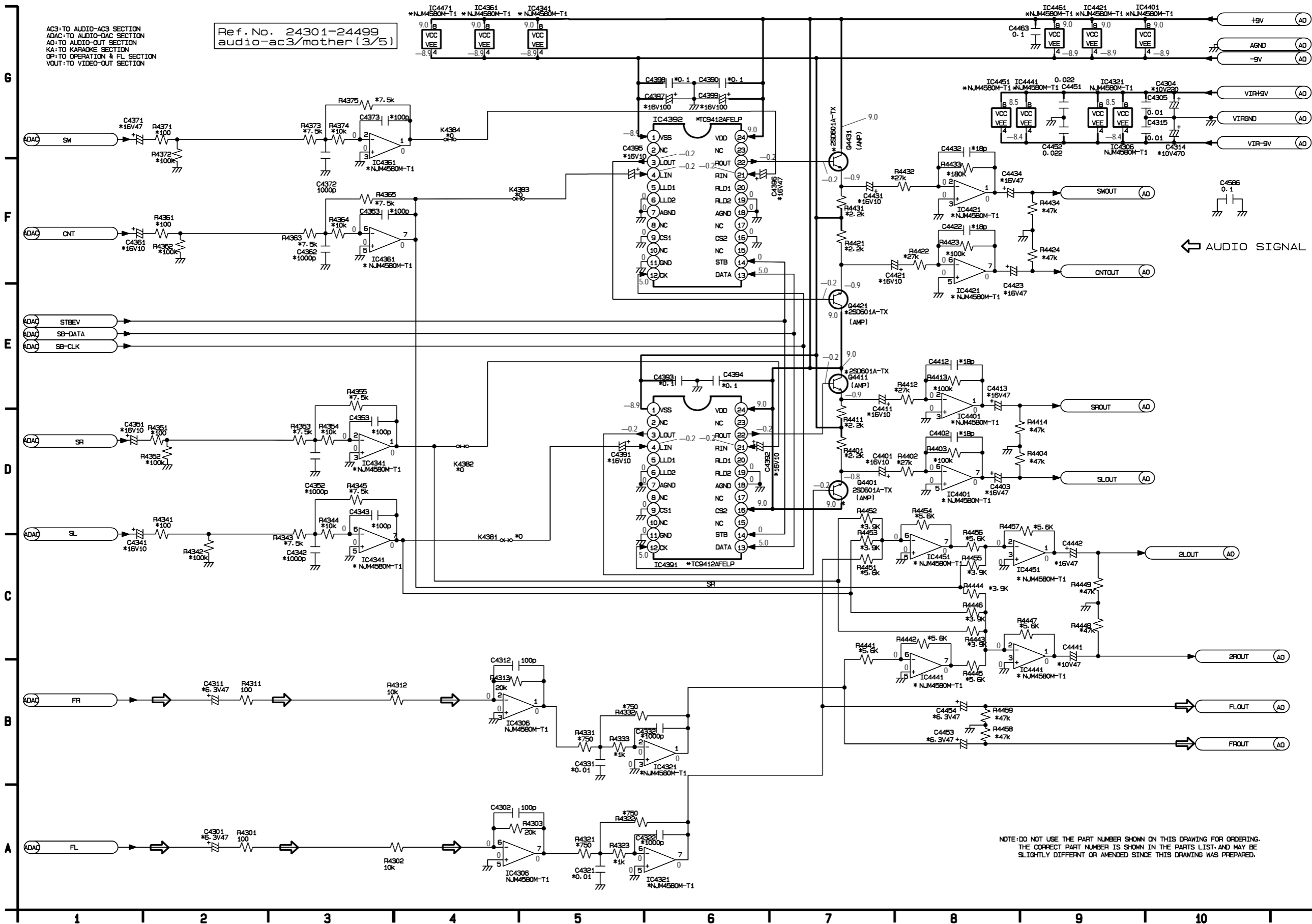
Ref. No. 24201-24299  
 AUDIO-DAC/mother (2/5)



NOTE: DO NOT USE THE PART NUMBER SHOWN ON THIS DRAWING FOR ORDERING. THE CORRECT PART NUMBER IS SHOWN IN THE PARTS LIST, AND MAY BE SLIGHTLY DIFFERENT OR AMENDED SINCE THIS DRAWING WAS PREPARED.

	S795N/B	S795N/BU	S795N/BUB	S795N/BUBA
R4251				
R4252				
R4253				
R4254				
R4255				
R4256				
R4257				
R4258				
IC4251				
C4251				
R4271, C4271				
R4275				
LB4271				

# 13. AUDIO AC-3 (MOTHER C.B.A. 3/5) SCHEMATIC DIAGRAM



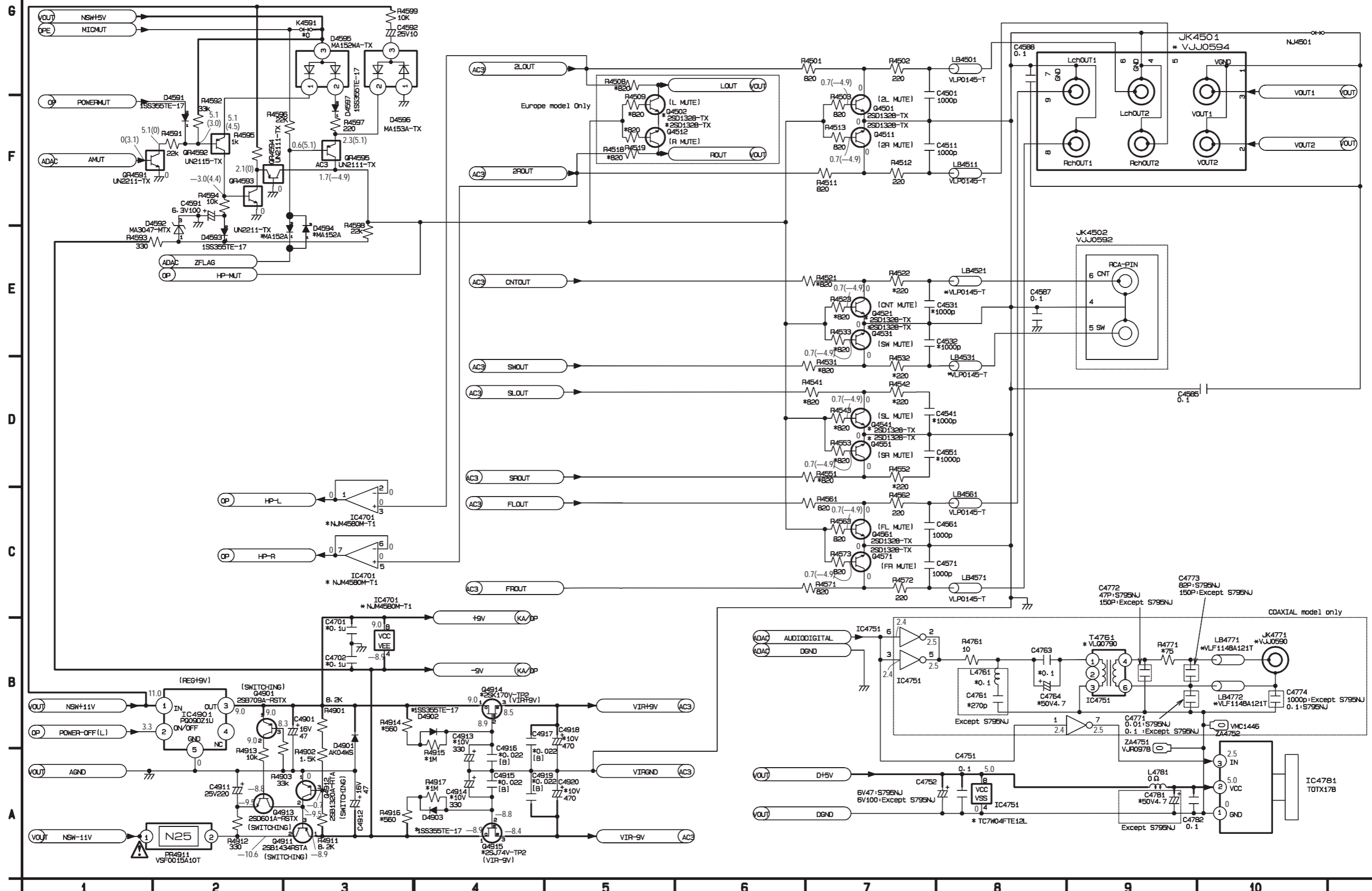
# 14. AUDIO OUT (MOTHER C.B.A. 4/5) SCHEMATIC DIAGRAM

AC3: TO AUDIO-AC3 SECTION  
 ADAC: TO AUDIO-DAC SECTION  
 AD: TO AUDIO-OUT SECTION

KA: TO KARAOKE SECTION  
 OP: TO OPERATION & FL SECTION  
 VOUT: TO VIDEO-OUT SECTION

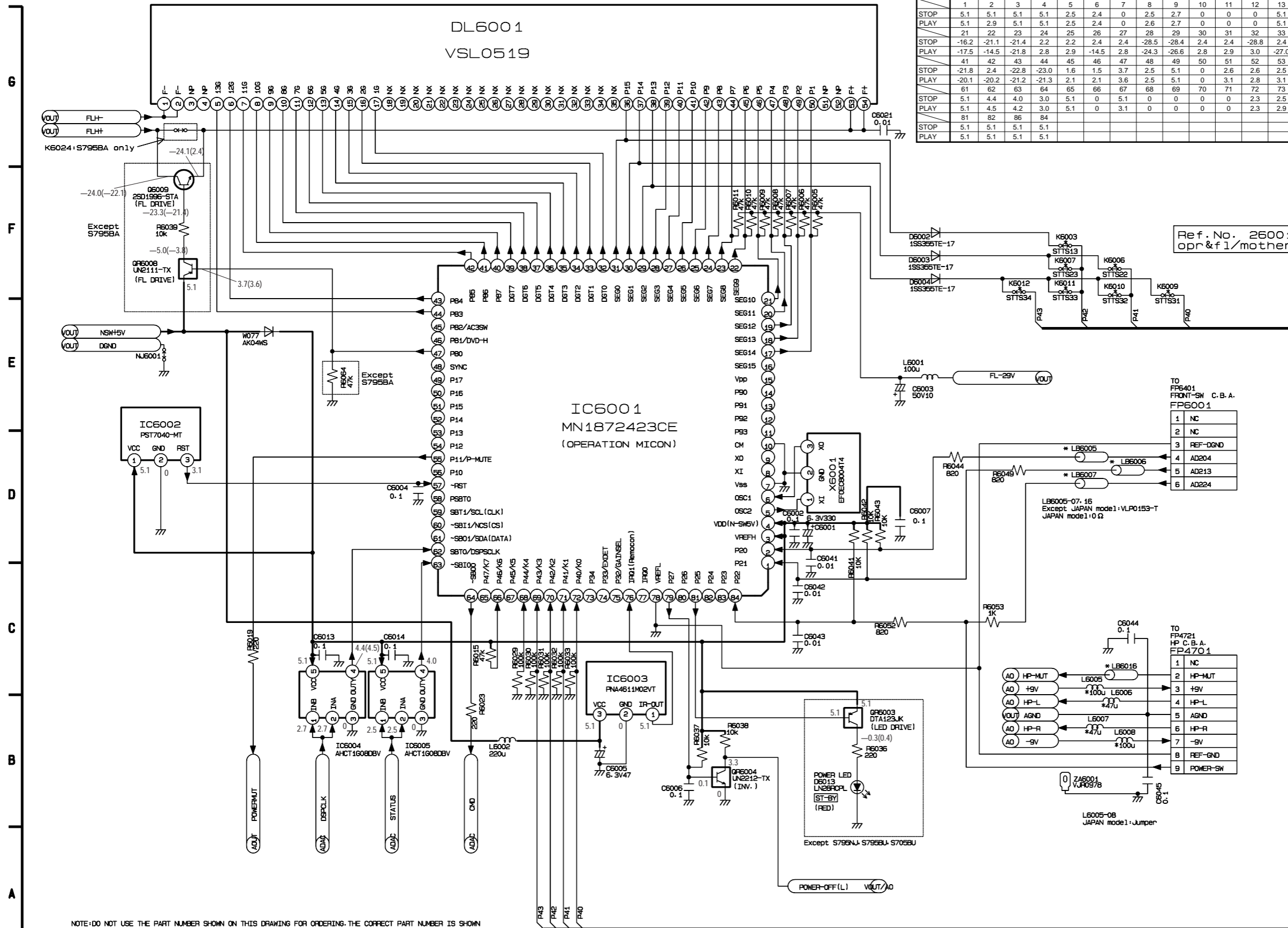
Ref. No. 24501-24599  
 Ref. No. 24701-24799  
 Ref. No. 24901-24949  
 audio-out/mother (4/5)

NOTE: DO NOT USE THE PART NUMBER SHOWN ON THIS DRAWING FOR ORDERING.  
 THE CORRECT PART NUMBER IS SHOWN IN THE PARTS LIST AND MAY BE  
 SLIGHTLY DIFFERENT OR AMENDED SINCE THIS DRAWING WAS PREPARED.





# 15. OPERATION (MOTHER C.B.A. 5/5) SCHEMATIC DIAGRAM



IC6001

	1	2	3	4	5	6	7	8	9	10	11	12	13	14	15	16	17	18	19	20	
STOP	5.1	5.1	5.1	5.1	2.5	2.4	0	2.5	2.7	0	0	0	5.1	5.1	-31.4	1.5	-18.0	-28.8	-28.8	-28.8	
PLAY	5.1	2.9	5.1	5.1	2.5	2.4	0	2.6	2.7	0	0	0	5.1	5.1	-29.5	0	-10.1	24.6	-21.7	-27.0	
	21	22	23	24	25	26	27	28	29	30	31	32	33	34	35	36	37	38	39	40	
STOP	-16.2	-21.1	-21.4	2.2	2.2	2.4	2.4	-28.5	-28.4	2.4	2.4	-28.8	2.4	-28.8	-28.8	-28.8	-28.8	-28.8	-28.7	-21.4	
PLAY	-17.5	-14.5	-21.8	2.8	2.9	-14.5	2.8	-24.3	-26.6	2.8	2.9	3.0	-27.0	-27.0	-26.9	2.9	3.0	-26.9	2.9	-19.8	
	41	42	43	44	45	46	47	48	49	50	51	52	53	54	55	56	57	58	59	60	
STOP	-21.8	2.4	-22.8	-23.0	1.6	1.5	3.7	2.5	5.1	0	2.6	2.6	2.5	2.6	0	5.1	5.1	0	5.1	5.1	
PLAY	-20.1	-20.2	-21.2	-21.3	2.1	2.1	3.6	2.5	5.1	0	3.1	2.8	3.1	2.9	0	5.1	5.1	0	5.1	5.1	
	61	62	63	64	65	66	67	68	69	70	71	72	73	74	75	76	77	78	79	80	
STOP	5.1	4.4	4.0	3.0	5.1	0	5.1	0	0	0	0	0	2.3	2.5	2.5	0	5.0	0	0	0.1	5.1
PLAY	5.1	4.5	4.2	3.0	5.1	0	3.1	0	0	0	0	0	2.3	2.9	2.9	0	5.1	0	0	0.1	5.1
	81	82	86	84																	
STOP	5.1	5.1	5.1	5.1																	
PLAY	5.1	5.1	5.1	5.1																	

Ref. No. 26001-26199  
opr&f1/mother (5/5)

K6003	STTS13				
K6006	STTS22				
K6007	STTS23				
K6009	STTS31				
K6010	STTS32				
K6011	STTS33				
K6012	STTS34				

TO FP6401 FRONT-SW C.B.A. FP6001

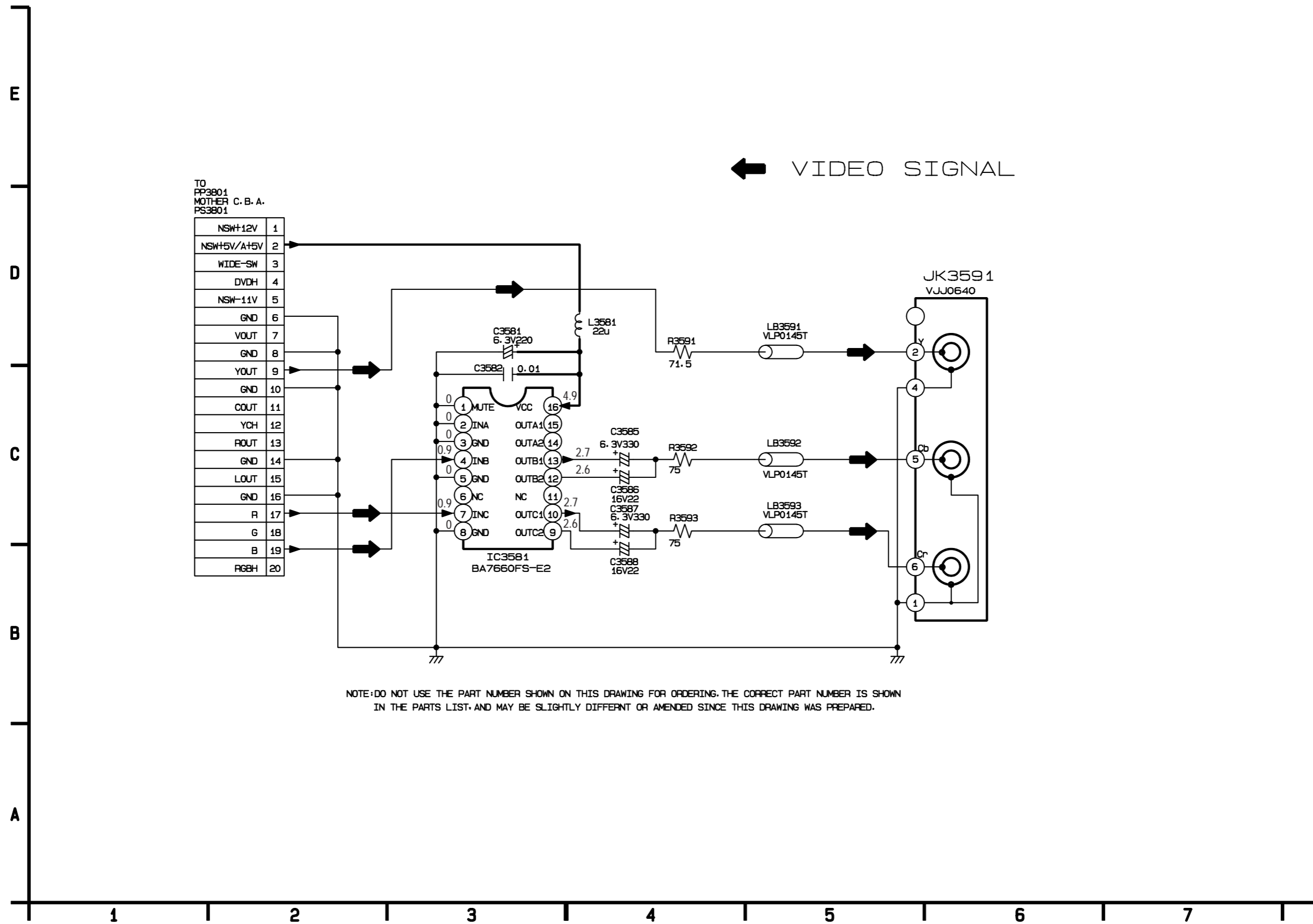
1	NC
2	NC
3	REF-DGND
4	AD204
5	AD213
6	AD224

TO FP4721 HP C.B.A. FP4701

1	NC
2	HP-MUT
3	+5V
4	HP-L
5	AGND
6	HP-R
7	-5V
8	REF-GND
9	POWER-SW

NOTE: DO NOT USE THE PART NUMBER SHOWN ON THIS DRAWING FOR ORDERING. THE CORRECT PART NUMBER IS SHOWN IN THE PARTS LIST, AND MAY BE SLIGHTLY DIFFERENT OR AMENDED SINCE THIS DRAWING WAS PREPARED.

16. VIDEO COMP SCHEMATIC DIAGRAM (FOR U, C MODELS)



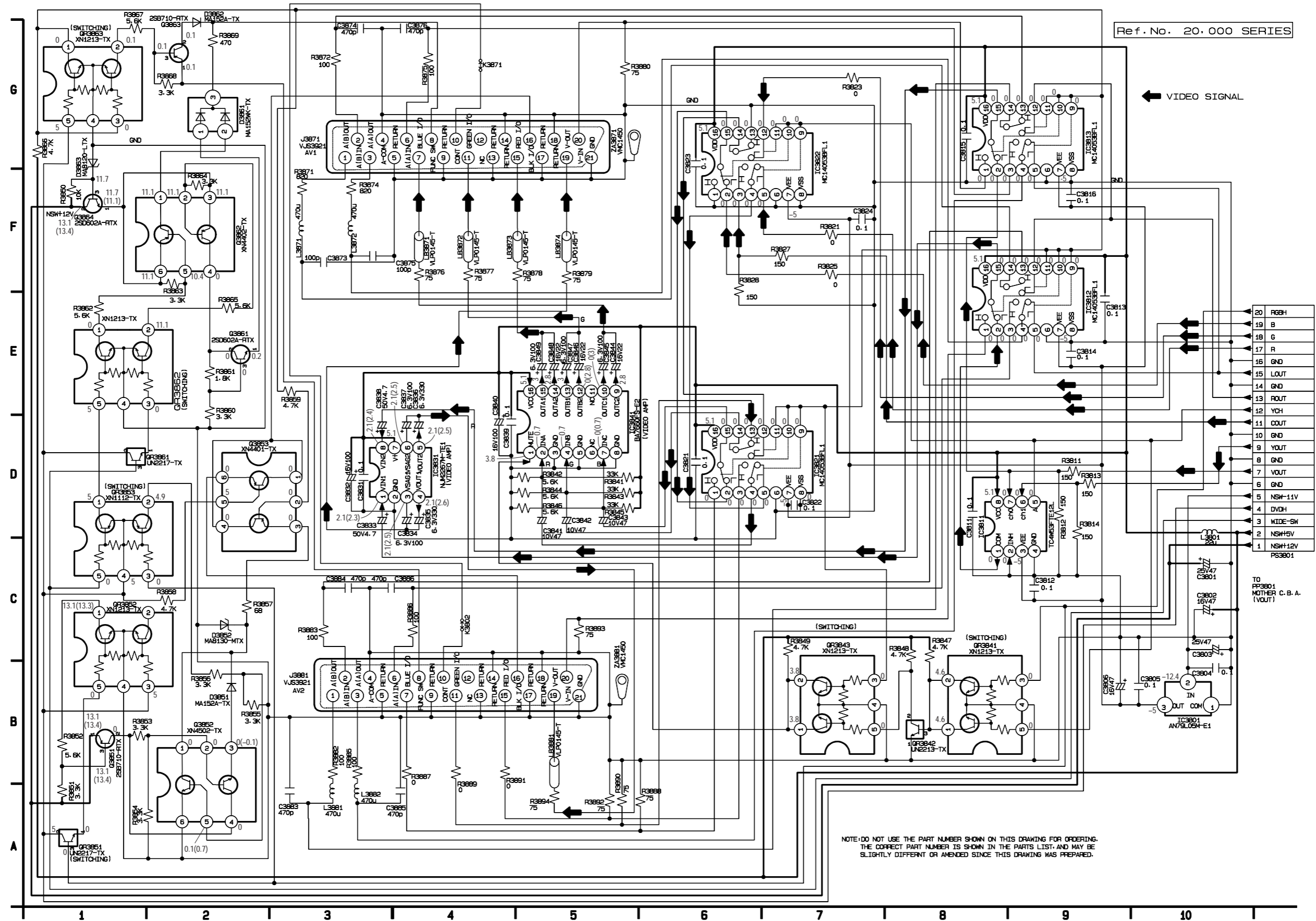
TO  
PP3801  
MOTHER C. B. A.  
PS3801

NSW+12V	1
NSW+5V/A+5V	2
WIDE-SW	3
DVDH	4
NSW-11V	5
GND	6
VOUT	7
GND	8
YOUT	9
GND	10
COUT	11
YCH	12
ROUT	13
GND	14
LOUT	15
GND	16
R	17
G	18
B	19
RGBH	20

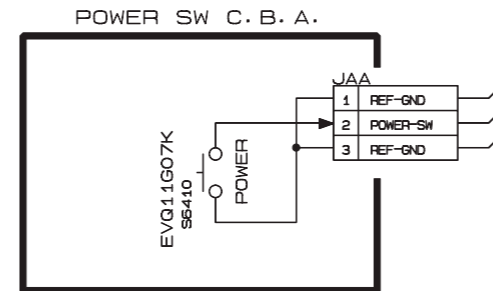
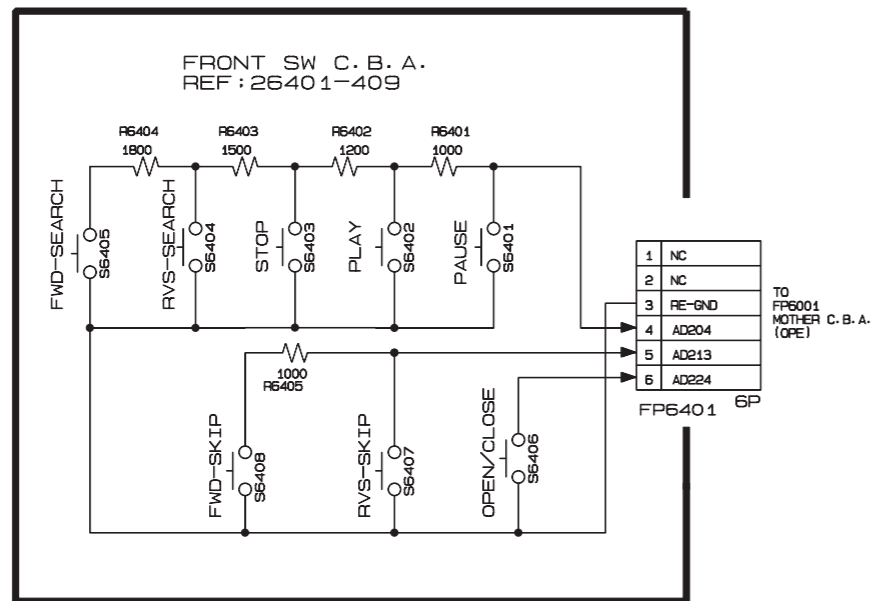
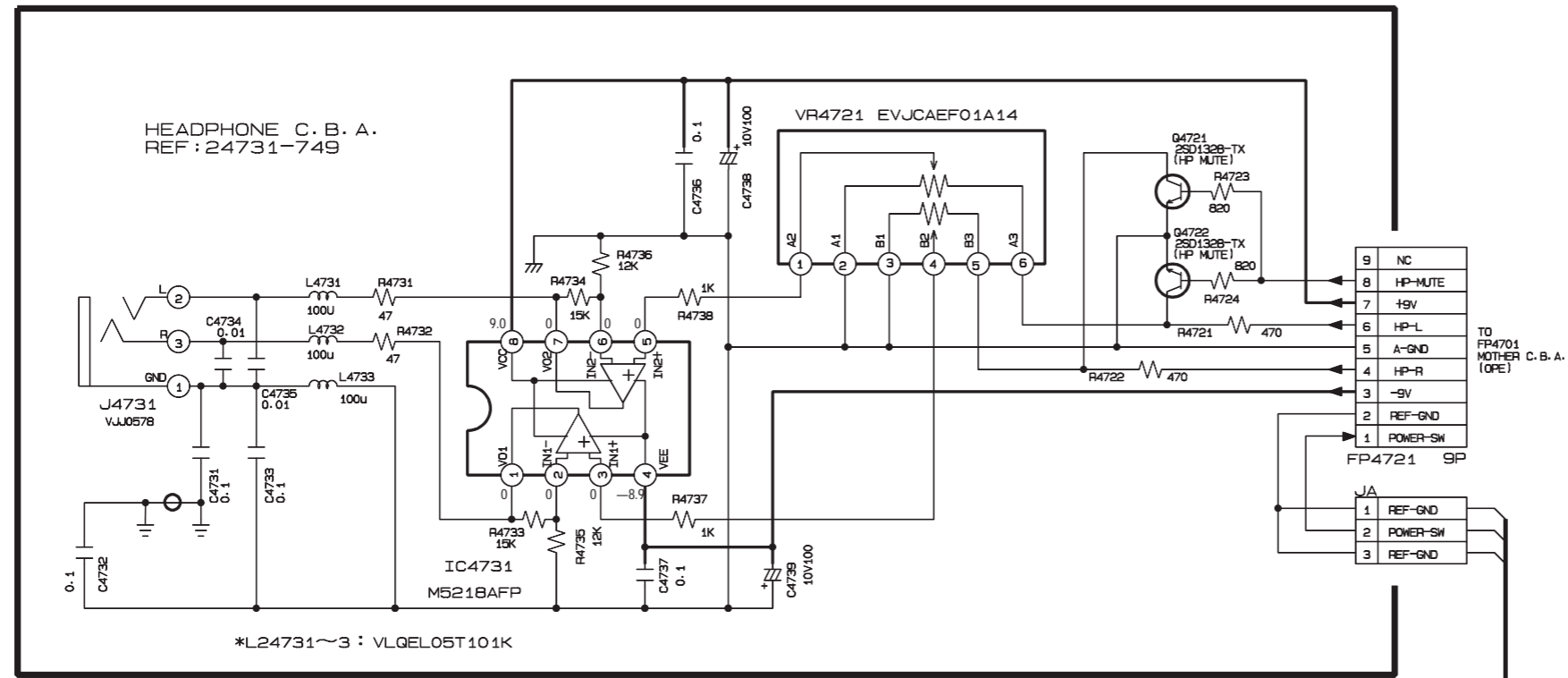
NOTE: DO NOT USE THE PART NUMBER SHOWN ON THIS DRAWING FOR ORDERING. THE CORRECT PART NUMBER IS SHOWN IN THE PARTS LIST, AND MAY BE SLIGHTLY DIFFERENT OR AMENDED SINCE THIS DRAWING WAS PREPARED.

# 17. SCART Schematic Diagram (FOR B, G MODELS)

**B, G MODELS**



# 18. FRONT SW/HEAD PHONE/POWER SW SCHEMATIC DIAGRAM

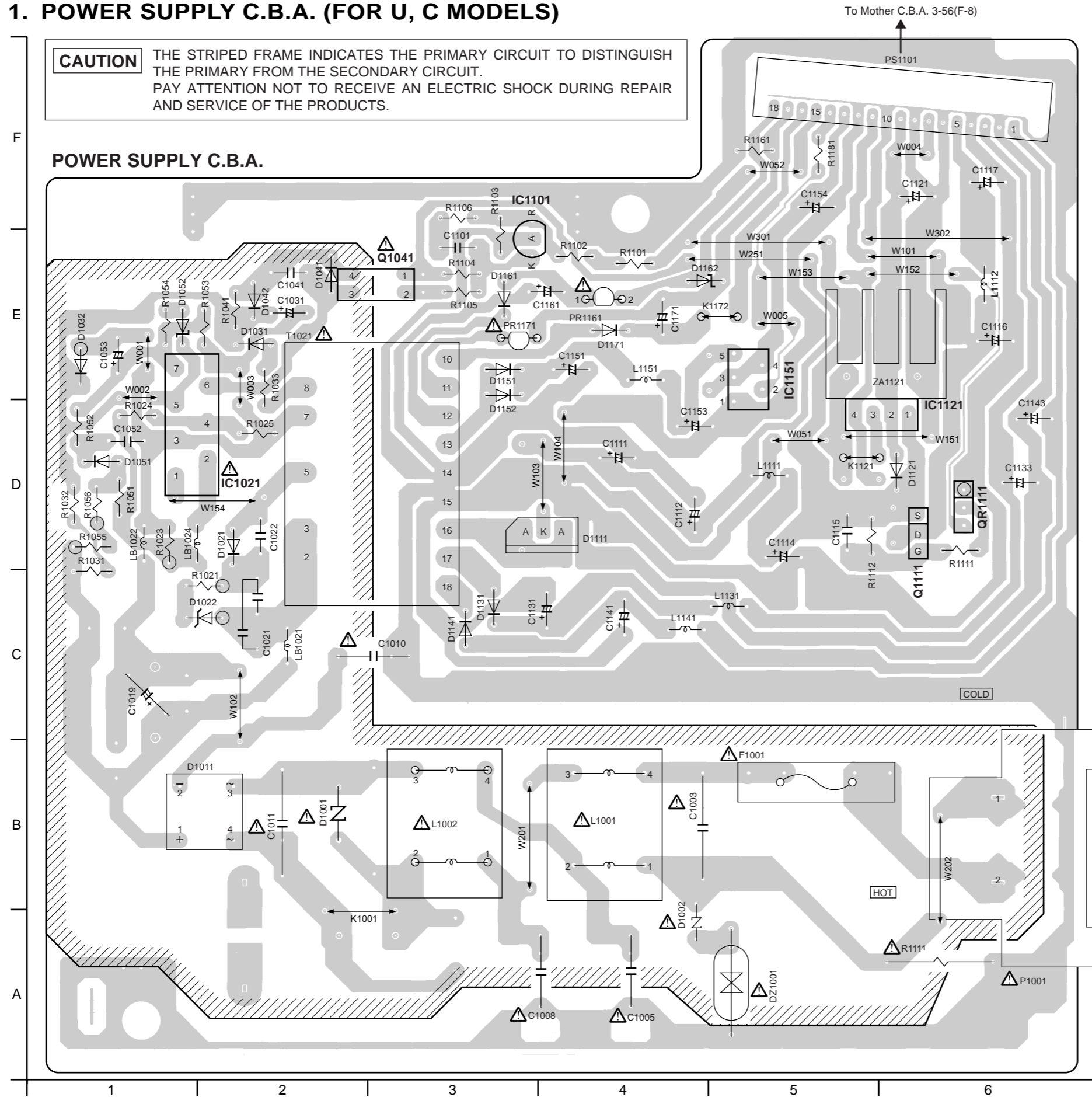


NOTE: DO NOT USE THE PART NUMBER SHOWN ON THIS DRAWING FOR ORDERING. THE CORRECT PART NUMBER IS SHOWN IN THE PARTS LIST, AND MAY BE SLIGHTLY DIFFERENT OR AMENDED SINCE THIS DRAWING WAS PREPARED.

# CIRCUIT BOARD DIAGRAM

## 1. POWER SUPPLY C.B.A. (FOR U, C MODELS)

**U, C MODELS**



POWER C.B.A.			
Transistors		Integrated Circuits	
Q1041	F-3	IC1021	E-2
Q1111	D-6	IC1101	F-4
Transistor-resistor		IC1151	E-5
QR1111	D-7	IC1121	E-6
		Connector	
		PS1101	G-6

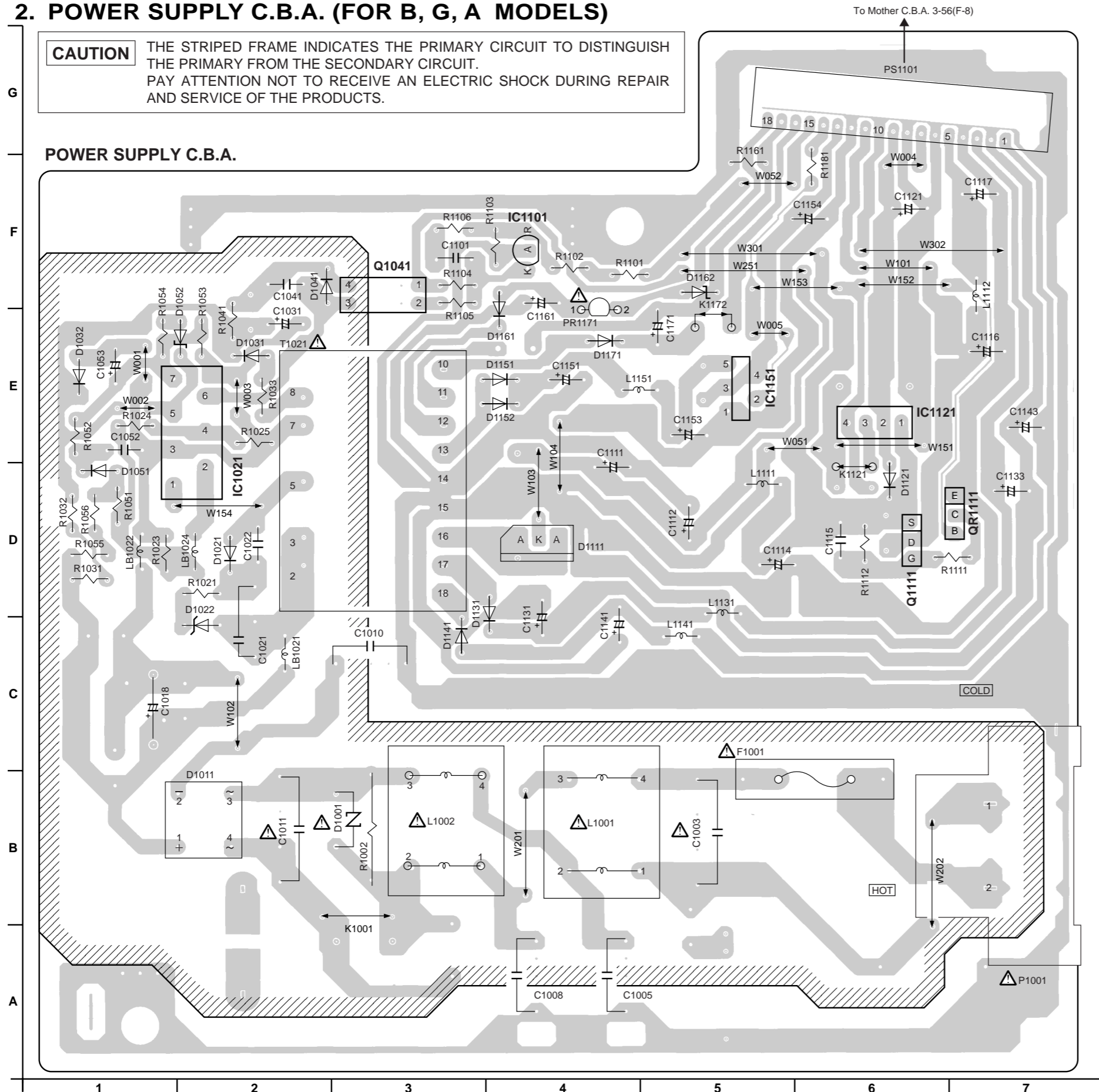
ADDRESS INFORMATION

**2. POWER SUPPLY C.B.A. (FOR B, G, A MODELS)**

**CAUTION**

THE STRIPED FRAME INDICATES THE PRIMARY CIRCUIT TO DISTINGUISH THE PRIMARY FROM THE SECONDARY CIRCUIT. PAY ATTENTION NOT TO RECEIVE AN ELECTRIC SHOCK DURING REPAIR AND SERVICE OF THE PRODUCTS.

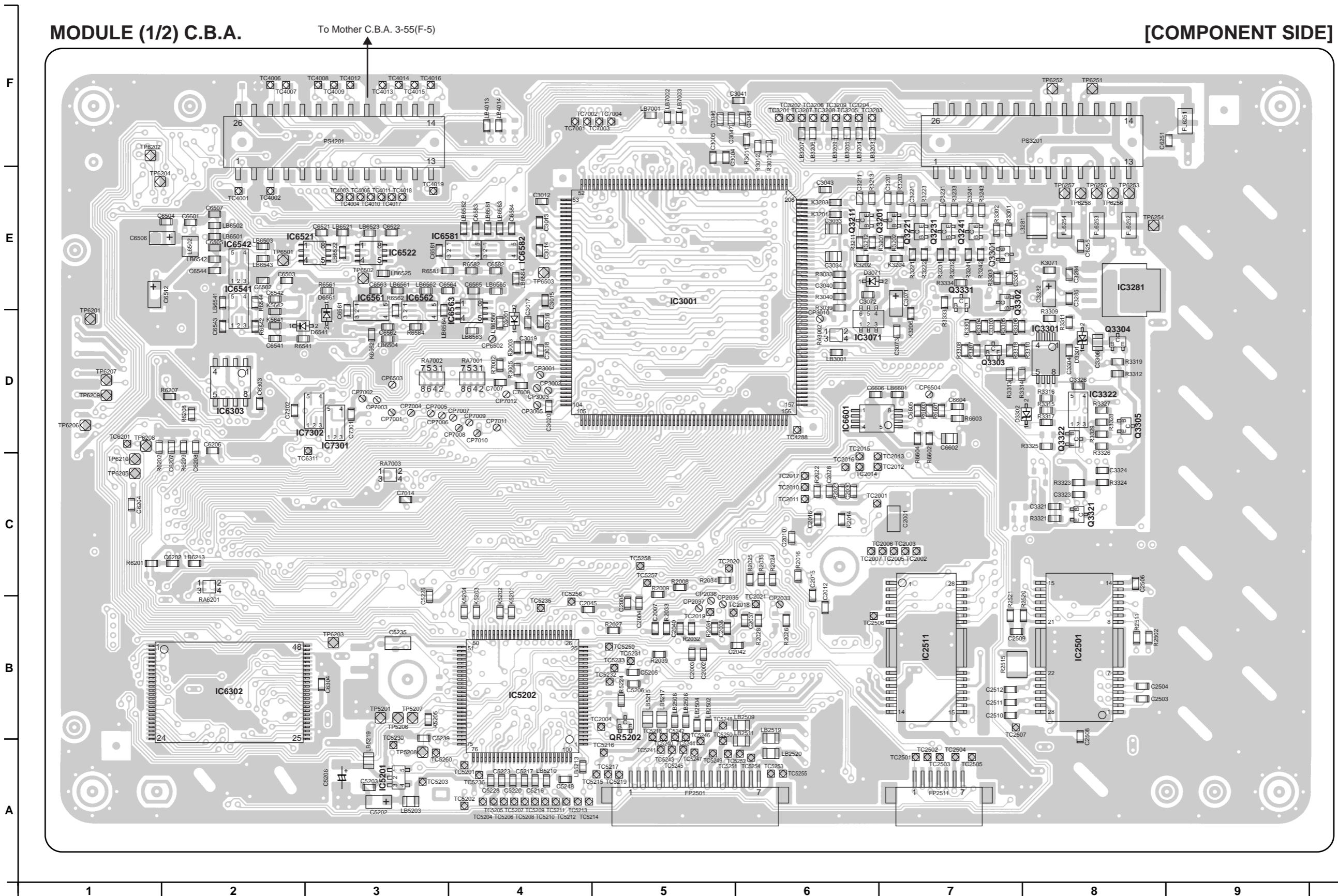
**POWER SUPPLY C.B.A.**



POWER C.B.A.			
Transistors		Integrated Circuits	
Q1041	F-3	IC1021	E-2
Q1111	D-6	IC1101	F-4
Transistor-resistor		IC1151	E-5
		IC1121	E-6
QR1111	D-7	Connector	
		PS1101	G-6

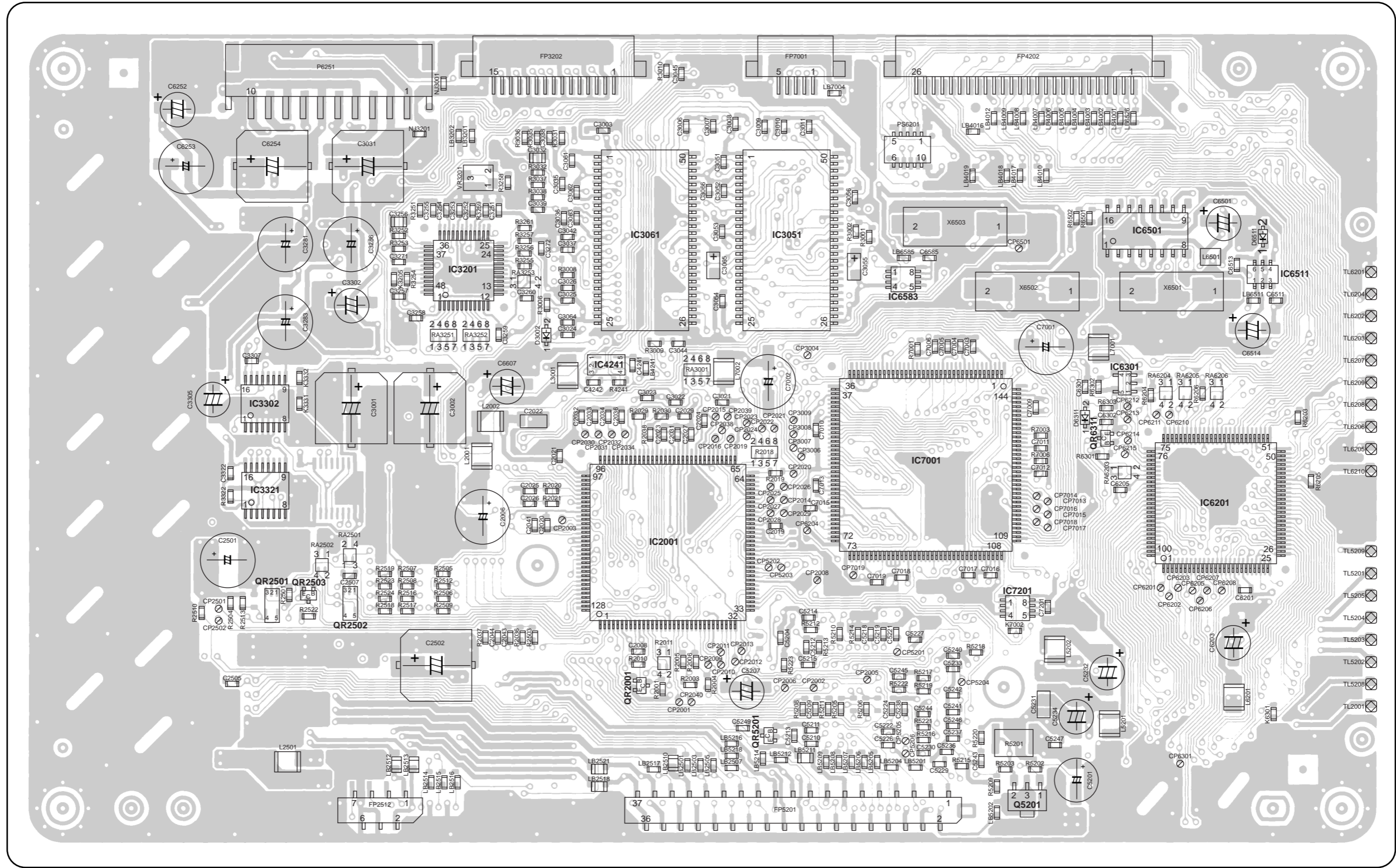
ADDRESS INFORMATION

### 3. MODULE C.B.A.



MODULE C.B.A.	
<b>Transistors</b>	
Q3201	E-7
Q3211	E-6
Q3221	E-7
Q3231	E-7
Q3241	E-7
Q3301	E-7
Q3302	E-7
Q3303	D-7
Q3304	D-8
Q3321	C-8
Q3322	D-8
Q3331	E-7
<b>Transistor-resistors</b>	
QR5202	B-5
<b>Integrated Circuits</b>	
IC2501	B-8
IC2511	B-7
IC3001	E-5
IC3071	D-6
IC3281	E-8
IC3301	D-8
IC3305	D-8
IC3322	D-8
IC5201	A-3
IC5202	B-4
IC6302	B-2
IC6303	D-2
IC6521	E-3
IC6522	E-3
IC6541	D-2
IC6542	E-2
IC6561	E-3
IC6562	E-3
IC6563	E-4
IC6581	E-4
IC6582	E-4
IC6583	E-16
IC6601	D-6
IC7301	D-3
IC7302	D-3
<b>Transistors</b>	
TP5201	B-3
TP5206	B-3
TP5207	B-3
TP5208	A-3
TP6201	D-1
TP6202	F-1
TP6203	B-3
TP6204	E-2
TP6205	C-1
TP6206	D-1
TP6207	D-1
TP6208	D-1
TP6209	D-1
TP6210	C-1
TP6251	F-8
TP6252	F-8
TP6253	E-8
TP6254	E-8
TP6255	E-8
TP6256	E-8
TP6257	E-8
TP6258	E-8
TP6501	E-2
TP6502	E-3
TP6503	E-4
<b>Connectors</b>	
FP2501	A-5
FP2511	A-7
PS3201	F-8
PS4201	F-3

ADDRESS INFORMATION

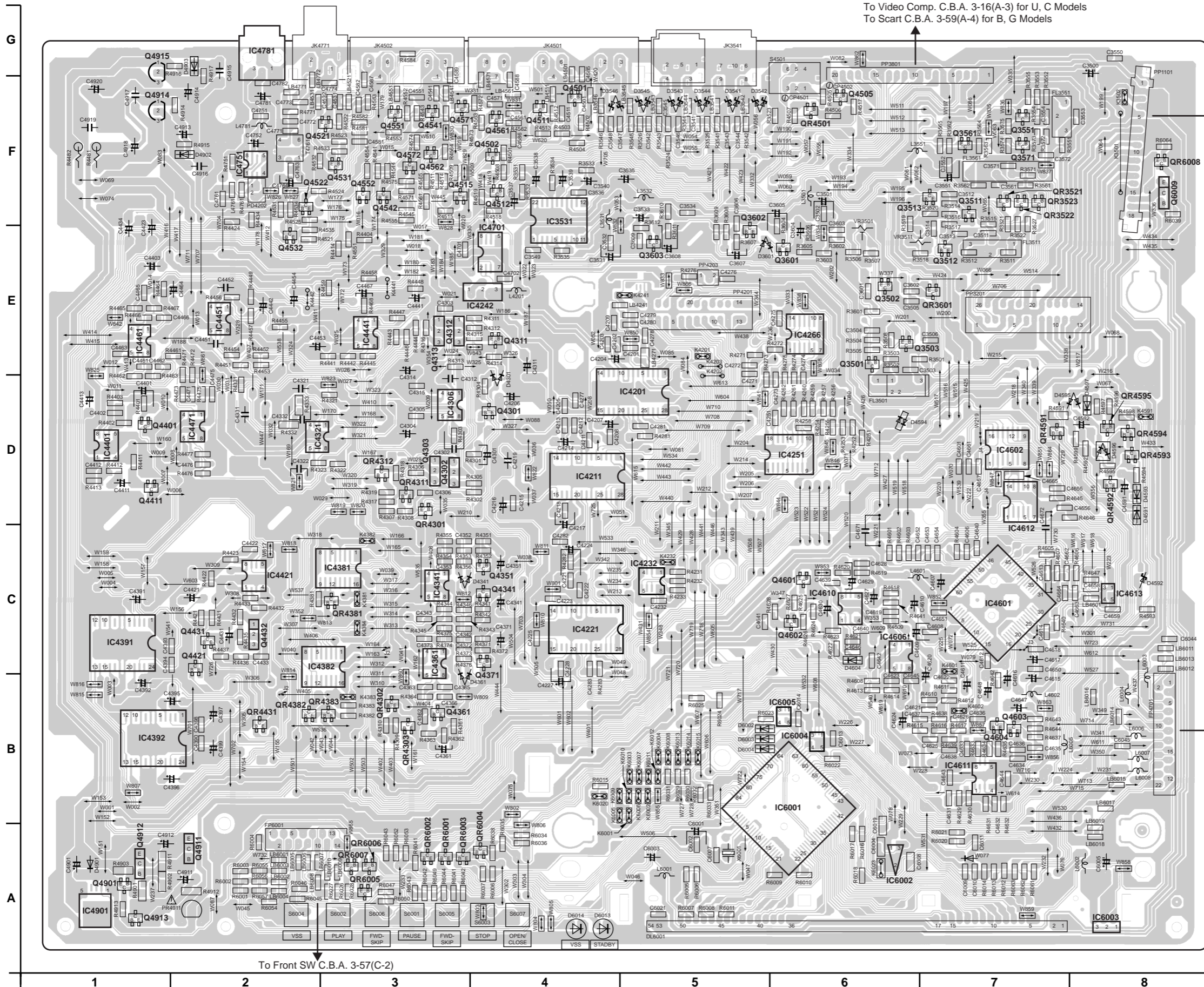


MODULE C.B.A.	
Transistors	
Q5201	A-17
Transistor-resistors	
QR2001	B-14
QR2501	C-12
QR2502	B-12
QR2503	C-12
QR5201	B-15
QR6311	D-7
Integrated Circuits	
IC2001	C-15
IC3051	E-15
IC3061	E-14
IC3201	E-13
IC3302	D-12
IC3321	C-12
IC4241	D-14
IC6201	C-18
IC6301	D-18
IC6501	E-18
IC6511	E-18
IC7001	C-16
IC7201	B-17
Adjustment	
VR3201	E-13
Connectors	
FP2512	A-13
FP3202	F-14
FP4202	F-17
FP5201	A-15
FP7001	F-15
P6251	F-12
PS6201	E-16

ADDRESS INFORMATION



# 4. MOTHER C.B.A.



To Video Comp. C.B.A. 3-16(A-3) for U, C Models  
To Cart C.B.A. 3-59(A-4) for B, G Models

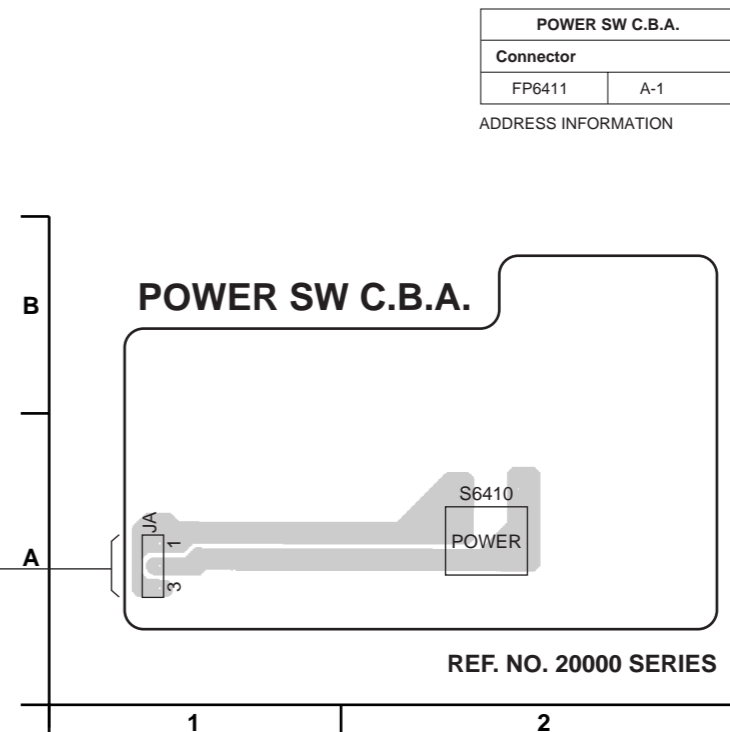
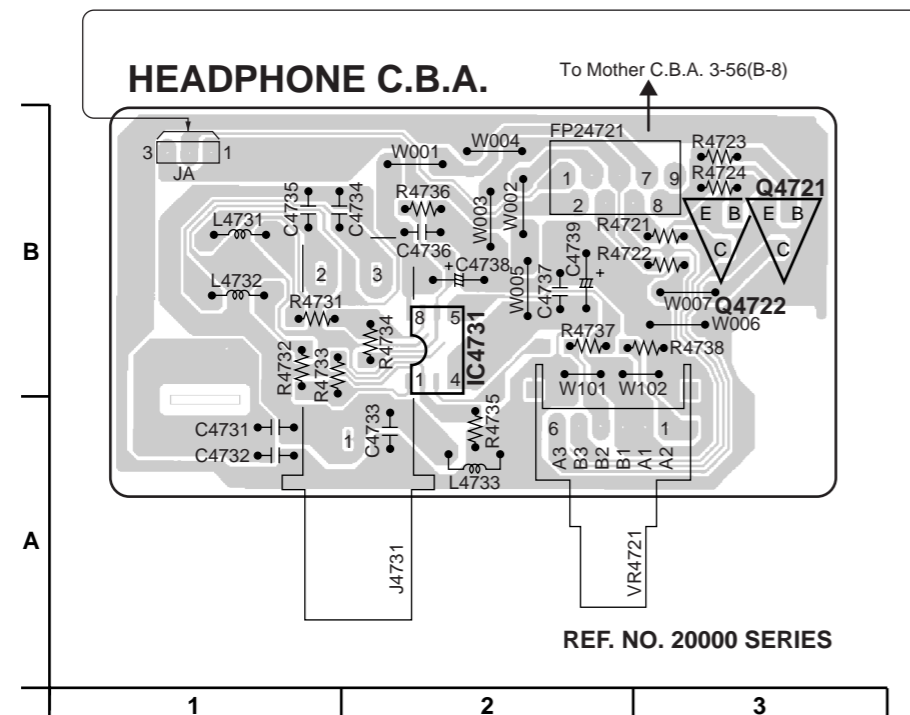
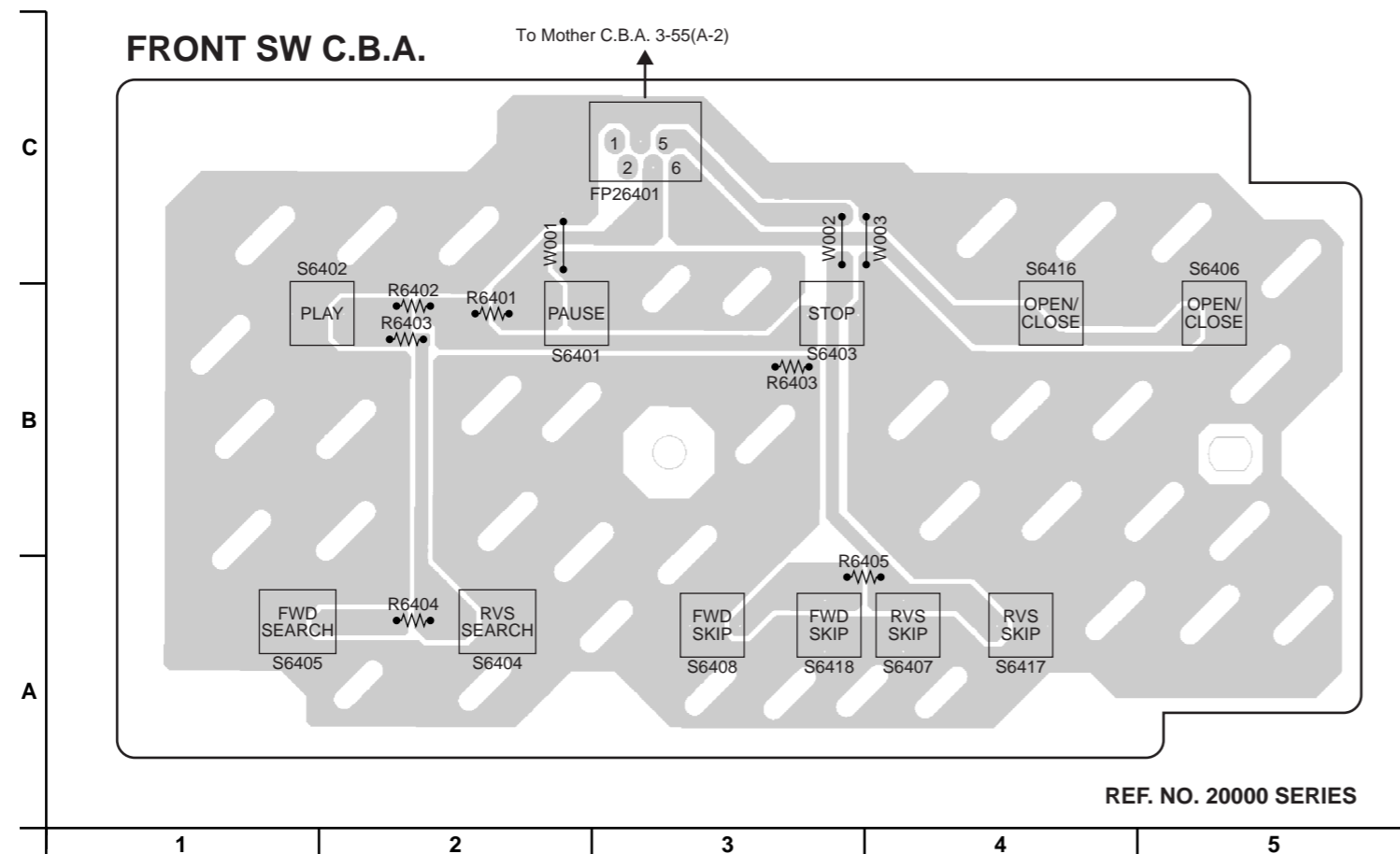
To Power Supply C.B.A.

To Headphone C.B.A. 3-57(B-2)

To Front SW C.B.A. 3-57(C-2)

MOTHER C.B.A.			
Transistors		Integrated Circuits	
Q3501	E-6	IC3531	F-4
Q3502	E-6	IC4201	D-5
Q3503	E-6	IC4211	D-4
Q3511	F-7	IC4221	C-4
Q3512	E-7	IC4232	C-5
Q3513	F-7	IC4242	E-4
Q3551	F-7	IC4251	D-6
Q3561	F-7	IC4266	E-6
Q3571	F-7	IC4306	D-3
Q3601	E-6	IC4321	D-3
Q3602	E-5	IC4341	C-3
Q3603	E-5	IC4361	C-3
Q4301	D-4	IC4381	C-3
Q4302	D-3	IC4382	C-2
Q4303	D-3	IC4391	C-1
Q4311	E-4	IC4392	B-1
Q4312	E-3	IC4401	D-1
Q4313	E-3	IC4411	D-1
Q4341	C-4	IC4421	C-2
Q4351	C-4	IC4441	E-3
Q4361	B-3	IC4451	E-2
Q4371	C-4	IC4461	E-1
Q4421	C-2	IC4471	D-2
Q4431	C-2	IC4601	C-7
Q4432	C-2	IC4602	D-7
Q4501	F-4	IC4606	C-6
Q4502	F-4	IC4610	C-6
Q4505	F-6	IC4611	B-7
Q4511	F-4	IC4612	D-7
Q4512	F-4	IC4613	C-8
Q4515	F-3	IC4701	E-4
Q4521	F-3	IC4751	F-2
Q4522	F-2	IC4781	G-2
Q4531	F-3	IC4901	A-1
Q4532	E-2	IC6001	B-6
Q4541	F-3	IC6002	A-6
Q4542	F-3	IC6003	A-8
Q4551	F-3	IC6004	B-6
Q4552	F-3	IC6005	B-6
Q4561	F-4		
Q4562	F-3		
Q4571	F-3		
Q4572	F-3		
Q4581	F-3		
Q4582	F-3		
Q4591	F-3		
Q4592	F-3		
Q4593	F-3		
Q4594	F-3		
Q4595	F-3		
Q4596	F-3		
Q4597	F-3		
Q4598	F-3		
Q4599	F-3		
Q4601	F-3		
Q4602	F-3		
Q4603	F-3		
Q4604	F-3		
Q4605	F-3		
Q4606	F-3		
Q4607	F-3		
Q4608	F-3		
Q4609	F-3		
Q4610	F-3		
Q4611	F-3		
Q4612	F-3		
Q4613	F-3		
Q4614	F-3		
Q4615	F-3		
Q4616	F-3		
Q4617	F-3		
Q4618	F-3		
Q4619	F-3		
Q4620	F-3		
Q4621	F-3		
Q4622	F-3		
Q4623	F-3		
Q4624	F-3		
Q4625	F-3		
Q4626	F-3		
Q4627	F-3		
Q4628	F-3		
Q4629	F-3		
Q4630	F-3		
Q4631	F-3		
Q4632	F-3		
Q4633	F-3		
Q4634	F-3		
Q4635	F-3		
Q4636	F-3		
Q4637	F-3		
Q4638	F-3		
Q4639	F-3		
Q4640	F-3		
Q4641	F-3		
Q4642	F-3		
Q4643	F-3		
Q4644	F-3		
Q4645	F-3		
Q4646	F-3		
Q4647	F-3		
Q4648	F-3		
Q4649	F-3		
Q4650	F-3		
Q4651	F-3		
Q4652	F-3		
Q4653	F-3		
Q4654	F-3		
Q4655	F-3		
Q4656	F-3		
Q4657	F-3		
Q4658	F-3		
Q4659	F-3		
Q4660	F-3		
Q4661	F-3		
Q4662	F-3		
Q4663	F-3		
Q4664	F-3		
Q4665	F-3		
Q4666	F-3		
Q4667	F-3		
Q4668	F-3		
Q4669	F-3		
Q4670	F-3		
Q4671	F-3		
Q4672	F-3		
Q4673	F-3		
Q4674	F-3		
Q4675	F-3		
Q4676	F-3		
Q4677	F-3		
Q4678	F-3		
Q4679	F-3		
Q4680	F-3		
Q4681	F-3		
Q4682	F-3		
Q4683	F-3		
Q4684	F-3		
Q4685	F-3		
Q4686	F-3		
Q4687	F-3		
Q4688	F-3		
Q4689	F-3		
Q4690	F-3		
Q4691	F-3		
Q4692	F-3		
Q4693	F-3		
Q4694	F-3		
Q4695	F-3		
Q4696	F-3		
Q4697	F-3		
Q4698	F-3		
Q4699	F-3		
Q4700	F-3		
Q4701	F-3		
Q4702	F-3		
Q4703	F-3		
Q4704	F-3		
Q4705	F-3		
Q4706	F-3		
Q4707	F-3		
Q4708	F-3		
Q4709	F-3		
Q4710	F-3		
Q4711	F-3		
Q4712	F-3		
Q4713	F-3		
Q4714	F-3		
Q4715	F-3		
Q4716	F-3		
Q4717	F-3		
Q4718	F-3		
Q4719	F-3		
Q4720	F-3		
Q4721	F-3		
Q4722	F-3		
Q4723	F-3		
Q4724	F-3		
Q4725	F-3		
Q4726	F-3		
Q4727	F-3		
Q4728	F-3		
Q4729	F-3		
Q4730	F-3		
Q4731	F-3		
Q4732	F-3		
Q4733	F-3		
Q4734	F-3		
Q4735	F-3		
Q4736	F-3		
Q4737	F-3		
Q4738	F-3		
Q4739	F-3		
Q4740	F-3		
Q4741	F-3		
Q4742	F-3		
Q4743	F-3		
Q4744	F-3		
Q4745	F-3		
Q4746	F-3		
Q4747	F-3		
Q4748	F-3		
Q4749	F-3		
Q4750	F-3		
Q4751	F-3		
Q4752	F-3		
Q4753	F-3		
Q4754	F-3		
Q4755	F-3		
Q4756	F-3		
Q4757	F-3		
Q4758	F-3		
Q4759	F-3		
Q4760	F-3		
Q4761	F-3		
Q4762	F-3		
Q4763	F-3		
Q4764	F-3		
Q4765	F-3		
Q4766	F-3		
Q4767	F-3		
Q4768	F-3		
Q4769	F-3		
Q4770	F-3		
Q4771	F-3		
Q4772	F-3		
Q4773	F-3		
Q4774	F-3		
Q4775	F-3		
Q4776	F-3		
Q4777	F-3		
Q4778	F-3		
Q4779	F-3		
Q4780	F-3		
Q4781	F-3		
Q4782	F-3		
Q4783	F-3		
Q4784	F-3		
Q4785	F-3		
Q4786	F-3		
Q4787	F-3		
Q4788	F-3		
Q4789	F-3		
Q4790	F-3		
Q4791	F-3		
Q4792	F-3		
Q4793	F-3		
Q4794	F-3		
Q4795	F-3		
Q4796	F-3		
Q4797	F-3		
Q4798	F-3		
Q4799	F-3		
Q4800	F-3		
Q4801	F-3		
Q4802	F-3		
Q4803	F-3		
Q4804	F-3		
Q4805	F-3		
Q4806	F-3		
Q4807	F-3		
Q4808	F-3		
Q4809	F-3		
Q4810	F-3		
Q4811	F-3		
Q4812	F-3		
Q4813	F-3		
Q4814	F-3		
Q4815	F-3		
Q4816	F-3		
Q4817	F-3		
Q4818	F-3		
Q4819	F-3		
Q4820	F-3		
Q4821	F-3		
Q4822	F-3		
Q4823	F-3		
Q4824	F-3		
Q4825	F-3		
Q4826	F-3		
Q4827	F-3		
Q4828	F-3		
Q4829	F-3		
Q4830	F-3		
Q4831	F-3		
Q4832	F-3		
Q4833	F-3		
Q4834	F-3		
Q4835	F-3		
Q4836	F-3		
Q4837	F-3		
Q4838	F-3		
Q4839	F-3		
Q4840	F-3		
Q4841	F-3		
Q4842	F-3		
Q4843	F-3		
Q4844	F-3		
Q4845	F-3		
Q4846	F-3		
Q4847	F-3		
Q4848	F-3		
Q4849	F-3		
Q4850	F-3		
Q4851	F-3		
Q4852	F-3		
Q4853	F-3		
Q4854	F-3		
Q4855	F-3		
Q4856	F-3		
Q4857	F-3		
Q4858	F-3		
Q4859	F-3		
Q4860	F-3		
Q4861	F-3		
Q4862	F-3		
Q4863	F-3		
Q4864	F-3		
Q4865	F-3		
Q4866	F-3		
Q4867	F-3		
Q4868	F-3		
Q4869	F-3		
Q4870	F-3		
Q4871	F-3		
Q4872	F-3		
Q4873	F-3		
Q4874	F-3		
Q4875	F-3		
Q4876	F-3		
Q4877	F-3		
Q4878	F-3		
Q4879	F-3		
Q4880	F-3		
Q4881	F-3		
Q4882			

### 5. FRONT SW/HEAD PHONE/POWER SW C.B.A.

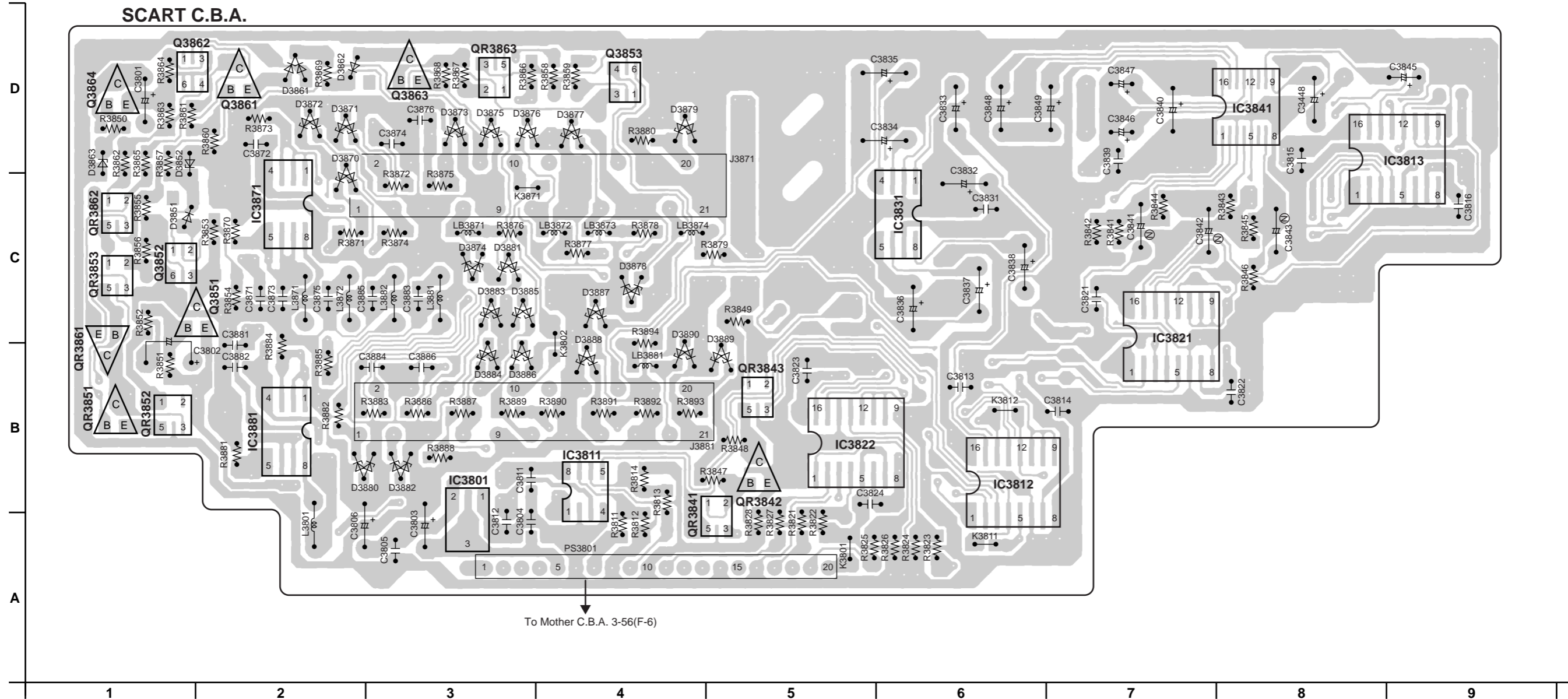


# 6. SCART C.B.A. (FOR B, G MODELS)

**B, G MODELS**

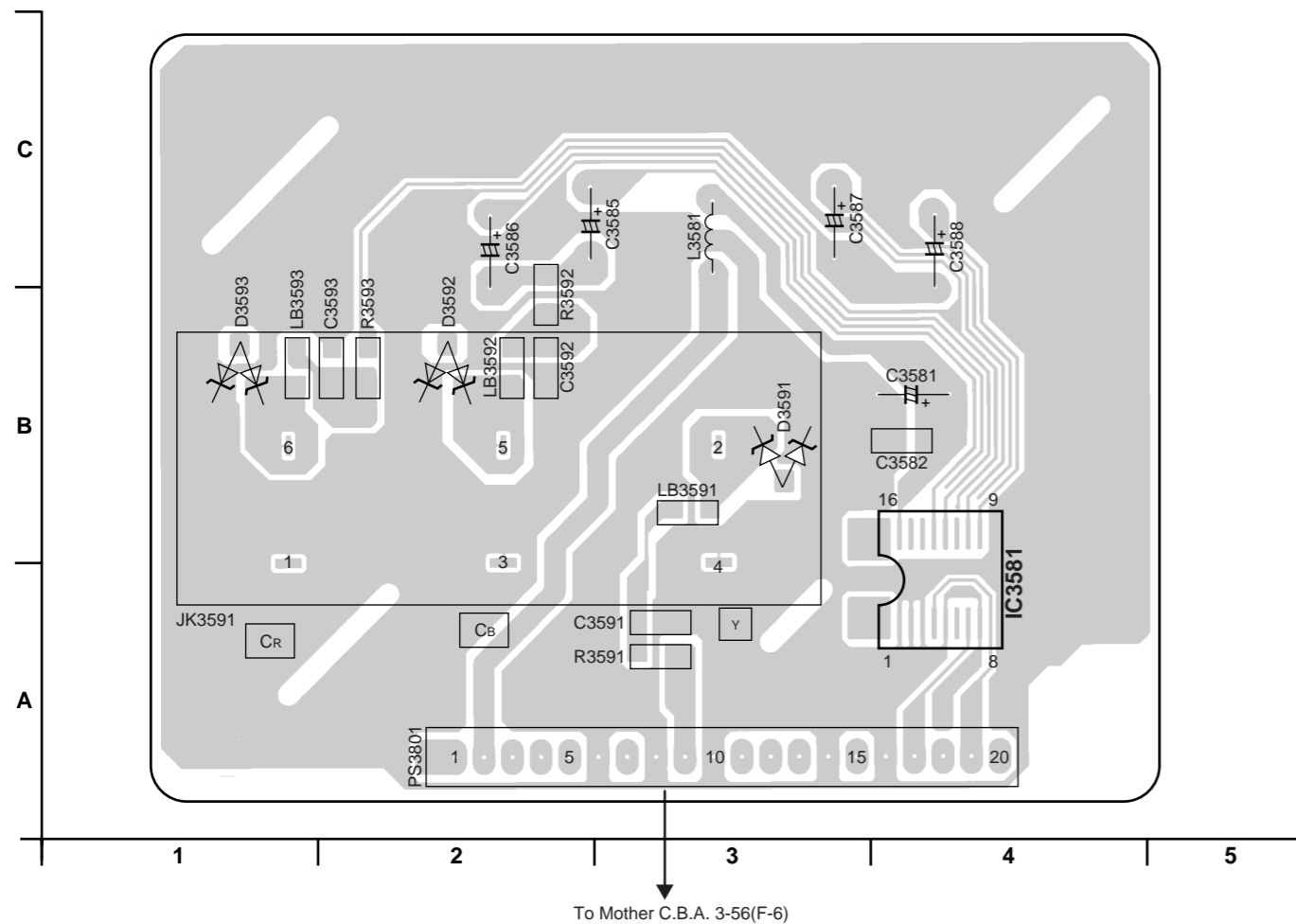
SCART C.B.A.			
Transistors		Integrated Circuits	
Q3851	C-2	IC3801	B-3
Q3852	C-2	IC3811	B-4
Q3853	D-4	IC3812	B-6
Q3861	D-2	IC3813	D-9
Q3862	D-2	IC3821	C-7
Q3863	D-3	IC3822	B-5
Q3864	D-1	IC3831	C-6
Transistor-resistors		IC3841	D-8
		IC3871	C-2
		IC3881	B-2
QR3841 A-5 QR3842 B-5 QR3843 B-5 QR3851 B-1 QR3852 B-1 QR3853 B-1 QR3861 B-1 QR3862 B-1 QR3863 D-3		Connectors	
		J3871	C-5
		J3881	B-5
		PS3801	A-4

ADDRESS INFORMATION



## 7. VIDEO COMP C.B.A. (FOR U, C MODELS)

## U, C MODELS



## SECTION 4 EXPLODED VIEWS & REPLACEMENT PARTS LIST

### 1. Electrical Replacement Parts List

#### ■ WARNING

Components having special characteristics are marked  $\Delta$  and must be replaced with parts having specifications equal to those originally installed.

$\Delta$  and must be replaced with parts having specifications equal to those originally installed.

#### ABBREVIATIONS IN THIS LIST ARE AS FOLLOWS:

C.A.EL.CHP	: CHIP ALUMI. ELECTROLYTIC CAP	L.EMIT	: LIGHT EMITTING MODULE
C.CE	: CERAMIC CAP	LED.DSPLY	: LED DISPLAY
C.CE.ARRAY	: CERAMIC CAP ARRAY	LED.INFRD	: LED, INFRARED
C.CE.CHP	: CHIP CERAMIC CAP	MODUL.RF	: MODULEATOR, RF
C.CE.ML	: MULTILAYER CERAMIC CAP	PHOT.CPL	: PHOTO COUPLER
C.CE.M.CHP	: CHIP MULTILAYER CERAMIC CAP	PHOT.INTR	: PHOTO INTERRUPTER
C.CE.SAFETY	: RECOGNIZED CERAMIC CAP	PHOT.RFLCT	: PHOTO REFLECTOR
C.CE.TUBLR	: CERAMIC TUBULAR CAP	PIN.TEST	: PIN, TEST POINT
C.CE.SMI	: SEMI CONDUCTIVE CERAMIC CAP	PLST.RIVET	: PLASTIC RIVET
C.EL	: ELECTROLYTIC CAP	R.ARRAY	: RESISTOR ARRAY
C.MICA	: MICA CAP	R.CAR	: CARBON RESISTOR
C.ML.FLM	: MULTILAYER FILM CAP	R.CAR.CHP	: CHIP RESISTOR
C.MP	: METALLIZED PAPER CAP	R.CAR.FP	: FLAME PROOF CARBON RESISTOR
C.MYLAR	: MYLAR FILM CAP	R.FUS	: FUSABLE RESISTOR
C.MYLAR.ML	: MULTILAYER MYLAR FILM CAP	R.MTL.CHP	: CHIP METAL FILM RESISTOR
C.PAPER	: PAPER CAPACITOR	R.MTL.FLM	: METAL FILM RESISTOR
C.PLS	: POLYSTYRENE FILM CAP	R.MTL.OXD	: METAL OXIDE FILM RESISTOR
C.POL	: POLYESTER FILM CAP	R.MTL.PLAT	: METAL PLATE RESISTOR
C.POLY	: POLYETHYLENE FILM CAP	RSNR.CE	: CERAMIC RESONATOR
C.PP	: POLYPROPYLENE FILM CAP	RSNR.CRYS	: CRYSTAL RESONATOR
C.TNTL	: TANTALUM CAP	R.TW.CEM	: TWIN CEMENT FIXED RESISTOR
C.TNTL.CHP	: CHIP TANTALUM CAP	R.WW	: WIRE WOUND RESISTOR
C.TRIM	: TRIMMER CAP	SCR.BND.HD	: BIND HEAD B-TITE SCREW
CN	: CONNECTOR	SCR.BW.HD	: BW HEAD TAPPING SCREW
CN.BS.PIN	: CONNECTOR, BASE PIN	SCR.CUP	: CUP TITE SCREW
CN.CANNON	: CONNECTOR, CANNON	SCR.TERM	: SCREW TERMINAL
CN.DIN	: CONNECTOR, DIN	SCR.TR	: SCREW, TRANSISTOR
CN.FLAT	: CONNECTOR, FLAT CABLE	SUPRT.PCB	: SUPPORT, P.C.B.
CN.POST	: CONNECTOR, BASE POST	SURG.PRTCT	: SURGE PROTECTOR
COIL.MX.AM	: COIL, AM MIX	SW.TACT	: TACT SWITCH
COIL.AT.FM	: COIL, FM ANTENNA	SW.LEAF	: LEAF SWITCH
COIL.DT.FM	: COIL, FM DETECT	SW.LEVER	: LEVER SWITCH
COIL.MX.FM	: COIL, FM MIX	SW.MICRO	: MICRO SWITCH
COIL.OUTPT	: OUTPUT COIL	SW.PUSH	: PUSH SWITCH
DIOD.ARRAY	: DIODE ARRAY	SW.RT.ENC	: ROTARY ENCODER
DIODE.BRG	: DIODE BRIDGE	SW.RT.MTR	: ROTARY SWITCH WITH MOTOR
DIODE.CHP	: CHIP DIODE	SW.RT	: ROTARY SWITCH
DIODE.VAR	: VARACTOR DIODE	SW.SLIDE	: SLIDE SWITCH
DIOD.Z.CHP	: CHIP ZENER DIODE	TERM.SP	: SPEAKER TERMINAL
DIODE.ZENR	: ZENER DIODE	TERM.WRAP	: WRAPPING TERMINAL
DSCR.CE	: CERAMIC DISCRIMINATOR	THRMST.CHP	: CHIP THERMISTOR
FER.BEAD	: FERRITE BEADS	TR.CHP	: CHIP TRANSISTOR
FER.CORE	: FERRITE CORE	TR.DGT	: DIGITAL TRANSISTOR
FET.CHP	: CHIP FET	TR.DGT.CHP	: CHIP DIGITAL TRANSISTOR
FL.DSPLY	: FLUORESCENT DISPLAY	TRANS	: TRANSFORMER
FLTR.CE	: CERAMIC FILTER	TRANS.PULS	: PULSE TRANSFORMER
FLTR.COMB	: COMB FILTER MODULE	TRANS.PWR	: POWER TRANSFORMER ASS'Y
FLTR.LC.RF	: LC FILTER, EMI	TUNER.AM	: TUNER PACK, AM
GND.MTL	: GROUND PLATE	TUNER.FM	: TUNER PACK, FM
GND.TERM	: GROUND TERMINAL	TUNER.PK	: FRONT-END TUNER PACK
HOLDER.FUS	: FUSE HOLDER	VR	: ROTARY POTENTIOMETER
IC.PRTCT	: IC PROTECTOR	VR.MTR	: POTENTIOMETER WITH MOTOR
JUMPER.CN	: JUMPER CONNECTOR	VR.SW	: POTENTIOMETER WITH ROTARY SW
JUMPER.TST	: JUMPER, TEST POINT	VR.SLIDE	: SLIDE POTENTIOMETER
L.DTCT	: LIGHT DETECTING MODULE	VR.TRIM	: TRIMMER POTENTIOMETER

Schm Ref.	PART NO.	Description	REMARKS
△	AAX01190	P.C.B.	POWER SWITCH
	AAX01210	P.C.B.	COMPONENT VIDEO(U)
	AAX01220	P.C.B.	HEAD PHONES
	AAX01230	P.C.B.	FRONT SWITCH
	AAX01240	P.C.B.	MECH. LOADING
	AAX06040	P.C.B.	SCART(BG)
	AAX06100	P.C.B.	MOTHER(UC)
	AAX06110	P.C.B.	MOTHER(BG)
	AAX06120	P.C.B.	MOTHER(A)
	AAX06130	P.C.B.	MODULE(ABG)
	AAX06140	P.C.B.	MODULE(UC)
△	AAX06310	P.C.B.	POWER(UC)
△	AAX06320	P.C.B.	POWER(ABG)
△	C1003	AAX05310	C.EL 0.068uF 250V(UC)
△	C1003	AAX06080	C.POL 0.01uF 250V(ABG)
△	C1005	AAX05320	C.EL 1000pF 250V(UC)
△	C1005	NX702590	C.CE VCK0286B471(G)
△	C1005	NX702590	C.CE VCK0286B471(A)
△	C1005	NX702590	C.CE VCK0286B471(B)
△	C1008	AAX05320	C.EL 1000pF 250V(UC)
△	C1008	NX702590	C.CE VCK0286B471(B)
△	C1008	NX702590	C.CE VCK0286B471(G)
△	C1008	NX702590	C.CE VCK0286B471(A)
△	C1010	AAX05330	C.EL 2200pF 250V(UC)
△	C1010	NX702600	C.CE VCK0286E102(B)
△	C1010	NX702600	C.CE VCK0286E102(G)
△	C1010	NX702600	C.CE VCK0286E102(A)
△	C1011	AAX05310	C.EL 0.068uF 250V(UC)
△	C1011	AAX06080	C.POL 0.01uF 250V(A)
△	C1011	AAX06080	C.POL 0.01uF 250V(B)
△	C1011	AAX06080	C.POL 0.01uF 250V(G)
	C1018	FX612650	C.EL 68uF (G)
	C1018	FX612650	C.EL 68uF (A)
	C1018	FX612650	C.EL 68uF (B)
	C1019	NX703920	C.EL 100uF 250V(UC)
	C1021	FX612780	C.CE 0.01uF 500V
	C1022	FX612630	C.EL
	C1031	FX612770	C. 47uF 35V
	C1041	FX612830	C.POL 0.01uF
	C1052	FX612790	C.CE 0.001uF 50V
	C1053	FX612680	C. 330uF 6.3V
	C1101	AAX06090	C.POL 0.1uF 50V
	C1111	AAX05240	C.EL 1800uF 10V(ABG)
	C1111	AAX05680	C.CE 1800uF 10V CH(UC)
	C1112	AAX05240	C.EL 1800uF 10V(ABG)
	C1112	AAX05680	C.CE 1800uF 10V CH(UC)
	C1114	FX612710	C. 2200uF 10V
	C1115	NX702090	C.EL 0.1uF 25V
	C1116	AAX05260	C.EL 220uF 10V
	C1117	NX701990	C.EL 220uF 10V
	C1121	FX611470	C.EL 1000uF 6.3VCH
	C1131	AAX05300	C.EL 150uF 35V
	C1133	FX612760	C. 33uF 25V

Schm Ref.	PART NO.	Description	REMARKS
C1141	AAX05300	C.EL 150uF 35V	VCEA1VJH151
C1143	FX612760	C. 33uF 25V	VCEA1EJC330
C1151	AAX05290	C.EL 270uF 25V(UC)	VCEA1EJH271
C1151	FX611840	C.EL 390uF 25V(ABG)	EEUFA1E391
C1153	FX612750	C. 220uF 25V	VCEA1EJC221
C1154	AAX05280	C.EL 220uF 16V	VCEA1CJC221
C1161	NX702120	C.CE 82uF 50V	VCEA1HJH820
C1171	FX612720	C. 330uF 10V	VCEA1AJH331
C2001	NX702420	C.CE 3.3uF 10V	ECUM1A335KBM
C2002	AAX05620	C.CE 0.039uF 16V CH	ECUX1C393KBV
C2003	AAX05620	C.CE 0.039uF 16V CH	ECUX1C393KBV
C2004	AAX05620	C.CE 0.039uF 16V CH	ECUX1C393KBV
C2005	AAX05620	C.CE 0.039uF 16V CH	ECUX1C393KBV
C2006	NX702100	C.EL 100uF 6.3V	EEVHBOJ101
C2007	FX612220	C.CE 0.1uF 16V CH	ECUX1C104ZFV
C2008	FX612220	C.CE 0.1uF 16V CH	ECUX1C104ZFV
C2009	FX612440	C.CE 47pF 50V CH	ECUX1H470JCV
C2010	FX612220	C.CE 0.1uF 16V CH	ECUX1C104ZFV
C2012	FX612430	C.CE 330P 50V CH	ECUX1H331JCV
C2015	FX612420	C.CE 33P 50V CH	ECUX1H330JCV
C2016	FX612210	C.CE 0.1uF 16V CH	ECUX1C104KBV
C2019	FX612220	C.CE 0.1uF 16V CH	ECUX1C104ZFV
C2020	FX612220	C.CE 0.1uF 16V CH	ECUX1C104ZFV
C2021	FX612220	C.CE 0.1uF 16V CH	ECUX1C104ZFV
C2022	NX702420	C.CE 3.3uF 10V	ECUM1A335KBM
C2023	FX612220	C.CE 0.1uF 16V CH	ECUX1C104ZFV
C2024	FX612220	C.CE 0.1uF 16V CH	ECUX1C104ZFV
C2025	FX612300	C.CE 1000pF 50V CH	ECUX1H102KBV
C2026	FX612300	C.CE 1000pF 50V CH	ECUX1H102KBV
C2027	FX612220	C.CE 0.1uF 16V CH	ECUX1C104ZFV
C2028	FX612300	C.CE 1000pF 50V CH	ECUX1H102KBV
C2029	FX612220	C.CE 0.1uF 16V CH	ECUX1C104ZFV
C2030	FX612300	C.CE 1000pF 50V CH	ECUX1H102KBV
C2031	FX612220	C.CE 0.1uF 16V CH	ECUX1C104ZFV
C2032	AAX05670	C.CE 820pF 50V CH	ECUX1H821JCV
C2033	AAX05670	C.CE 820pF 50V CH	ECUX1H821JCV
C2034	AAX05650	C.CE 270pF 50V CH	ECUX1H271JCV
C2036	AAX05660	C.CE 470pF 50V CH	ECUX1H471JCV
C2037	FX612430	C.CE 330P 50V CH	ECUX1H331JCV
C2038	AAX05670	C.CE 820pF 50V CH	ECUX1H821JCV
C2040	NX702550	C.CE 3900pF 50V CH	ECUX1H392KBV
C2041	FX612220	C.CE 0.1uF 16V CH	ECUX1C104ZFV
C2042	FX612220	C.CE 0.1uF 16V CH	ECUX1C104ZFV
C2043	AAX05630	C.CE 0.082uF 16V CH	ECUX1C823KBV
C2044	AAX05630	C.CE 0.082uF 16V CH	ECUX1C823KBV
C2045	FX612210	C.CE 0.1uF 16V CH	ECUX1C104KBV
C2501	NX702100	C.EL 100uF 6.3V	EEVHBOJ101
C2502	FX611790	C.EL 330uF 6.3VCH	ECEV0JA331
C2503	FX612310	C.CE 0.01uF 50V CH	ECUX1H103KBV
C2504	FX612310	C.CE 0.01uF 50V CH	ECUX1H103KBV
C2505	FX612310	C.CE 0.01uF 50V CH	ECUX1H103KBV
C2506	FX612220	C.CE 0.1uF 16V CH	ECUX1C104ZFV
C2507	FX612210	C.CE 0.1uF 16V CH	ECUX1C104KBV

Schm Ref.	PART NO.	Description		REMARKS
C2508	FX612210	C.CE	0.1uF 16V CH	ECUX1C104KBV
C2509	FX612220	C.CE	0.1uF 16V CH	ECUX1C104ZFV
C2510	FX612210	C.CE	0.1uF 16V CH	ECUX1C104KBV
C2511	FX612210	C.CE	0.1uF 16V CH	ECUX1C104KBV
C2512	FX612210	C.CE	0.1uF 16V CH	ECUX1C104KBV
C2513	FX612220	C.CE	0.1uF 16V CH(UC)	ECUX1C104ZFV
C3001	FX611790	C.EL	330uF 6.3VCH	ECEV0JA331
C3002	FX611790	C.EL	330uF 6.3VCH	ECEV0JA331
C3003	FX612220	C.CE	0.1uF 16V CH	ECUX1C104ZFV
C3004	FX612220	C.CE	0.1uF 16V CH	ECUX1C104ZFV
C3005	FX612220	C.CE	0.1uF 16V CH	ECUX1C104ZFV
C3006	FX612220	C.CE	0.1uF 16V CH	ECUX1C104ZFV
C3007	FX612220	C.CE	0.1uF 16V CH	ECUX1C104ZFV
C3008	FX612220	C.CE	0.1uF 16V CH	ECUX1C104ZFV
C3009	FX612220	C.CE	0.1uF 16V CH	ECUX1C104ZFV
C3010	FX612220	C.CE	0.1uF 16V CH	ECUX1C104ZFV
C3011	FX612220	C.CE	0.1uF 16V CH	ECUX1C104ZFV
C3012	FX612220	C.CE	0.1uF 16V CH	ECUX1C104ZFV
C3013	FX612220	C.CE	0.1uF 16V CH	ECUX1C104ZFV
C3014	FX612220	C.CE	0.1uF 16V CH	ECUX1C104ZFV
C3015	FX612220	C.CE	0.1uF 16V CH	ECUX1C104ZFV
C3016	FX612220	C.CE	0.1uF 16V CH	ECUX1C104ZFV
C3017	FX612220	C.CE	0.1uF 16V CH	ECUX1C104ZFV
C3018	FX612220	C.CE	0.1uF 16V CH	ECUX1C104ZFV
C3019	FX612220	C.CE	0.1uF 16V CH	ECUX1C104ZFV
C3020	FX612220	C.CE	0.1uF 16V CH	ECUX1C104ZFV
C3021	FX612220	C.CE	0.1uF 16V CH	ECUX1C104ZFV
C3022	FX612220	C.CE	0.1uF 16V CH	ECUX1C104ZFV
C3023	FX612220	C.CE	0.1uF 16V CH	ECUX1C104ZFV
C3024	FX612220	C.CE	0.1uF 16V CH	ECUX1C104ZFV
C3025	FX612220	C.CE	0.1uF 16V CH	ECUX1C104ZFV
C3026	FX612220	C.CE	0.1uF 16V CH	ECUX1C104ZFV
C3031	FX611790	C.EL	330uF 6.3VCH	ECEV0JA331
C3032	FX611980	C.CE	1uF 10V CH	ECUM1A105KBN
C3033	FX611980	C.CE	1uF 10V CH	ECUM1A105KBN
C3034	FX611980	C.CE	1uF 10V CH	ECUM1A105KBN
C3035	FX612220	C.CE	0.1uF 16V CH	ECUX1C104ZFV
C3036	FX612220	C.CE	0.1uF 16V CH	ECUX1C104ZFV
C3037	FX612220	C.CE	0.1uF 16V CH	ECUX1C104ZFV
C3038	FX612220	C.CE	0.1uF 16V CH	ECUX1C104ZFV
C3039	FX612220	C.CE	0.1uF 16V CH	ECUX1C104ZFV
C3040	FX612220	C.CE	0.1uF 16V CH	ECUX1C104ZFV
C3041	FX612220	C.CE	0.1uF 16V CH	ECUX1C104ZFV
C3042	FX612220	C.CE	0.1uF 16V CH	ECUX1C104ZFV
C3043	FX612220	C.CE	0.1uF 16V CH	ECUX1C104ZFV
C3044	FX612380	C.CE	22pF 50V CH	ECUX1H220JCV
C3045	FX612380	C.CE	22pF 50V CH	ECUX1H220JCV
C3046	FX612380	C.CE	22pF 50V CH	ECUX1H220JCV
C3047	FX612380	C.CE	22pF 50V CH	ECUX1H220JCV
C3048	FX612380	C.CE	22pF 50V CH	ECUX1H220JCV
C3051	FX612220	C.CE	0.1uF 16V CH	ECUX1C104ZFV
C3052	FX612220	C.CE	0.1uF 16V CH	ECUX1C104ZFV
C3053	FX612220	C.CE	0.1uF 16V CH	ECUX1C104ZFV

Schm Ref.	PART NO.	Description		REMARKS
C3054	FX612220	C.CE	0.1uF 16V CH	ECUX1C104ZFV
C3055	NX702720	C.TNTL	10uF 10V	ECST1AY106Z
C3056	FX612220	C.CE	0.1uF 16V CH	ECUX1C104ZFV
C3061	FX612220	C.CE	0.1uF 16V CH (ABG)	ECUX1C104ZFV
C3062	FX612220	C.CE	0.1uF 16V CH (ABG)	ECUX1C104ZFV
C3063	FX612220	C.CE	0.1uF 16V CH (ABG)	ECUX1C104ZFV
C3064	FX612220	C.CE	0.1uF 16V CH (ABG)	ECUX1C104ZFV
C3065	NX702720	C.TNTL	10uF 10V(ABG)	ECST1AY106Z
C3066	FX612220	C.CE	0.1uF 16V CH (ABG)	ECUX1C104ZFV
C3201	FX612220	C.CE	0.1uF 16V CH	ECUX1C104ZFV
C3211	FX612220	C.CE	0.1uF 16V CH	ECUX1C104ZFV
C3221	FX612220	C.CE	0.1uF 16V CH	ECUX1C104ZFV
C3231	FX612220	C.CE	0.1uF 16V CH	ECUX1C104ZFV
C3241	FX612220	C.CE	0.1uF 16V CH (ABG)	ECUX1C104ZFV
C3251	FX612220	C.CE	0.1uF 16V CH	ECUX1C104ZFV
C3252	FX612220	C.CE	0.1uF 16V CH	ECUX1C104ZFV
C3253	FX612220	C.CE	0.1uF 16V CH	ECUX1C104ZFV
C3254	FX612220	C.CE	0.1uF 16V CH	ECUX1C104ZFV
C3255	FX612210	C.CE	0.1uF 16V CH	ECUX1C104KBV
C3256	FX611980	C.CE	1uF 10V CH	ECUM1A105KBN
C3257	FX612220	C.CE	0.1uF 16V CH	ECUX1C104ZFV
C3258	FX612220	C.CE	0.1uF 16V CH	ECUX1C104ZFV
C3259	FX612220	C.CE	0.1uF 16V CH	ECUX1C104ZFV
C3260	FX612220	C.CE	0.1uF 16V CH	ECUX1C104ZFV
C3261	FX612210	C.CE	0.1uF 16V CH	ECUX1C104KBV
C3271	FX612220	C.CE	0.1uF 16V CH	ECUX1C104ZFV
C3272	FX612220	C.CE	0.1uF 16V CH	ECUX1C104ZFV
C3281	NX702100	C.EL	100uF 6.3V	EEVHB0J101
C3282	AAX05720	C.TNTL	10uF 16V CH	ECST1CX106Z
C3283	NX702100	C.EL	100uF 6.3V	EEVHB0J101
C3284	FX612220	C.CE	0.1uF 16V CH	ECUX1C104ZFV
C3285	FX612220	C.CE	0.1uF 16V CH	ECUX1C104ZFV
C3286	NX702100	C.EL	100uF 6.3V	EEVHB0J101
C3301	FX612220	C.CE	0.1uF 16V CH	ECUX1C104ZFV
C3302	FX611890	C.EL	10uF 16V	EEVHB1C100
C3303	FX612220	C.CE	0.1uF 16V CH	ECUX1C104ZFV
C3304	FX612220	C.CE	0.1uF 16V CH	ECUX1C104ZFV
C3305	FX611880	C.EL	33uF 6.3V	EEVHB0J330
C3306	FX611980	C.CE	1uF 10V CH	ECUM1A105KBN
C3307	FX612220	C.CE	0.1uF 16V CH	ECUX1C104ZFV
C3321	FX612210	C.CE	0.1uF 16V CH	ECUX1C104KBV
C3322	FX612220	C.CE	0.1uF 16V CH	ECUX1C104ZFV
C3323	FX612210	C.CE	0.1uF 16V CH	ECUX1C104KBV
C3324	FX612210	C.CE	0.1uF 16V CH	ECUX1C104KBV
C3326	FX612220	C.CE	0.1uF 16V CH	ECUX1C104ZFV
C3500	AAX05170	C.EL	330uF 6.3V(ABG)	ECEA0JKA331
C3500	FX611490	C.EL	470uF 6.3V(UC)	ECA0JM471
C3501	FX611480	C.EL	220uF 6.3V	ECA0JM221
C3502	FX612080	C.CE	0.01uF 50V CH	ECUM1H103ZFN
C3503	FX612100	C.CE	15pF 50V CH	ECUM1H150JCN
C3504	FX612080	C.CE	0.01uF 50V CH	ECUM1H103ZFN
C3505	FX612080	C.CE	0.01uF 50V CH	ECUM1H103ZFN
C3506	FX612080	C.CE	0.01uF 50V CH	ECUM1H103ZFN

Schm Ref.	PART NO.	Description		REMARKS
C3511	FX612070	C.CE	0.01uF 50V CH	ECUM1H103KBN
C3512	FX612080	C.CE	0.01uF 50V CH	ECUM1H103ZFN
C3513	FX612080	C.CE	0.01uF 50V CH	ECUM1H103ZFN
C3514	FX612080	C.CE	0.01uF 50V CH	ECUM1H103ZFN
C3531	FX611480	C.EL	220uF 6.3V	ECA0JM221
C3532	FX612080	C.CE	0.01uF 50V CH	ECUM1H103ZFN
C3533	NX702060	C.EL	47uF 16V	ECEA1CKA470
C3534	FX612070	C.CE	0.01uF 50V CH	ECUM1H103KBN
C3535	FX611480	C.EL	220uF 6.3V	ECA0JM221
C3536	FX612080	C.CE	0.01uF 50V CH	ECUM1H103ZFN
C3537	FX612640	C.EL	10uF 16V	ECEA1CKA100
C3538	FX611490	C.EL	470uF 6.3V	ECA0JM471
C3539	FX612640	C.EL	10uF 16V	ECEA1CKA100
C3540	FX611470	C.EL	1000uF 6.3VCH	ECA0JM102
C3541	FX612070	C.CE	0.01uF 50V CH	ECUM1H103KBN
C3542	FX612070	C.CE	0.01uF 50V CH	ECUM1H103KBN
C3549	FX612080	C.CE	0.01uF 50V CH	ECUM1H103ZFN
C3550	FX612080	C.CE	0.01uF 50V CH	ECUM1H103ZFN
C3551	FX611480	C.EL	220uF 6.3V	ECA0JM221
C3552	FX612080	C.CE	0.01uF 50V CH	ECUM1H103ZFN
C3553	FX612100	C.CE	15pF 50V CH(BG)	ECUM1H150JCN
C3554	FX612080	C.CE	0.01uF 50V CH(BG)	ECUM1H103ZFN
C3561	FX612100	C.CE	15pF 50V CH(BG)	ECUM1H150JCN
C3562	FX612080	C.CE	0.01uF 50V CH(BG)	ECUM1H103ZFN
C3562	FX612080	C.CE	0.01uF 50V CH(UC)	ECUM1H103ZFN
C3571	FX612100	C.CE	15pF 50V CH(BG)	ECUM1H150JCN
C3572	FX612080	C.CE	0.01uF 50V CH(UC)	ECUM1H103ZFN
C3572	FX612080	C.CE	0.01uF 50V CH(BG)	ECUM1H103ZFN
C3581	FX611600	C.EL	220uF 6.3V(UC)	ECEA0JKA221
C3582	FX612080	C.CE	0.01uF 50V CH(UC)	ECUM1H103ZFN
C3585	AA05170	C.EL	330uF 6.3V(UC)	ECEA0JKA331
C3586	NX702040	C.EL	22uF 16V(UC)	ECEA1CKA220
C3587	AA05170	C.EL	330uF 6.3V(UC)	ECEA0JKA331
C3588	NX702040	C.EL	22uF 16V(UC)	ECEA1CKA220
C3601	FX612120	C.CE	18pF 50V CH	ECUM1H180JCN
C3602	FX612070	C.CE	0.01uF 50V CH	ECUM1H103KBN
C3603	FX612080	C.CE	0.01uF 50V CH	ECUM1H103ZFN
C3604	NX702050	C.EL	33uF 16V	ECEA1CKA330
C3605	NX702070	C.EL	1uF 50V	ECEA1HKA010
C3606	FX612080	C.CE	0.01uF 50V CH	ECUM1H103ZFN
C3607	NX702030	C.EL	100uF 16V	ECEA1CKA101
C3608	FX611490	C.EL	470uF 6.3V	ECA0JM471
C3609	FX612080	C.CE	0.01uF 50V CH	ECUM1H103ZFN
C3801	AA05200	C.EL	47uF 25V(BG)	ECEA1EKA470
C3802	NX702060	C.EL	47uF 16V(BG)	ECEA1CKA470
C3803	AA05200	C.EL	47uF 25V(BG)	ECEA1EKA470
C3804	FX612090	C.CE	0.1uF 50V CH(BG)	ECUM1H104ZFN
C3805	FX612090	C.CE	0.1uF 50V CH(BG)	ECUM1H104ZFN
C3806	NX702060	C.EL	47uF 16V(BG)	ECEA1CKA470
C3811	FX612090	C.CE	0.1uF 50V CH(BG)	ECUM1H104ZFN
C3812	FX612090	C.CE	0.1uF 50V CH(BG)	ECUM1H104ZFN
C3813	FX612090	C.CE	0.1uF 50V CH(BG)	ECUM1H104ZFN
C3814	FX612090	C.CE	0.1uF 50V CH(BG)	ECUM1H104ZFN

Schm Ref.	PART NO.	Description		REMARKS
C3815	FX612090	C.CE	0.1uF 50V CH(BG)	ECUM1H104ZFN
C3816	FX612090	C.CE	0.1uF 50V CH(BG)	ECUM1H104ZFN
C3821	FX612090	C.CE	0.1uF 50V CH(BG)	ECUM1H104ZFN
C3822	FX612090	C.CE	0.1uF 50V CH(BG)	ECUM1H104ZFN
C3823	FX612090	C.CE	0.1uF 50V CH(BG)	ECUM1H104ZFN
C3824	FX612090	C.CE	0.1uF 50V CH(BG)	ECUM1H104ZFN
C3831	FX612090	C.CE	0.1uF 50V CH(BG)	ECUM1H104ZFN
C3832	NX702030	C.EL	100uF 16V(BG)	ECEA1CKA101
C3833	FX611740	C.EL	4.7uF 50V(BG)	ECEA1HKA4R7
C3834	FX611590	C.EL	100uF 6.3V(BG)	ECEA0JKA101
C3835	AA05170	C.EL	330uF 6.3V(BG)	ECEA0JKA331
C3836	AA05170	C.EL	330uF 6.3V(BG)	ECEA0JKA331
C3837	FX611590	C.EL	100uF 6.3V(BG)	ECEA0JKA101
C3838	FX611740	C.EL	4.7uF 50V(BG)	ECEA1HKA4R7
C3839	FX612090	C.CE	0.1uF 50V CH(BG)	ECUM1H104ZFN
C3840	NX702030	C.EL	100uF 16V(BG)	ECEA1CKA101
C3841	AA05190	C.EL	47uF 6.3V(BG)	ECEA1AKN470
C3842	AA05190	C.EL	47uF 6.3V(BG)	ECEA1AKN470
C3843	AA05190	C.EL	47uF 6.3V(BG)	ECEA1AKN470
C3844	NX702040	C.EL	22uF 16V(BG)	ECEA1CKA220
C3845	FX611590	C.EL	100uF 6.3V(BG)	ECEA0JKA101
C3846	NX702040	C.EL	22uF 16V(BG)	ECEA1CKA220
C3847	FX611590	C.EL	100uF 6.3V(BG)	ECEA0JKA101
C3848	NX702040	C.EL	22uF 16V(BG)	ECEA1CKA220
C3849	FX611590	C.EL	100uF 6.3V(BG)	ECEA0JKA101
C3871	FX612090	C.CE	0.1uF 50V CH(BG)	ECUM1H104ZFN
C3872	FX612090	C.CE	0.1uF 50V CH(BG)	ECUM1H104ZFN
C3873	FX612050	C.CE	100pF 50V CH(BG)	ECUM1H101JCN
C3874	AA05590	C.CE	470pF 50V CH(BG)	ECUM1H471JCN
C3875	FX612050	C.CE	100pF 50V CH(BG)	ECUM1H101JCN
C3876	AA05590	C.CE	470pF 50V CH(BG)	ECUM1H471JCN
C3881	FX612090	C.CE	0.1uF 50V CH(BG)	ECUM1H104ZFN
C3882	FX612090	C.CE	0.1uF 50V CH(BG)	ECUM1H104ZFN
C3883	AA05590	C.CE	470pF 50V CH(BG)	ECUM1H471JCN
C3884	AA05590	C.CE	470pF 50V CH(BG)	ECUM1H471JCN
C3885	AA05590	C.CE	470pF 50V CH(BG)	ECUM1H471JCN
C3886	AA05590	C.CE	470pF 50V CH(BG)	ECUM1H471JCN
C4201	FX612090	C.CE	0.1uF 50V CH	ECUM1H104ZFN
C4202	FX612090	C.CE	0.1uF 50V CH	ECUM1H104ZFN
C4203	FX612090	C.CE	0.1uF 50V CH	ECUM1H104ZFN
C4204	AA05270	C.EL	10uF 16V	VCEA1CAW100
C4205	FX612090	C.CE	0.1uF 50V CH	ECUM1H104ZFN
C4206	AA05120	C.EL	1000uF 6.3V	ECA0JPX102
C4207	AA05270	C.EL	10uF 16V	VCEA1CAW100
C4208	FX612090	C.CE	0.1uF 50V CH	ECUM1H104ZFN
C4211	FX612090	C.CE	0.1uF 50V CH	ECUM1H104ZFN
C4212	FX612090	C.CE	0.1uF 50V CH	ECUM1H104ZFN
C4213	FX612090	C.CE	0.1uF 50V CH	ECUM1H104ZFN
C4214	AA05270	C.EL	10uF 16V	VCEA1CAW100
C4215	FX612090	C.CE	0.1uF 50V CH	ECUM1H104ZFN
C4216	AA05120	C.EL	1000uF 6.3V	ECA0JPX102
C4217	AA05270	C.EL	10uF 16V	VCEA1CAW100
C4218	FX612090	C.CE	0.1uF 50V CH	ECUM1H104ZFN

DVD-S795/S705

Schm Ref.	PART NO.	Description		REMARKS
C4219	NX704170	C.POL	0.022uF 50V	ECHR1H223JZ
C4221	FX612090	C.CE	0.1uF 50V CH	ECUM1H104ZFN
C4222	FX612090	C.CE	0.1uF 50V CH	ECUM1H104ZFN
C4223	FX612090	C.CE	0.1uF 50V CH	ECUM1H104ZFN
C4224	AA05270	C.EL	10uF 16V	VCEA1CAW100
C4225	FX612090	C.CE	0.1uF 50V CH	ECUM1H104ZFN
C4227	AA05270	C.EL	10uF 16V	VCEA1CAW100
C4228	FX612090	C.CE	0.1uF 50V CH	ECUM1H104ZFN
C4232	FX612090	C.CE	0.1uF 50V CH	ECUM1H104ZFN
C4241	FX612220	C.CE	0.1uF 16V CH	ECUX1C104ZFV
C4242	FX611800	C.EL	39pF 50V CH	ECUX1H390JCV
C4251	FX612090	C.CE	0.1uF 50V CH(BG)	ECUM1H104ZFN
C4271	FX612130	C.CE	22pF 50V CH(ABG)	ECUM1H220JCN
C4272	FX612130	C.CE	22pF 50V CH	ECUM1H220JCN
C4273	FX612130	C.CE	22pF 50V CH	ECUM1H220JCN
C4274	FX612130	C.CE	22pF 50V CH	ECUM1H220JCN
C4275	FX612090	C.CE	0.1uF 50V CH	ECUM1H104ZFN
C4276	AA05580	C.CE	47pF 50V CH	ECUM1H470JCN
C4277	FX612090	C.CE	0.1uF 50V CH	ECUM1H104ZFN
C4281	FX612090	C.CE	0.1uF 50V CH	ECUM1H104ZFN
C4282	FX612090	C.CE	0.1uF 50V CH	ECUM1H104ZFN
C4283	FX612090	C.CE	0.1uF 50V CH	ECUM1H104ZFN
C4301	NX703940	C.EL	47uF 6.3V	VCEA0JAE470
C4302	FX612530	C.POL	100pF 50V	ECHR1H101JZ
C4304	NX703890	C.EL	470uF 10V	ECA1APX471
C4305	FX612080	C.CE	0.01uF 50V CH	ECUM1H103ZFN
C4311	NX703940	C.EL	47uF 6.3V	VCEA0JAE470
C4312	FX612530	C.POL	100pF 50V	ECHR1H101JZ
C4314	NX703890	C.EL	470uF 10V	ECA1APX471
C4315	FX612080	C.CE	0.01uF 50V CH	ECUM1H103ZFN
C4321	AA06070	C.POL	0.01uF 50V	ECHR1H103JZ
C4322	FX612540	C.POL	1000pF 50V	ECHR1H102JZ
C4331	AA06070	C.POL	0.01uF 50V	ECHR1H103JZ
C4332	FX612540	C.POL	1000pF 50V	ECHR1H102JZ
C4341	FX611520	C.EL	10uF 16V	ECA1CAK100X
C4342	FX612060	C.CE	1000pF 50V CH	ECUM1H102JCN
C4343	FX612050	C.CE	100pF 50V CH	ECUM1H101JCN
C4351	FX611520	C.EL	10uF 16V	ECA1CAK100X
C4352	FX612060	C.CE	1000pF 50V CH	ECUM1H102JCN
C4353	FX612050	C.CE	100pF 50V CH	ECUM1H101JCN
C4361	FX611620	C.EL	47uF 6.3V	ECEA0JPZ470
C4362	FX612060	C.CE	1000pF 50V CH	ECUM1H102JCN
C4363	FX612050	C.CE	100pF 50V CH	ECUM1H101JCN
C4371	FX611550	C.EL	47uF 16V	ECA1CAK470X
C4372	FX612060	C.CE	1000pF 50V CH	ECUM1H102JCN
C4373	FX612050	C.CE	100pF 50V CH	ECUM1H101JCN
C4390	FX612090	C.CE	0.1uF 50V CH	ECUM1H104ZFN
C4391	FX611520	C.EL	10uF 16V	ECA1CAK100X
C4392	FX611520	C.EL	10uF 16V	ECA1CAK100X
C4393	FX612090	C.CE	0.1uF 50V CH	ECUM1H104ZFN
C4394	FX612090	C.CE	0.1uF 50V CH	ECUM1H104ZFN
C4395	FX611520	C.EL	10uF 16V	ECA1CAK100X
C4396	FX611550	C.EL	47uF 16V	ECA1CAK470X

Schm Ref.	PART NO.	Description		REMARKS
C4397	FX611530	C.EL	100uF 16V	ECA1CAK101X
C4398	FX612090	C.CE	0.1uF 50V CH	ECUM1H104ZFN
C4399	FX611530	C.EL	100uF 16V	ECA1CAK101X
C4401	FX611520	C.EL	10uF 16V	ECA1CAK100X
C4402	FX612120	C.CE	18pF 50V CH	ECUM1H180JCN
C4403	FX611550	C.EL	47uF 16V	ECA1CAK470X
C4411	FX611520	C.EL	10uF 16V	ECA1CAK100X
C4412	FX612120	C.CE	18pF 50V CH	ECUM1H180JCN
C4413	FX611550	C.EL	47uF 16V	ECA1CAK470X
C4421	FX611520	C.EL	10uF 16V	ECA1CAK100X
C4422	FX612120	C.CE	18pF 50V CH	ECUM1H180JCN
C4423	FX611550	C.EL	47uF 16V	ECA1CAK470X
C4431	FX611520	C.EL	10uF 16V	ECA1CAK100X
C4432	FX612120	C.CE	18pF 50V CH	ECUM1H180JCN
C4434	FX611550	C.EL	47uF 16V	ECA1CAK470X
C4441	FX611510	C.EL	47uF 10V	ECA1ANK470X
C4442	FX611550	C.EL	47uF 16V	ECA1CAK470X
C4451	NX704170	C.POL	0.022uF 50V	ECHR1H223JZ
C4452	NX704170	C.POL	0.022uF 50V	ECHR1H223JZ
C4453	NX703940	C.EL	47uF 6.3V	VCEA0JAE470
C4454	NX703940	C.EL	47uF 6.3V	VCEA0JAE470
C4463	FX612090	C.CE	0.1uF 50V CH	ECUM1H104ZFN
C4501	FX612060	C.CE	1000pF 50V CH	ECUM1H102JCN
C4511	FX612060	C.CE	1000pF 50V CH	ECUM1H102JCN
C4531	FX612060	C.CE	1000pF 50V CH	ECUM1H102JCN
C4532	FX612060	C.CE	1000pF 50V CH	ECUM1H102JCN
C4541	FX612060	C.CE	1000pF 50V CH	ECUM1H102JCN
C4551	FX612060	C.CE	1000pF 50V CH	ECUM1H102JCN
C4561	FX612060	C.CE	1000pF 50V CH	ECUM1H102JCN
C4571	FX612060	C.CE	1000pF 50V CH	ECUM1H102JCN
C4585	FX612090	C.CE	0.1uF 50V CH	ECUM1H104ZFN
C4586	FX612090	C.CE	0.1uF 50V CH	ECUM1H104ZFN
C4587	FX612090	C.CE	0.1uF 50V CH	ECUM1H104ZFN
C4588	FX612090	C.CE	0.1uF 50V CH	ECUM1H104ZFN
C4589	FX612090	C.CE	0.1uF 50V CH	ECUM1H104ZFN
C4591	FX611590	C.EL	100uF 6.3V	ECEA0JKA101
C4592	AA05210	C.EL	10uF 25V	ECEA1EKN100
C4701	FX612090	C.CE	0.1uF 50V CH	ECUM1H104ZFN
C4702	FX612090	C.CE	0.1uF 50V CH	ECUM1H104ZFN
C4731	FX612090	C.CE	0.1uF 50V CH	ECUM1H104ZFN
C4732	FX612090	C.CE	0.1uF 50V CH	ECUM1H104ZFN
C4733	FX612090	C.CE	0.1uF 50V CH	ECUM1H104ZFN
C4734	FX612080	C.CE	0.01uF 50V CH	ECUM1H103ZFN
C4735	FX612080	C.CE	0.01uF 50V CH	ECUM1H103ZFN
C4736	FX612090	C.CE	0.1uF 50V CH	ECUM1H104ZFN
C4737	FX612090	C.CE	0.1uF 50V CH	ECUM1H104ZFN
C4738	AA05180	C.EL	100uF 6.3V	ECEA1AKA101
C4739	AA05180	C.EL	100uF 6.3V	ECEA1AKA101
C4751	FX612090	C.CE	0.1uF 50V CH	ECUM1H104ZFN
C4752	FX611590	C.EL	100uF 6.3V	ECEA0JKA101
C4761	NX702440	C.CE	270pF 50V CH	ECUM1H271JCN
C4763	FX612090	C.CE	0.1uF 50V CH	ECUM1H104ZFN
C4764	FX611740	C.EL	4.7uF 50V	ECEA1HKA4R7



Schm Ref.	PART NO.	Description		REMARKS
C4771	FX612090	C.CE	0.1uF 50V CH	ECUM1H104ZFN
C4772	AA05570	C.CE	150pF 50V CH	ECUM1H151JCN
C4773	AA05570	C.CE	150pF 50V CH	ECUM1H151JCN
C4774	FX612060	C.CE	1000pF 50V CH	ECUM1H102JCN
C4781	FX611740	C.EL	4.7uF 50V	ECEA1HKA4R7
C4782	FX612090	C.CE	0.1uF 50V CH	ECUM1H104ZFN
C4901	FX612740	C.	47uF 16V	VCEA1CJC470
C4911	FX612750	C.	220uF 25V	VCEA1EJC221
C4912	FX612740	C.	47uF 16V	VCEA1CJC470
C4913	NX703880	C.EL	330uF 10V	ECA1APX331
C4914	NX703880	C.EL	330uF 10V	ECA1APX331
C4915	NX704190	C.POL	0.022uF 50V	ECQB1H223JF
C4916	NX704190	C.POL	0.022uF 50V	ECQB1H223JF
C4917	NX704190	C.POL	0.022uF 50V	ECQB1H223JF
C4918	NX703890	C.EL	470uF 10V	ECA1APX471
C4919	NX704190	C.POL	0.022uF 50V	ECQB1H223JF
C4920	NX703890	C.EL	470uF 10V	ECA1APX471
C5201	AA05250	C.EL	47uF 6.3V	EEVHB0J470
C5202	NX702720	C.TNTL	10uF 10V	ECST1AY106Z
C5203	FX612210	C.CE	0.1uF 16V CH	ECUX1C104KBV
C5204	FX612210	C.CE	0.1uF 16V CH	ECUX1C104KBV
C5205	FX612210	C.CE	0.1uF 16V CH	ECUX1C104KBV
C5206	FX612210	C.CE	0.1uF 16V CH	ECUX1C104KBV
C5207	FX611890	C.EL	10uF 16V	EEVHB1C100
C5208	AA05720	C.TNTL	10uF 16V CH	ECST1CX106Z
C5209	NX702500	C.CE	10pF 50V CH	ECUX1H101JCV
C5210	FX612210	C.CE	0.1uF 16V CH	ECUX1C104KBV
C5211	FX612460	C.CE	56pF 50V CH	ECUX1H560JCV
C5212	NX702500	C.CE	10pF 50V CH	ECUX1H101JCV
C5213	FX612210	C.CE	0.1uF 16V CH	ECUX1C104KBV
C5214	AA05600	C.CE	0.18uF 10V CH	ECUX1A184KBV
C5215	FX612210	C.CE	0.1uF 16V CH	ECUX1C104KBV
C5216	FX612220	C.CE	0.1uF 16V CH	ECUX1C104ZFV
C5217	NX702470	C.CE	0.22uF 10V CH	ECUX1A224KBV
C5218	FX612210	C.CE	0.1uF 16V CH	ECUX1C104KBV
C5219	FX612210	C.CE	0.1uF 16V CH	ECUX1C104KBV
C5220	FX612400	C.CE	2200pF 50V CH	ECUX1H222KBV
C5221	NX702550	C.CE	3900pF 50V CH	ECUX1H392KBV
C5222	FX612210	C.CE	0.1uF 16V CH	ECUX1C104KBV
C5223	FX612490	C.CE	82pF 50V CH	ECUX1H820JCV
C5224	FX612210	C.CE	0.1uF 16V CH	ECUX1C104KBV
C5225	FX612220	C.CE	0.1uF 16V CH	ECUX1C104ZFV
C5226	FX612210	C.CE	0.1uF 16V CH	ECUX1C104KBV
C5227	FX612220	C.CE	0.1uF 16V CH	ECUX1C104ZFV
C5228	FX612220	C.CE	0.1uF 16V CH	ECUX1C104ZFV
C5229	FX612390	C.CE	220pF 50V CH	ECUX1H221JCV
C5230	FX612210	C.CE	0.1uF 16V CH	ECUX1C104KBV
C5231	NX702420	C.CE	3.3uF 10V	ECUM1A335KBM
C5232	FX611880	C.EL	33uF 6.3V	EEVHB0J330
C5233	AA05610	C.CE	0.33uF 10V CH	ECUX1A334KBV
C5234	FX611880	C.EL	33uF 6.3V	EEVHB0J330
C5235	NX702420	C.CE	3.3uF 10V	ECUM1A335KBM
C5236	FX612210	C.CE	0.1uF 16V CH	ECUX1C104KBV

Schm Ref.	PART NO.	Description		REMARKS
C5237	FX612300	C.CE	1000pF 50V CH	ECUX1H102KBV
C5238	NX702470	C.CE	0.22uF 10V CH	ECUX1A224KBV
C5239	FX612220	C.CE	0.1uF 16V CH	ECUX1C104ZFV
C5240	FX612220	C.CE	0.1uF 16V CH	ECUX1C104ZFV
C5241	FX612220	C.CE	0.1uF 16V CH	ECUX1C104ZFV
C5242	FX612350	C.CE	120pF 50V CH	ECUX1H121JCV
C5243	FX612390	C.CE	220pF 50V CH	ECUX1H221JCV
C5244	FX612390	C.CE	220pF 50V CH	ECUX1H221JCV
C5245	FX612210	C.CE	0.1uF 16V CH	ECUX1C104KBV
C5246	FX612210	C.CE	0.1uF 16V CH	ECUX1C104KBV
C5247	FX612220	C.CE	0.1uF 16V CH	ECUX1C104ZFV
C5248	FX612220	C.CE	0.1uF 16V CH	ECUX1C104ZFV
C5249	FX612480	C.CE	680pF 50V CH	ECUX1H681JCV
C6001	AA05170	C.EL	330uF 6.3V	ECEA0JKA331
C6002	FX612090	C.CE	0.1uF 50V CH	ECUM1H104ZFN
C6003	FX611720	C.EL	10uF 50V	ECEA1HKA100
C6004	FX612090	C.CE	0.1uF 50V CH	ECUM1H104ZFN
C6005	FX611610	C.EL	47uF 6.3V	ECEA0JKA470
C6006	FX612090	C.CE	0.1uF 50V CH	ECUM1H104ZFN
C6007	FX612090	C.CE	0.1uF 50V CH	ECUM1H104ZFN
C6011	FX612140	C.CE	220pF 50V CH	ECUM1H221JCN
C6013	FX612090	C.CE	0.1uF 50V CH	ECUM1H104ZFN
C6014	FX612090	C.CE	0.1uF 50V CH	ECUM1H104ZFN
C6021	FX612080	C.CE	0.01uF 50V CH	ECUM1H103ZFN
C6041	FX612080	C.CE	0.01uF 50V CH	ECUM1H103ZFN
C6042	FX612080	C.CE	0.01uF 50V CH	ECUM1H103ZFN
C6043	FX612080	C.CE	0.01uF 50V CH	ECUM1H103ZFN
C6201	FX612220	C.CE	0.1uF 16V CH	ECUX1C104ZFV
C6202	FX612220	C.CE	0.1uF 16V CH	ECUX1C104ZFV
C6203	FX611880	C.EL	33uF 6.3V	EEVHB0J330
C6204	FX612220	C.CE	0.1uF 16V CH	ECUX1C104ZFV
C6205	FX612220	C.CE	0.1uF 16V CH	ECUX1C104ZFV
C6206	FX612220	C.CE	0.1uF 16V CH	ECUX1C104ZFV
C6207	FX612220	C.CE	0.1uF 16V CH	ECUX1C104ZFV
C6251	FX612220	C.CE	0.1uF 16V CH	ECUX1C104ZFV
C6252	FX611880	C.EL	33uF 6.3V	EEVHB0J330
C6253	NX702100	C.EL	100uF 6.3V	EEVHB0J101
C6254	FX611790	C.EL	330uF 6.3VCH	ECEV0JA331
C6255	FX612310	C.CE	0.01uF 50V CH	ECUX1H103KBV
C6301	NX702500	C.CE	10pF 50V CH	ECUX1H101JCV
C6302	FX612210	C.CE	0.1uF 16V CH	ECUX1C104KBV
C6303	FX612220	C.CE	0.1uF 16V CH	ECUX1C104ZFV
C6304	FX612220	C.CE	0.1uF 16V CH	ECUX1C104ZFV
C6501	FX611880	C.EL	33uF 6.3V	EEVHB0J330
C6502	FX612220	C.CE	0.1uF 16V CH	ECUX1C104ZFV
C6521	FX612220	C.CE	0.1uF 16V CH	ECUX1C104ZFV
C6522	FX612220	C.CE	0.1uF 16V CH	ECUX1C104ZFV
C6541	NX702510	C.CE	1000pF 50V CH	ECUX1H102JCV
C6542	NX702490	C.CE	10pF 50V	ECUX1H100DCV
C6543	FX612220	C.CE	0.1uF 16V CH	ECUX1C104ZFV
C6544	FX612220	C.CE	0.1uF 16V CH	ECUX1C104ZFV
C6561	NX702510	C.CE	1000pF 50V CH	ECUX1H102JCV
C6562	NX702490	C.CE	10pF 50V	ECUX1H100DCV

DVD-S795/S705

Schm Ref.	PART NO.	Description		REMARKS
C6563	FX612220	C.CE	0.1uF 16V CH	ECUX1C104ZV
C6564	FX612220	C.CE	0.1uF 16V CH	ECUX1C104ZV
C6565	FX612220	C.CE	0.1uF 16V CH	ECUX1C104ZV
C6581	NX702530	C.CE	15pF 50V CH	ECUX1H150JCV
C6582	AAX05640	C.CE	18pF 50V CH	ECUX1H180JCV
C6583	FX612220	C.CE	0.1uF 16V CH	ECUX1C104ZV
C6584	FX612220	C.CE	0.1uF 16V CH	ECUX1C104ZV
C6585	FX612220	C.CE	0.1uF 16V CH	ECUX1C104ZV
C6601	FX612220	C.CE	0.1uF 16V CH	ECUX1C104ZV
C6602	FX611980	C.CE	1uF 10V CH	ECUM1A105KBN
C6603	FX612310	C.CE	0.01uF 50V CH	ECUX1H103KBV
C6604	FX612210	C.CE	0.1uF 16V CH	ECUX1C104KBV
C6606	FX612220	C.CE	0.1uF 16V CH	ECUX1C104ZV
C6607	FX611880	C.EL	33uF 6.3V	EEVHB0J330
C7001	NX702100	C.EL	100uF 6.3V	EEVHB0J101
C7002	NX702100	C.EL	100uF 6.3V	EEVHB0J101
C7003	FX612220	C.CE	0.1uF 16V CH	ECUX1C104ZV
C7004	FX612220	C.CE	0.1uF 16V CH	ECUX1C104ZV
C7005	FX612220	C.CE	0.1uF 16V CH	ECUX1C104ZV
C7006	FX612220	C.CE	0.1uF 16V CH	ECUX1C104ZV
C7007	FX612220	C.CE	0.1uF 16V CH	ECUX1C104ZV
C7008	FX612220	C.CE	0.1uF 16V CH	ECUX1C104ZV
C7009	FX612220	C.CE	0.1uF 16V CH	ECUX1C104ZV
C7010	FX612220	C.CE	0.1uF 16V CH	ECUX1C104ZV
C7011	FX612220	C.CE	0.1uF 16V CH	ECUX1C104ZV
C7012	FX612220	C.CE	0.1uF 16V CH	ECUX1C104ZV
C7013	FX612220	C.CE	0.1uF 16V CH	ECUX1C104ZV
C7014	FX612220	C.CE	0.1uF 16V CH	ECUX1C104ZV
C7015	FX612220	C.CE	0.1uF 16V CH	ECUX1C104ZV
C7016	FX612220	C.CE	0.1uF 16V CH	ECUX1C104ZV
C7017	FX612220	C.CE	0.1uF 16V CH	ECUX1C104ZV
C7018	FX612220	C.CE	0.1uF 16V CH	ECUX1C104ZV
C7019	FX612220	C.CE	0.1uF 16V CH	ECUX1C104ZV
C7020	FX612330	C.CE	0.01uF 50V CH	ECUX1H103ZV
C7301	FX612220	C.CE	0.1uF 16V CH	ECUX1C104ZV
C7302	FX612220	C.CE	0.1uF 16V CH	ECUX1C104ZV
D1001	AAX05550	SURG. PRT	ENC471D5ATR(B) (ABG)	ENC471D5ATR
D1001	NX703860	SURG. PRT	ENC221D5ATR(B) (UC)	ENC221D5ATR
D1002	NX703870	MODUL. RF	ENC471D5ATUB(B) (UC)	ENC471D5ATUB
△ D1011	AAX04220	DIODE	S1WBA80	S1WBA80
△ D1021	ix637340	DIODE	AP01C	AP01C
D1022	AAX04210	DIODE	RD100E	RD100E
D1031	ix636960	DIODE	AU01Z	AU01Z
D1032	AAX04180	DIODE	MA7300B	MA7300B
D1041	AAX05690	DIODE	MA165(UC)	MA165
D1041	ix637030	DIODE	MA165VT(ABG)	MA165VT
D1042	AAX05690	DIODE	MA165(UC)	MA165
D1051	ix637380	DIODE	MA700	MA700
D1052	ix637370	DIODE	MA4200-H	MA4200H
D1111	NX702700	DIODE	MA7D55(ABG)	MA7D55
D1111	NX704040	DIODE	MA7D49(UC)	MA7D49
D1121	NX702620	DIODE	11ES1	11ES1
D1131	ix634150	DIODE .SHOT	11EQS06(UC)	11EQS06

Schm Ref.	PART NO.	Description		REMARKS
D1131	NX702610	DIODE	11EQS10(ABG)	11EQS10
D1141	ix634150	DIODE	11EQS06(UC)	11EQS06
D1141	NX702610	DIODE	11EQS10(ABG)	11EQS10
D1151	ix634150	DIODE	11EQS06(UC)	11EQS06
D1151	NX702610	DIODE	11EQS10(ABG)	11EQS10
D1152	ix634150	DIODE	11EQS06(UC)	11EQS06
D1152	NX702610	DIODE	11EQS10(ABG)	11EQS10
D1161	ix636960	DIODE	AU01Z	AU01Z
D1162	NX702670	DIODE	MA4030M	MA4030M
D1171	ix636950	DIODE	AK04	AK04
D3001	NX704050	DIODE	MA8030-H	MA8030H
D3002	NX702630	DIODE	MA111	MA111
D3301	AAX04190	DIODE	MA8036-L	MA8036L
D3302	AAX04200	DIODE	MA8039-L	MA8039L
D3601	NX702690	DIODE	MA742	MA742
D3851	NX702640	DIODE	MA152A(BG)	MA152A
D3852	AAX05710	DIODE	MA8130(BG)	MA8130
D3861	ix637020	DIODE	MA152WK(BG)	MA152WK
D3862	NX702640	DIODE	MA152A(BG)	MA152A
D3863	AAX05700	DIODE	MA8120L(BG)	MA8120L
D4591	ix635430	DIODE	1SS355	1SS355
D4592	NX702660	DIODE	MA3047M	MA3047M
D4593	ix635430	DIODE	1SS355	1SS355
D4594	NX702640	DIODE	MA152A	MA152A
D4595	ix637010	DIODE	MA152WA	MA152WA
D4596	AAX04170	DIODE	MA153A	MA153A
D4597	ix635430	DIODE	1SS355	1SS355
D4901	AAX04160	DIODE	AK04WS	AK04WS
D4902	ix635430	DIODE	1SS355	1SS355
D4903	ix635430	DIODE	1SS355	1SS355
D6002	ix635430	DIODE	1SS355	1SS355
D6003	ix635430	DIODE	1SS355	1SS355
D6004	ix635430	DIODE	1SS355	1SS355
D6013	AAX04970	IC	LN28RCPL(ABG)	LN28RCPL
D6311	NX702680	DIODE	MA728	MA728
D6541	NX702650	DIODE	MA304	MA304
D6561	NX702650	DIODE	MA304	MA304
DL6001	AAX04740	DELAY. L	DL6001	VSL0519
△ DZ1001	NX703990	SURG. PRT	2.7KV(UC)	VSQ1003
△ F1001	AAX05900	FUSE	1.6A 250V(UC)	VSF0248C16
△ F1001	AAX05910	FUSE	(ABG)	XBA2C16TB0
FL3501	AAX04470	FLTR	FL3501	ELB4H079B
FL3511	NX702960	FLTR	ELB4K164A	ELB4K164A
FL3551	AAX04470	FLTR	(BG)	ELB4H079B
FL3561	AAX04480	FLTR	(UC)	ELB4L182B
FL3561	AAX05930	FLTR	(BG)	ELB4L181B
FL6251	GX609530	FLTR		ELKE103FA
FL6252	GX609530	FLTR		ELKE103FA
FL6253	GX609530	FLTR		ELKE103FA
FL6254	GX609530	FLTR		ELKE103FA
FP2501	AAX05510	CN	17	VJS4241B017W
FP2511	AAX05500	CN	7P	VJS4241B007W
FP2601	AAX05500	CN	7P	VJS4241B007W

Schm Ref.	PART NO.	Description		REMARKS
FP4701	AAX05440	CN	9P	VJS3537A009G
FP4721	AAX05460	CN	9P	VJS3537B009G
FP5201	AAX03990	CN	FP5201	VJS3913A021
FP6001	AAX05430	CN	6P	VJS3537A006G
FP6401	AAX05450	CN	6P	VJS3537B006G
IC1021	AAX05040	IC	STRM6559LF14 (UC)	STRM6559LF14
IC1021	iX637320	IC	STRM6559LF (ABG)	STRM6559LF
IC1101	AAX03700	IC	uPC1093J	UPC1093J
IC1121	iX636790	IC	PQ3RD13	PQ3RD13
IC1151	AAX05030	IC	SI3090FLF11	SI3090FLF11
IC2001	AAX03500	IC	MN67705EA	MN67705EA
IC2501	AAX03410	IC	AN8485SB	AN8485SB
IC2511	AAX03430	IC	BA5983FM	BA5983FM
IC3001	AAX04990	IC	MN677511DE	MN677511DE
IC3051	AAX03520	IC	MNX7160BT1	MNX7160BT1
IC3061	NX701660	IC	HM5241605T12 (ABG)	HM5241605T12
IC3201	AAX04900	IC	ADV7172KST	ADV7172KST
IC3281	AAX03560	IC	PQ3DZ53U	PQ3DZ53U
IC3301	NX701730	IC	NJM2115V	NJM2115V
IC3302	AAX03440	IC	BU4053BCFV	BU4053BCFV
IC3321	AAX05050	IC	T74VHC221AFT	T74VHC221AFT
IC3322	AAX03640	IC	TC7S02FU	TC7S02FU
IC3531	iX636520	IC	AN3581S	AN3581S
IC3581	NX703690	IC	BA7660FS (UC)	BA7660FS
IC3801	AAX04920	IC	AN79L05M (BG)	AN79L05M
IC3811	XL545A00	IC	TC4W53F (BG)	TC4W53F
IC3812	AAX04980	IC	MC14053BF (BG)	MC14053BF
IC3813	AAX04980	IC	MC14053BF (BG)	MC14053BF
IC3821	AAX04980	IC	MC14053BF (BG)	MC14053BF
IC3822	AAX04980	IC	MC14053BF (BG)	MC14053BF
IC3831	AAX05000	IC	NJM2267M (BG)	NJM2267M
IC3841	NX703690	IC	BA7660FS (BG)	BA7660FS
IC4201	AAX03530	IC	PCML1734UA	PCML1734UA
IC4211	AAX03540	IC	PCML1734UB	PCML1734UB
IC4221	AAX03540	IC	PCML1734UB	PCML1734UB
IC4232	AAX03670	IC	TC7W32F	TC7W32F
IC4241	iX636880	IC	TC7ST04FU	TC7ST04FU
IC4251	AAX04930	IC	BU2092F (BG)	BU2092F
IC4266	AAX05060	IC	TC74HCT7007A	TC74HCT7007A
IC4306	iX636760	IC	NJM4580M	NJM4580M
IC4321	iX636760	IC	NJM4580M	NJM4580M
IC4341	iX636760	IC	NJM4580M	NJM4580M
IC4361	iX636760	IC	NJM4580M	NJM4580M
IC4391	NX701850	IC	TC9412AFELP	TC9412AFELP
IC4392	NX701850	IC	TC9412AFELP	TC9412AFELP
IC4401	iX636760	IC	NJM4580M	NJM4580M
IC4421	iX636760	IC	NJM4580M	NJM4580M
IC4441	iX636760	IC	NJM4580M	NJM4580M
IC4451	iX636760	IC	NJM4580M	NJM4580M
IC4701	iX636760	IC	NJM4580M	NJM4580M
IC4731	AAX03460	IC	M5218AFP	M5218AFP
IC4751	NX701830	IC	TC7W04F	TC7W04F
IC4781	NX701790	IC	T0TX178	T0TX178

Schm Ref.	PART NO.	Description		REMARKS
IC4901	AAX03550	IC	PQ09DZ1U	PQ09DZ1U
IC5201	AAX05020	IC	RN5RZ20BATR	RN5RZ20BATR
IC5202	AAX03420	IC	AN8706FHQ	AN8706FHQ
IC6001	AAX03490	IC	MN1872423CE	MN1872423CE
IC6002	AAX03580	IC	PST7040-MT (ABG)	PST7040MT
IC6002	AAX05010	IC	PST7040 (UC)	PST7040
IC6003	AAX05950	PHOT.SNS	PNA4611M02VT	PNA4611M02VT
IC6004	AAX03400	IC	AHCT1G08DBV	AHCT1G08DBV
IC6005	AAX03400	IC	AHCT1G08DBV	AHCT1G08DBV
IC6201	AAX03470	IC	MN102L25DFA	MN102L25DFA
IC6301	AAX03570	IC	PST596JNR	PST596JNR
IC6302	AAX04950	IC	JZS0649367C2 (ABG)	JZS0649367C2
IC6302	AAX04960	IC	JZS0694367C2 (UC)	JZS0694367C2
IC6303	AAX03710	IC	X25020S-2R7	X25020S2R7
IC6521	AAX05070	IC	TC7WH157FU	TC7WH157FU
IC6522	AAX03690	IC	TC7WH74FU	TC7WH74FU
IC6541	AAX04910	IC	AHC1GU04HDCK	AHC1GU04HDCK
IC6542	AAX04910	IC	AHC1GU04HDCK	AHC1GU04HDCK
IC6561	AAX04910	IC	AHC1GU04HDCK	AHC1GU04HDCK
IC6562	AAX04910	IC	AHC1GU04HDCK	AHC1GU04HDCK
IC6563	AAX03690	IC	TC7WH74FU	TC7WH74FU
IC6581	AAX04910	IC	AHC1GU04HDCK	AHC1GU04HDCK
IC6582	AAX04910	IC	AHC1GU04HDCK	AHC1GU04HDCK
IC6583	AAX03690	IC	TC7WH74FU	TC7WH74FU
IC6601	NX701730	IC	NJM2115V	NJM2115V
IC7001	AAX03480	IC	MN103007BGA	MN103007BGA
IC7301	AAX03650	IC	TC7SH08FU	TC7SH08FU
IC7302	AAX03660	IC	TC7SH32FU	TC7SH32FU
J3871	AAX05470	CN	21P (BG)	VJS3921
J3881	AAX05470	CN	21P (BG)	VJS3921
J4731	AAX04090	JACK	J4731	VJJ0578
JA	AAX05960	CN.FLAT	(UCBG)	VWJ03D5100VV
JK3541	LX610410	CN		VJJ0561
JK3591	AAX04100	JACK	(UC)	VJJ0640
JK4501	AAX05920	JACK.PIN	6P	VJJ0643
JK4502	NX702930	JACK.PIN	4P	VJJ0592
JK4771	NX702920	JACK.PIN	1P	VJJ0590
K3071	HX609880	R.MTL.CHP	0Ω 1/16W	ERJ3GEY0R00
K3202	HX609880	R.MTL.CHP	0Ω 1/16W	ERJ3GEY0R00
K3204	HX609880	R.MTL.CHP	0Ω 1/16W	ERJ3GEY0R00
K3205	HX609880	R.MTL.CHP	0Ω 1/16W	ERJ3GEY0R00
K3301	HX609880	R.MTL.CHP	0Ω 1/16W	ERJ3GEY0R00
K3332	HX609880	R.MTL.CHP	0Ω 1/16W	ERJ3GEY0R00
K3502	AAX03820	R.CHP	0Ω 1/10W (BG)	ERJ6GMZ0R00
K3802	HX610350	R.MTL.CHP	0Ω 1/10W (BG)	ERJ6GEY0R00
K3871	HX610350	R.MTL.CHP	0Ω 1/10W (BG)	ERJ6GEY0R00
K4201	HX610350	R.MTL.CHP	0Ω 1/10W	ERJ6GEY0R00
K4202	AAX03820	R.CHP	0Ω 1/10W	ERJ6GMZ0R00
K4203	AAX03820	R.CHP	0Ω 1/10W	ERJ6GMZ0R00
K4241	GX609440	COIL		VL0150
K4381	AAX03820	R.CHP	0Ω 1/10W	ERJ6GMZ0R00
K4382	AAX03820	R.CHP	0Ω 1/10W	ERJ6GMZ0R00
K4383	AAX03820	R.CHP	0Ω 1/10W	ERJ6GMZ0R00

Schm Ref.	PART NO.	Description		REMARKS
K4384	AAX03820	R. CHP	0Ω 1/10W	ERJ6GMZ0R00
K4591	HX610350	R. MTL. CHP	0Ω 1/10W	ERJ6GEY0R00
K5201	HX609880	R. MTL. CHP	0Ω 1/16W	ERJ3GEY0R00
K5202	HX609880	R. MTL. CHP	0Ω 1/16W	ERJ3GEY0R00
K5203	HX609880	R. MTL. CHP	0Ω 1/16W	ERJ3GEY0R00
K5204	HX609880	R. MTL. CHP	0Ω 1/16W	ERJ3GEY0R00
K5205	HX609880	R. MTL. CHP	0Ω 1/16W	ERJ3GEY0R00
K6003	AAX03820	R. CHP	0Ω 1/10W	ERJ6GMZ0R00
K6006	AAX03820	R. CHP	0Ω 1/10W	ERJ6GMZ0R00
K6010	AAX03820	R. CHP	0Ω 1/10W(BG)	ERJ6GMZ0R00
K6011	AAX03820	R. CHP	0Ω 1/10W(BG)	ERJ6GMZ0R00
K6012	AAX03820	R. CHP	0Ω 1/10W(A)	ERJ6GMZ0R00
K6021	AAX03820	R. CHP	0Ω 1/10W	ERJ6GMZ0R00
K6022	AAX03820	R. CHP	0Ω 1/10W	ERJ6GMZ0R00
K6542	HX609880	R. MTL. CHP	0Ω 1/16W	ERJ3GEY0R00
K6562	HX609880	R. MTL. CHP	0Ω 1/16W	ERJ3GEY0R00
K7002	HX609880	R. MTL. CHP	0Ω 1/16W	ERJ3GEY0R00
L1001	NX703060	FLTR	ELF15N005A	ELF15N005A
L1002	NX703060	FLTR	ELF15N005A	ELF15N005A
L1111	AAX05340	COIL	10uH(UC)	VLQ0611K100
L1111	NX702190	COIL	10uH(ABG)	VLQ0655K100
L1112	GX609370	COIL		ELELN100KA
L1131	NX702210	COIL	33uH	VLQEL05S330K
L1141	NX702210	COIL	33uH	VLQEL05S330K
L1151	AAX05350	COIL	22uH(UC)	VLQ0611K220
L1151	GX609470	COIL	22uH(ABG)	VLQ0655K220
L2001	GX609480	COIL	10uH	VLQ0779K100
L2002	GX609480	COIL	10uH	VLQ0779K100
L2501	HX609860	R. MTL. CHP	0Ω 1/4W	ERJ14Y0R00
L3001	HX609860	R. MTL. CHP	0Ω 1/4W	ERJ14Y0R00
L3281	GX609480	COIL	10uH	VLQ0779K100
L3501	GX609500	COIL	22uH	VLQEL05S220J
L3531	GX609500	COIL	22uH	VLQEL05S220J
L3532	GX609500	COIL	22uH	VLQEL05S220J
L3551	GX609500	COIL	22uH	VLQEL05S220J
L3581	GX609500	COIL	22uH(UC)	VLQEL05S220J
L3801	GX609500	COIL	22uH(BG)	VLQEL05S220J
L3871	AAX05390	COIL	470uH(BG)	VLQEL05S471J
L3872	AAX05390	COIL	470uH(BG)	VLQEL05S471J
L3881	AAX05390	COIL	470uH(BG)	VLQEL05S471J
L3882	AAX05390	COIL	470uH(BG)	VLQEL05S471J
L4201	AAX05360	COIL	100uH	VLQEL05S101J
L4731	GX609490	COIL		VLQEL05S101K
L4732	GX609490	COIL		VLQEL05S101K
L4733	GX609490	COIL		VLQEL05S101K
L4761	NX702130	COIL	0.1uH	ELJNDR10JF
L4781	GX609500	COIL	22uH	VLQEL05S220J
L5201	GX609480	COIL	10uH	VLQ0779K100
L5202	GX609480	COIL	10uH	VLQ0779K100
L6001	AAX05360	COIL	100uH	VLQEL05S101J
L6002	AAX05370	COIL	220uH	VLQEL05S221J
L6005	AAX05360	COIL	100uH	VLQEL05S101J
L6006	AAX05380	COIL	47uH	VLQEL05S470J

Schm Ref.	PART NO.	Description		REMARKS
L6007	AAX05380	COIL	47uH	VLQEL05S470J
L6008	AAX05360	COIL	100uH	VLQEL05S101J
L6201	HX609860	R. MTL. CHP	0Ω 1/4W	ERJ14Y0R00
L6501	AAX03810	COIL		ELJFA220KB
L7001	GX609480	COIL	10uH	VLQ0779K100
L7002	HX609860	R. MTL. CHP	0Ω 1/4W	ERJ14Y0R00
LB1021	GX609420	COIL		VLP0083
LB1022	GX609420	COIL		VLP0083
LB1024	NX702140	COIL	VLP0056	VLP0056
LB2501	AAX05730	COIL. CHP		VLP0323A601R
LB2502	AAX05730	COIL. CHP		VLP0323A601R
LB2503	AAX05730	COIL. CHP		VLP0323A601R
LB2504	AAX05730	COIL. CHP		VLP0323A601R
LB2505	AAX05730	COIL. CHP		VLP0323A601R
LB2506	AAX05730	COIL. CHP		VLP0323A601R
LB2507	AAX05730	COIL. CHP		VLP0323A601R
LB2508	AAX05730	COIL. CHP		VLP0323A601R
LB2509	GX609400	COIL		JALBK2HS470T
LB2510	GX609400	COIL		JALBK2HS470T
LB2511	GX609400	COIL		JALBK2HS470T
LB2512	GX609400	COIL		JALBK2HS470T
LB2513	GX609400	COIL		JALBK2HS470T
LB2514	AAX05730	COIL. CHP		VLP0323A601R
LB2515	AAX05730	COIL. CHP		VLP0323A601R
LB2517	AAX05730	COIL. CHP		VLP0323A601R
LB2518	GX609400	COIL		JALBK2HS470T
LB2519	GX609400	COIL		JALBK2HS470T
LB2520	GX609400	COIL		JALBK2HS470T
LB2521	GX609400	COIL		JALBK2HS470T
LB3001	GX609460	COIL		VLP0157
LB3201	AAX05730	COIL. CHP		VLP0323A601R
LB3202	AAX05730	COIL. CHP		VLP0323A601R
LB3203	AAX05730	COIL. CHP	(ABG)	VLP0323A601R
LB3204	AAX05730	COIL. CHP		VLP0323A601R
LB3205	AAX05730	COIL. CHP		VLP0323A601R
LB3206	AAX05730	COIL. CHP		VLP0323A601R
LB3207	AAX05730	COIL. CHP		VLP0323A601R
LB3209	AAX05730	COIL. CHP		VLP0323A601R
LB3543	NX702150	COIL	VLP0145	VLP0145
LB3544	NX702150	COIL	VLP0145	VLP0145
LB3545	NX702150	COIL	VLP0145	VLP0145
LB3546	NX702150	COIL	VLP0145	VLP0145
LB3591	NX702150	COIL	VLP0145(UC)	VLP0145
LB3592	NX702150	COIL	VLP0145(UC)	VLP0145
LB3593	NX702150	COIL	VLP0145(UC)	VLP0145
LB3871	NX702150	COIL	VLP0145(BG)	VLP0145
LB3872	NX702150	COIL	VLP0145(BG)	VLP0145
LB3873	NX702150	COIL	VLP0145(BG)	VLP0145
LB3874	NX702150	COIL	VLP0145(BG)	VLP0145
LB3881	NX702150	COIL	VLP0145(BG)	VLP0145
LB4001	GX609450	COIL	VLP0155	
LB4002	GX609450	COIL	VLP0155	
LB4003	GX609450	COIL	VLP0155	

Schm Ref.	PART NO.	Description		REMARKS
LB4004	GX609450	COIL		VLP0155
LB4005	GX609450	COIL		VLP0155
LB4006	AAX05730	COIL.CHP		VLP0323A601R
LB4007	AAX05730	COIL.CHP		VLP0323A601R
LB4008	AAX05730	COIL.CHP		VLP0323A601R
LB4009	AAX05730	COIL.CHP		VLP0323A601R
LB4011	AAX05730	COIL.CHP		VLP0323A601R
LB4012	AAX05730	COIL.CHP		VLP0323A601R
LB4013	AAX05730	COIL.CHP		VLP0323A601R
LB4014	AAX05730	COIL.CHP		VLP0323A601R
LB4016	AAX05730	COIL.CHP		VLP0323A601R
LB4017	AAX05730	COIL.CHP		VLP0323A601R
LB4018	AAX05730	COIL.CHP		VLP0323A601R
LB4019	AAX05730	COIL.CHP		VLP0323A601R
LB4241	AAX03820	R.CHP	0Ω 1/10W	ERJ6GMZ0R00
LB4241	AAX05730	COIL.CHP		VLP0323A601R
LB4501	NX702150	COIL	VLP0145	VLP0145
LB4511	NX702150	COIL	VLP0145	VLP0145
LB4521	NX702150	COIL	VLP0145	VLP0145
LB4531	NX702150	COIL	VLP0145	VLP0145
LB4541	NX702150	COIL	VLP0145	VLP0145
LB4551	NX702150	COIL	VLP0145	VLP0145
LB4561	NX702150	COIL	VLP0145	VLP0145
LB4571	NX702150	COIL	VLP0145	VLP0145
LB4771	NX702740	TR.CHP	VLF1148A121	VLF1148A121
LB4772	NX702740	TR.CHP	VLF1148A121	VLF1148A121
LB5201	AAX05730	COIL.CHP		VLP0323A601R
LB5202	AAX05730	COIL.CHP		VLP0323A601R
LB5203	GX609400	COIL		JALBK2HS470T
LB5204	AAX05730	COIL.CHP		VLP0323A601R
LB5205	AAX05730	COIL.CHP		VLP0323A601R
LB5206	AAX05730	COIL.CHP		VLP0323A601R
LB5207	AAX05730	COIL.CHP		VLP0323A601R
LB5208	AAX05730	COIL.CHP		VLP0323A601R
LB5209	AAX05730	COIL.CHP		VLP0323A601R
LB5210	AAX05730	COIL.CHP		VLP0323A601R
LB5211	GX609400	COIL		JALBK2HS470T
LB5212	AAX05730	COIL.CHP		VLP0323A601R
LB5213	AAX05730	COIL.CHP		VLP0323A601R
LB5214	AAX05730	COIL.CHP		VLP0323A601R
LB5215	GX609400	COIL		JALBK2HS470T
LB5216	AAX05730	COIL.CHP		VLP0323A601R
LB5217	GX609400	COIL		JALBK2HS470T
LB5218	AAX05730	COIL.CHP		VLP0323A601R
LB5219	GX609400	COIL		JALBK2HS470T
LB6005	AAX03840	COIL		VLP0153
LB6006	AAX03840	COIL		VLP0153
LB6007	AAX03840	COIL		VLP0153
LB6016	AAX03840	COIL		VLP0153
LB6213	GX609450	COIL		VLP0155
LB6521	AAX05730	COIL.CHP		VLP0323A601R
LB6522	GX609460	COIL		VLP0157
LB6523	AAX05730	COIL.CHP		VLP0323A601R

Schm Ref.	PART NO.	Description		REMARKS
LB6525	GX609460	COIL		VLP0157
LB6526	GX609450	COIL		VLP0155
LB6541	AAX05730	COIL.CHP		VLP0323A601R
LB6542	AAX05730	COIL.CHP		VLP0323A601R
LB6543	GX609460	COIL		VLP0157
LB6561	AAX05730	COIL.CHP		VLP0323A601R
LB6562	AAX05730	COIL.CHP		VLP0323A601R
LB6563	GX609460	COIL		VLP0157
LB6564	GX609450	COIL		VLP0155
LB6565	AAX05730	COIL.CHP		VLP0323A601R
LB6581	AAX05730	COIL.CHP		VLP0323A601R
LB6583	AAX05730	COIL.CHP		VLP0323A601R
LB6584	GX609460	COIL		VLP0157
LB6585	AAX05730	COIL.CHP		VLP0323A601R
LB6586	GX609460	COIL		VLP0157
LB6601	AAX05730	COIL.CHP		VLP0323A601R
△ P1001	LX610210	CN	(ABG)	VJS3166
△ P1001	LX610440	CN	(UC)	VJS2986
PP1101	AAX05410	CN	18P	VJP4223E018B
PP3201	AAX05400	CN	26P	VJP4222E026B
PP3801	NX702230	CN	20P(UC)	VJP3042G020W
PP3801	NX702230	CN	20P(BG)	VJP3042G020W
PP4201	AAX05400	CN	26P	VJP4222E026B
PR1161	AAX04040	CN		VSF0015A025
△ PR1171	KX604710	FUSE		VSF0015A10
△ PR4911	KX604710	FUSE		VSF0015A10
PS1101	AAX05490	CN	18P	VJS4223A018T
PS3201	AAX05480	CN	26P	VJS4222A026B
PS3801	AAX05420	CN	20P(UC)	VJS3042B020W
PS3801	AAX05420	CN	20P(BG)	VJS3042B020W
PS4201	AAX05480	CN	26P	VJS4222A026B
PS6201	AAX03930	CN		VJS2961A010
△ Q1041	AAX05940	PHOT.CPL	PS2561L1(ABG)	PS2561L1
Q1041	iX637290	TR	PS2501-1H(UC)	PS25011H
Q1111	NX702880	TR	2SJ525	2SJ525
Q3201	NX702830	TR	2SB1218A-R	2SB1218AR
Q3211	NX702830	TR	2SB1218A-R	2SB1218AR
Q3221	NX702830	TR	2SB1218A-R	2SB1218AR
Q3231	NX702830	TR	2SB1218A-R	2SB1218AR
Q3241	NX702830	TR	2SB1218A-R(ABG)	2SB1218AR
Q3301	NX702830	TR	2SB1218A-R	2SB1218AR
Q3302	AAX04270	TR	2SD1819A-R	2SD1819AR
Q3303	AAX04270	TR	2SD1819A-R	2SD1819AR
Q3304	NX702830	TR	2SB1218A-R	2SB1218AR
Q3305	AAX04270	TR	2SD1819A-R	2SD1819AR
Q3321	AAX04270	TR	2SD1819A-R	2SD1819AR
Q3322	AAX04270	TR	2SD1819A-R	2SD1819AR
Q3331	AAX04270	TR	2SD1819A-R	2SD1819AR
Q3501	iX637230	TR	2SB709AR	2SB709AR
Q3502	AAX04280	TR	2SD601A-R	2SD601AR
Q3503	iX637230	TR	2SB709AR	2SB709AR
Q3511	iX637230	TR	2SB709AR	2SB709AR
Q3512	AAX04280	TR	2SD601A-R	2SD601AR

DVD-S/95/S/05

Schm Ref.	PART NO.	Description		REMARKS
Q3513	iX637230	TR	2SB709AR	2SB709AR
Q3551	AAX04280	TR	2SD601A-R (BG)	2SD601AR
Q3561	AAX04280	TR	2SD601A-R (BG)	2SD601AR
Q3561	AAX04280	TR	2SD601A-R (UC)	2SD601AR
Q3571	AAX04280	TR	2SD601A-R (UC)	2SD601AR
Q3571	AAX04280	TR	2SD601A-R (BG)	2SD601AR
Q3601	NX702860	TR	2SC2404-D	2SC2404D
Q3602	NX702850	TR	2SC2295-B	2SC2295B
Q3603	NX702820	TR	2SA1022-B	2SA1022B
Q3851	AAX05800	TR	2SB710R (BG)	2SB710R
Q3852	AAX05840	TR	XN4502 (BG)	XN4502
Q3853	AAX05820	TR	XN4401 (BG)	XN4401
Q3861	AAX05810	TR	2SD602AR (BG)	2SD602AR
Q3862	AAX05830	TR	XN4402 (BG)	XN4402
Q3863	AAX05800	TR	2SB710R (BG)	2SB710R
Q3864	AAX05810	TR	2SD602AR (BG)	2SD602AR
Q4401	iX637270	TR	2SD601A	2SD601A
Q4411	iX637270	TR	2SD601A	2SD601A
Q4421	iX637270	TR	2SD601A	2SD601A
Q4431	iX637270	TR	2SD601A	2SD601A
Q4501	iX637240	TR	2SD1328	2SD1328
Q4502	iX637240	TR	2SD1328 (BG)	2SD1328
Q4511	iX637240	TR	2SD1328	2SD1328
Q4512	iX637240	TR	2SD1328 (BG)	2SD1328
Q4521	iX637240	TR	2SD1328	2SD1328
Q4531	iX637240	TR	2SD1328	2SD1328
Q4541	iX637240	TR	2SD1328	2SD1328
Q4551	iX637240	TR	2SD1328	2SD1328
Q4561	iX637240	TR	2SD1328	2SD1328
Q4571	iX637240	TR	2SD1328	2SD1328
Q4721	iX637240	TR	2SD1328	2SD1328
Q4722	iX637240	TR	2SD1328	2SD1328
Q4901	iX637230	TR	2SB709AR	2SB709AR
Q4911	AAX05790	TR	2SB1434R	2SB1434R
Q4912	iX637210	TR	2SB1320AR	2SB1320AR
Q4913	AAX04280	TR	2SD601A-R	2SD601AR
Q4914	NX704110	TR	2SK170V	2SK170V
Q4915	NX704100	TR	2SJ74V	2SJ74V
Q5201	AAX05780	TR	2SB1115	2SB1115
Q6009	NX704090	TR	2SD1996-S (BG)	2SD1996S
Q6009	NX704090	TR	2SD1996-S (UC)	2SD1996S
QR1111	NX702790	TR.DGT	UN4213	UN4213
QR2001	AAX04240	TR.DGT	UN5213	UN5213
QR2501	AAX04250	TR.DGT	XP1213	XP1213
QR2502	AAX04250	TR.DGT	XP1213	XP1213
QR2503	AAX04240	TR.DGT	UN5213	UN5213
QR3521	iX635550	TR.DGT	UN2212 (BG)	UN2212
QR3601	NX702780	TR.DGT	UN2211	UN2211
QR3841	AAX05770	TR.DGT	XN1213 (BG)	XN1213
QR3842	AAX05740	TR.DGT	UN2213 (BG)	UN2213
QR3843	AAX05770	TR.DGT	XN1213 (BG)	XN1213
QR3851	AAX05750	TR.DGT	UN2217 (BG)	UN2217
QR3852	AAX05770	TR.DGT	XN1213 (BG)	XN1213

Schm Ref.	PART NO.	Description		REMARKS
QR3853	AAX05760	TR.DGT	XN1112 (BG)	XN1112
QR3861	AAX05750	TR.DGT	UN2217 (BG)	UN2217
QR3862	AAX05770	TR.DGT	XN1213 (BG)	XN1213
QR3863	AAX05770	TR.DGT	XN1213 (BG)	XN1213
QR4591	NX702780	TR.DGT	UN2211	UN2211
QR4592	NX702770	TR.DGT	UN2115	UN2115
QR4593	NX702780	TR.DGT	UN2211	UN2211
QR4594	iX637130	TR.DGT	UN2111	UN2111
QR4595	iX637130	TR.DGT	UN2111	UN2111
QR5201	iX637160	TR.DGT	UN5212	UN5212
QR5202	iX637160	TR.DGT	UN5212	UN5212
QR5203	AAX04230	TR.DGT	UN5112	UN5112
QR6003	NX702890	TR	DTA123JK (ABG)	DTA123JK
QR6004	iX635550	TR.DGT	UN2212	UN2212
QR6008	iX637130	TR.DGT	UN2111 (UC)	UN2111
QR6008	iX637130	TR.DGT	UN2111 (BG)	UN2111
QR6311	iX637160	TR.DGT	UN5212	UN5212
R1001	NX704320	R	6.8M $\Omega$ 1/2W (UC)	ERC12UGK685
R1002	NX703220	R.CAR	330K $\Omega$ 1/2W (ABG)	ERC12AGM334
R1021	AAX07250	R.MTL	39K $\Omega$ 1W	ERG1SJ393
R1023	NX703630	R.MTL.FLM	0.82 $\Omega$ 1W	ERX1SJR82
R1024	HV455470	R.CAR.FP	470 $\Omega$ 1/4W	ERDS2FJ471
R1025	HV455470	R.CAR.FP	470 $\Omega$ 1/4W	ERDS2FJ471
R1031	HV458220	R.CAR.FP	220K $\Omega$ 1/4W	ERDS2FJ224
R1032	HV458220	R.CAR.FP	220K $\Omega$ 1/4W	ERDS2FJ224
R1033	NX703610	R.MTL.FLM	10 $\Omega$ 1/2W	ERGL2SJ100
R1041	HV456180	R.CAR.FP	1.8K $\Omega$ 1/4W	ERDS2FJ182
R1051	HV456150	R.CAR.FP	1.5K $\Omega$ 1/4W	ERDS2FJ152
R1052	HV455100	R.CAR.FP	100 $\Omega$ 1/4W	ERDS2FJ101
R1053	HV458220	R.CAR.FP	220K $\Omega$ 1/4W	ERDS2FJ224
R1054	HV457100	R.CAR.FP	10K $\Omega$ 1/4W	ERDS2FJ103
R1055	NX703640	R.CAR.FP	3.9M $\Omega$ 1/2W	ERDS1TJ395
R1056	NX703650	R.CAR.FR	4.7M $\Omega$ 1/2W	ERDS1TJ475
R1101	AAX07240	R.MTL	75 $\Omega$ 1/4W	ER0S2CKF75R0
R1102	AAX07230	R.MTL	1.2K $\Omega$ 1/4W	ER0S2CKF1201
R1103	AAX07230	R.MTL	1.2K $\Omega$ 1/4W	ER0S2CKF1201
R1104	HV455560	R.CAR.FP	560 $\Omega$ 1/4W	ERDS2TJ561
R1105	AAX07280	R.MTL	270 $\Omega$ 1/4W	ERDS2TJ271
R1106	AAX07270	R.MTL	2K $\Omega$ 1/4W	ERDS2TJ202
R1111	HV456100	R.CAR.FP	1K $\Omega$ 1/4W	ERDS2TJ102
R1112	HV458100	R.CAR.FR	100K $\Omega$ 1/4W	ERDS2TJ104
R1161	HV458100	R.CAR.FR	100K $\Omega$ 1/4W	ERDS2TJ104
R1181	HV455100	R.CAR.FP	100 $\Omega$ 1/4W	ERDS2TJ101
R2001	HX610010	R.MTL.CHP	10K $\Omega$ 1/16W	ERJ3GEYJ103
R2003	HX610120	R.MTL.CHP	22K $\Omega$ 1/16W	ERJ3GEYJ223
R2004	HX610040	R.MTL.CHP	12K $\Omega$ 1/16W	ERJ3GEYJ123
R2005	HX610080	R.MTL.CHP	18K $\Omega$ 1/16W	ERJ3GEYJ183
R2006	AAX06490	R.MTL.CHP	8.2K $\Omega$ 1/16W	ERJ3GEYJ822
R2008	HX610190	R.MTL.CHP	47K $\Omega$ 1/16W	ERJ3GEYJ473
R2009	HX610190	R.MTL.CHP	47K $\Omega$ 1/16W	ERJ3GEYJ473
R2010	HX610190	R.MTL.CHP	47K $\Omega$ 1/16W	ERJ3GEYJ473
R2011	NX703100	R.ARRAY	47K $\Omega$ 5	EXBV4V473J
R2012	AAX06450	R.MTL.CHP	4.7K $\Omega$ 1/16W	ERJ3GEYJ472

Schm Ref.	PART NO.	Description	REMARKS
R2014	AAX06450	R.MTL.CHP 4.7K $\Omega$ 1/16W	ERJ3GEYJ472
R2016	HX610000	R.MTL.CHP 1K $\Omega$ 1/16W	ERJ3GEYJ102
R2018	AAX06150	R.ARRAY 330 $\Omega$	EXBV8V331J
R2019	HX610170	R.MTL.CHP 330 $\Omega$ 1/16W	ERJ3GEYJ331
R2020	HX610010	R.MTL.CHP 10K $\Omega$ 1/16W	ERJ3GEYJ103
R2021	HX610010	R.MTL.CHP 10K $\Omega$ 1/16W	ERJ3GEYJ103
R2022	HX610010	R.MTL.CHP 10K $\Omega$ 1/16W	ERJ3GEYJ103
R2023	HX610010	R.MTL.CHP 10K $\Omega$ 1/16W	ERJ3GEYJ103
R2024	NX703340	R.MTL.CHP 33K $\Omega$ 1/16W	ERJ3GEYJ333
R2025	HX610120	R.MTL.CHP 22K $\Omega$ 1/16W	ERJ3GEYJ223
R2026	HX609880	R.MTL.CHP 0 $\Omega$ 1/16W	ERJ3GEY0R00
R2027	HX610040	R.MTL.CHP 12K $\Omega$ 1/16W	ERJ3GEYJ123
R2028	HX610190	R.MTL.CHP 47K $\Omega$ 1/16W	ERJ3GEYJ473
R2029	HX610010	R.MTL.CHP 10K $\Omega$ 1/16W	ERJ3GEYJ103
R2030	HX610010	R.MTL.CHP 10K $\Omega$ 1/16W	ERJ3GEYJ103
R2031	AAX06390	R.MTL.CHP 68K $\Omega$ 1/16W	ERJ3GEYF683
R2032	HX610010	R.MTL.CHP 10K $\Omega$ 1/16W	ERJ3GEYJ103
R2033	HX609880	R.MTL.CHP 0 $\Omega$ 1/16W	ERJ3GEY0R00
R2034	HX610010	R.MTL.CHP 10K $\Omega$ 1/16W	ERJ3GEYJ103
R2035	NX703340	R.MTL.CHP 33K $\Omega$ 1/16W	ERJ3GEYJ333
R2036	NX703420	R.MTL.CHP 10K $\Omega$ 1/16W	ERJ3RBD103
R2037	NX703420	R.MTL.CHP 10K $\Omega$ 1/16W	ERJ3RBD103
R2038	AAX06390	R.MTL.CHP 68K $\Omega$ 1/16W	ERJ3GEYF683
R2039	AAX06380	R.MTL.CHP 3.6K $\Omega$ 1/16W	ERJ3GEYF362
R2501	HX610190	R.MTL.CHP 47K $\Omega$ 1/16W	ERJ3GEYJ473
R2502	AAX06540	R.MTL.CHP 18K $\Omega$ 1/16W	ERJ3RBD183
R2503	AAX06540	R.MTL.CHP 18K $\Omega$ 1/16W	ERJ3RBD183
R2504	HX610010	R.MTL.CHP 10K $\Omega$ 1/16W	ERJ3GEYJ103
R2505	HX610010	R.MTL.CHP 10K $\Omega$ 1/16W	ERJ3GEYJ103
R2506	HX610010	R.MTL.CHP 10K $\Omega$ 1/16W	ERJ3GEYJ103
R2507	HX610040	R.MTL.CHP 12K $\Omega$ 1/16W	ERJ3GEYJ123
R2508	HX610040	R.MTL.CHP 12K $\Omega$ 1/16W	ERJ3GEYJ123
R2509	HX610160	R.MTL.CHP 27K $\Omega$ 1/16W	ERJ3GEYJ273
R2510	HX610140	R.MTL.CHP 270 $\Omega$ 1/16W	ERJ3GEYJ271
R2511	HX610140	R.MTL.CHP 270 $\Omega$ 1/16W	ERJ3GEYJ271
R2512	HX610160	R.MTL.CHP 27K $\Omega$ 1/16W	ERJ3GEYJ273
R2513	HX610010	R.MTL.CHP 10K $\Omega$ 1/16W	ERJ3GEYJ103
R2515	NX703240	R.MTL.CHP 0.39 $\Omega$ 1/4W	ERJ14YKR39
R2516	HX610040	R.MTL.CHP 12K $\Omega$ 1/16W	ERJ3GEYJ123
R2517	HX610040	R.MTL.CHP 12K $\Omega$ 1/16W	ERJ3GEYJ123
R2518	AAX06420	R.MTL.CHP 24K $\Omega$ 1/16W	ERJ3GEYJ243
R2519	AAX06420	R.MTL.CHP 24K $\Omega$ 1/16W	ERJ3GEYJ243
R2520	AAX06610	R.MTL.CHP 5.6K $\Omega$ 1/16W	ERJ3RBD562
R2521	AAX06620	R.MTL.CHP 56K $\Omega$ 1/16W	ERJ3RBD563
R2522	HX610010	R.MTL.CHP 10K $\Omega$ 1/16W	ERJ3GEYJ103
R2523	HX610010	R.MTL.CHP 10K $\Omega$ 1/16W	ERJ3GEYJ103
R2524	HX610010	R.MTL.CHP 10K $\Omega$ 1/16W	ERJ3GEYJ103
R3001	HX610090	R.MTL.CHP 22 $\Omega$ 1/16W	ERJ3GEYJ220
R3002	HX609880	R.MTL.CHP 0 $\Omega$ 1/16W	ERJ3GEY0R00
R3003	NX703350	R.MTL.CHP 3.9K $\Omega$ 1/16W	ERJ3GEYJ392
R3005	HX610010	R.MTL.CHP 10K $\Omega$ 1/16W	ERJ3GEYJ103
R3006	HX610190	R.MTL.CHP 47K $\Omega$ 1/16W	ERJ3GEYJ473
R3008	HX610190	R.MTL.CHP 47K $\Omega$ 1/16W	ERJ3GEYJ473

Schm Ref.	PART NO.	Description	REMARKS
R3009	HX610100	R.MTL.CHP 220 $\Omega$ 1/16W	ERJ3GEYJ221
R3010	HX610100	R.MTL.CHP 220 $\Omega$ 1/16W	ERJ3GEYJ221
R3011	HX610100	R.MTL.CHP 220 $\Omega$ 1/16W	ERJ3GEYJ221
R3012	HX610100	R.MTL.CHP 220 $\Omega$ 1/16W	ERJ3GEYJ221
R3013	HX610100	R.MTL.CHP 220 $\Omega$ 1/16W	ERJ3GEYJ221
R3031	AAX06630	R.MTL.CHP 7.5K $\Omega$ 1/16W	ERJ3RBD752
R3032	AAX06480	R.MTL.CHP 680K $\Omega$ 1/16W	ERJ3GEYJ684
R3033	AAX06480	R.MTL.CHP 680K $\Omega$ 1/16W	ERJ3GEYJ684
R3035	AAX06500	R.MTL.CHP 1K $\Omega$ 1/16W	ERJ3RBD102
R3036	AAX06500	R.MTL.CHP 1K $\Omega$ 1/16W	ERJ3RBD102
R3037	AAX06500	R.MTL.CHP 1K $\Omega$ 1/16W	ERJ3RBD102
R3038	AAX06500	R.MTL.CHP 1K $\Omega$ 1/16W	ERJ3RBD102
R3039	HX610000	R.MTL.CHP 1K $\Omega$ 1/16W	ERJ3GEYJ102
R3040	HX610000	R.MTL.CHP 1K $\Omega$ 1/16W	ERJ3GEYJ102
R3201	AAX06550	R.MTL.CHP 220 $\Omega$ 1/16W	ERJ3RBD221
R3202	NX703330	R.MTL.FLM 33 $\Omega$ 1/16W	ERJ3GEYJ330
R3203	HX610000	R.MTL.CHP 1K $\Omega$ 1/16W	ERJ3GEYJ102
R3211	AAX06550	R.MTL.CHP 220 $\Omega$ 1/16W	ERJ3RBD221
R3212	NX703330	R.MTL.FLM 33 $\Omega$ 1/16W	ERJ3GEYJ330
R3213	HX610000	R.MTL.CHP 1K $\Omega$ 1/16W	ERJ3GEYJ102
R3221	AAX06550	R.MTL.CHP 220 $\Omega$ 1/16W	ERJ3RBD221
R3222	NX703330	R.MTL.FLM 33 $\Omega$ 1/16W	ERJ3GEYJ330
R3223	HX610000	R.MTL.CHP 1K $\Omega$ 1/16W	ERJ3GEYJ102
R3231	AAX06550	R.MTL.CHP 220 $\Omega$ 1/16W	ERJ3RBD221
R3232	NX703330	R.MTL.FLM 33 $\Omega$ 1/16W	ERJ3GEYJ330
R3233	HX610000	R.MTL.CHP 1K $\Omega$ 1/16W	ERJ3GEYJ102
R3241	HX610100	R.MTL.CHP 220 $\Omega$ 1/16W	ERJ3GEYJ221
R3242	NX703330	R.MTL.FLM 33 $\Omega$ 1/16W (ABG)	ERJ3GEYJ330
R3243	HX610000	R.MTL.CHP 1K $\Omega$ 1/16W (ABG)	ERJ3GEYJ102
R3251	AAX06500	R.MTL.CHP 1K $\Omega$ 1/16W	ERJ3RBD102
R3252	AAX06500	R.MTL.CHP 1K $\Omega$ 1/16W	ERJ3RBD102
R3254	HX610190	R.MTL.CHP 47K $\Omega$ 1/16W	ERJ3GEYJ473
R3255	HX609990	R.MTL.CHP 100 $\Omega$ 1/16W	ERJ3GEYJ101
R3256	HX609990	R.MTL.CHP 100 $\Omega$ 1/16W	ERJ3GEYJ101
R3257	AAX06640	R.MTL.CHP 820 $\Omega$ 1/16W	ERJ3RBD821
R3258	AAX06600	R.MTL.CHP 470 $\Omega$ 1/16W	ERJ3RBD471
R3259	HX610100	R.MTL.CHP 220 $\Omega$ 1/16W	ERJ3GEYJ221
R3301	AAX06400	R.MTL.CHP 75 $\Omega$ 1/16W	ERJ3GEYF750
R3302	NX703330	R.MTL.FLM 33 $\Omega$ 1/16W	ERJ3GEYJ330
R3303	HX610000	R.MTL.CHP 1K $\Omega$ 1/16W	ERJ3GEYJ102
R3304	AAX06580	R.MTL.CHP 3.3K $\Omega$ 1/16W	ERJ3RBD332
R3305	HX610290	R.MTL.CHP 12K $\Omega$ 1/16W	ERJ3RBD123
R3306	NX703340	R.MTL.CHP 33K $\Omega$ 1/16W	ERJ3GEYJ333
R3307	AAX06520	R.MTL.CHP 1.2K $\Omega$ 1/16W	ERJ3RBD122
R3308	AAX06650	R.MTL.CHP 8.2K $\Omega$ 1/16W	ERJ3RBD822
R3309	AAX06670	R.MTL.CHP 180K $\Omega$ 1/16W	ERJ3RED184
R3310	NX703420	R.MTL.CHP 10K $\Omega$ 1/16W	ERJ3RBD103
R3311	HX610170	R.MTL.CHP 330 $\Omega$ 1/16W	ERJ3GEYJ331
R3312	AAX06530	R.MTL.CHP 15K $\Omega$ 1/16W	ERJ3RBD153
R3313	AAX06560	R.MTL.CHP 2.7K $\Omega$ 1/16W	ERJ3RBD272
R3314	AAX06610	R.MTL.CHP 5.6K $\Omega$ 1/16W	ERJ3RBD562
R3315	AAX06660	R.MTL.CHP 120K $\Omega$ 1/16W	ERJ3RED124
R3316	AAX06680	R.MTL.CHP 390K $\Omega$ 1/16W	ERJ3RED394

Schm Ref.	PART NO.	Description	REMARKS
R3317	AA06470	R.MTL.CHP 68Ω 1/16W	ERJ3GEYJ680
R3318	NX703340	R.MTL.CHP 33KΩ 1/16W	ERJ3GEYJ333
R3319	AA06430	R.MTL.CHP 3.3KΩ 1/16W	ERJ3GEYJ332
R3321	HX610040	R.MTL.CHP 12KΩ 1/16W	ERJ3GEYJ123
R3322	HX610040	R.MTL.CHP 12KΩ 1/16W	ERJ3GEYJ123
R3323	AA06510	R.MTL.CHP 100KΩ 1/16W	ERJ3RBD104
R3324	AA06590	R.MTL.CHP 39KΩ 1/16W	ERJ3RBD393
R3325	HX610040	R.MTL.CHP 12KΩ 1/16W	ERJ3GEYJ123
R3326	HX610040	R.MTL.CHP 12KΩ 1/16W	ERJ3GEYJ123
R3327	NX703420	R.MTL.CHP 10KΩ 1/16W	ERJ3RBD103
R3328	NX703420	R.MTL.CHP 10KΩ 1/16W	ERJ3RBD103
R3329	AA06430	R.MTL.CHP 3.3KΩ 1/16W	ERJ3GEYJ332
R3333	HX610040	R.MTL.CHP 12KΩ 1/16W	ERJ3GEYJ123
R3334	HX610040	R.MTL.CHP 12KΩ 1/16W	ERJ3GEYJ123
R3501	AA07120	R.MTL.CHP 560Ω 1/10W	ERJ6GMYJ561
R3502	AA06960	R.MTL.CHP 10KΩ 1/10W	ERJ6GMYJ103
R3503	AA06940	R.MTL.CHP 100Ω 1/10W	ERJ6GMYJ101
R3504	AA07020	R.MTL.CHP 2.2KΩ 1/10W	ERJ6GMYJ222
R3505	AA07050	R.MTL.CHP 33Ω 1/10W	ERJ6GMYJ330
R3506	XX701520	R.CAR.CHP 1.8KΩ 1/10W	ERJ6GEYJ182
R3507	AA06810	R.MTL.CHP 33Ω 1/10W	ERJ6GEYJ330
R3508	AA07020	R.MTL.CHP 2.2KΩ 1/10W	ERJ6GMYJ222
R3511	AA07120	R.MTL.CHP 560Ω 1/10W	ERJ6GMYJ561
R3512	AA07040	R.MTL.CHP 2.7KΩ 1/10W	ERJ6GMYJ272
R3514	AA07030	R.MTL.CHP 22KΩ 1/10W	ERJ6GMYJ223
R3515	AA07030	R.MTL.CHP 22KΩ 1/10W	ERJ6GMYJ223
R3516	AA07020	R.MTL.CHP 2.2KΩ 1/10W	ERJ6GMYJ222
R3517	AA07050	R.MTL.CHP 33Ω 1/10W	ERJ6GMYJ330
R3518	AA07060	R.MTL.CHP 330Ω 1/10W	ERJ6GMYJ331
R3519	AA07050	R.MTL.CHP 33Ω 1/10W	ERJ6GMYJ330
R3520	AA07020	R.MTL.CHP 2.2KΩ 1/10W	ERJ6GMYJ222
R3521	AA07100	R.MTL.CHP 4.7KΩ 1/10W(BG)	ERJ6GMYJ472
R3527	AA03820	R.CHP 0Ω 1/10W(BG)	ERJ6GMZ0R00
R3531	AA06910	R.MTL.CHP 1KΩ 1/10W	ERJ6GMYG102
R3532	AA06910	R.MTL.CHP 1KΩ 1/10W	ERJ6GMYG102
R3533	HX610420	R.MTL.CHP 1KΩ 1/10W	ERJ6GEYG102
R3534	AA06920	R.MTL.CHP 470Ω 1/10W	ERJ6GMYG471
R3535	AA06960	R.MTL.CHP 10KΩ 1/10W	ERJ6GMYJ103
R3543	NX703450	R.MTL.CHP 71.5Ω 1/10W	ERJ6ENF71R5
R3544	NX703450	R.MTL.CHP 71.5Ω 1/10W	ERJ6ENF71R5
R3545	HX610340	R.MTL.CHP 75Ω 1/10W	ERJ6ENF75R0
R3546	HX610340	R.MTL.CHP 75Ω 1/10W	ERJ6ENF75R0
R3551	AA07120	R.MTL.CHP 560Ω 1/10W(BG)	ERJ6GMYJ561
R3552	AA06990	R.MTL.CHP 18KΩ 1/10W(BG)	ERJ6GMYJ183
R3553	AA07090	R.MTL.CHP 470Ω 1/10W(BG)	ERJ6GMYJ471
R3554	AA07030	R.MTL.CHP 22KΩ 1/10W(BG)	ERJ6GMYJ223
R3555	AA07060	R.MTL.CHP 330Ω 1/10W(BG)	ERJ6GMYJ331
R3561	AA07120	R.MTL.CHP 560Ω 1/10W(UCBG)	ERJ6GMYJ561
R3562	AA06990	R.MTL.CHP 18KΩ 1/10W(UCBG)	ERJ6GMYJ183
R3563	AA07090	R.MTL.CHP 470Ω 1/10W(UCBG)	ERJ6GMYJ471
R3564	AA07030	R.MTL.CHP 22KΩ 1/10W(UCBG)	ERJ6GMYJ223
R3565	AA07060	R.MTL.CHP 330Ω 1/10W(UCBG)	ERJ6GMYJ331
R3571	AA07120	R.MTL.CHP 560Ω 1/10W(UCBG)	ERJ6GMYJ561

Schm Ref.	PART NO.	Description	REMARKS
R3572	AA06990	R.MTL.CHP 18KΩ 1/10W(UCBG)	ERJ6GMYJ183
R3573	AA07090	R.MTL.CHP 470Ω 1/10W(UCBG)	ERJ6GMYJ471
R3574	AA07030	R.MTL.CHP 22KΩ 1/10W(UCBG)	ERJ6GMYJ223
R3575	AA07060	R.MTL.CHP 330Ω 1/10W(UCBG)	ERJ6GMYJ331
R3591	NX703450	R.MTL.CHP 71.5Ω 1/10W(UC)	ERJ6ENF71R5
R3592	HX610340	R.MTL.CHP 75Ω 1/10W(UC)	ERJ6ENF75R0
R3593	HX610340	R.MTL.CHP 75Ω 1/10W(UC)	ERJ6ENF75R0
R3601	AA06730	R.MTL.CHP 470Ω 1/10W	ERJ6ENF4700
R3602	NX703440	R.MTL.CHP 11KΩ 1/10W	ERJ6ENF1102
R3603	NX703460	R.MTL.CHP 8.2KΩ 1/10W	ERJ6ENF8201
R3604	AA06690	R.MTL.CHP 1KΩ 1/10W	ERJ6ENF1001
R3605	AA06730	R.MTL.CHP 470Ω 1/10W	ERJ6ENF4700
R3606	AA06710	R.MTL.CHP 22Ω 1/10W	ERJ6ENF22R0
R3607	AA07020	R.MTL.CHP 2.2KΩ 1/10W	ERJ6GMYJ222
R3608	AA06720	R.MTL.CHP 3.9KΩ 1/10W	ERJ6ENF3901
R3609	AA06700	R.MTL.CHP 220Ω 1/10W	ERJ6ENF2200
R3610	AA06960	R.MTL.CHP 10KΩ 1/10W	ERJ6GMYJ103
R3611	AA06960	R.MTL.CHP 10KΩ 1/10W	ERJ6GMYJ103
R3612	XX701450	R.CAR.CHP 1KΩ 1/10W	ERJ6GEYJ102
R3811	AA06770	R.MTL.CHP 150Ω 1/10W(BG)	ERJ6GEYJ151
R3812	AA06770	R.MTL.CHP 150Ω 1/10W(BG)	ERJ6GEYJ151
R3813	AA06770	R.MTL.CHP 150Ω 1/10W(BG)	ERJ6GEYJ151
R3814	AA06770	R.MTL.CHP 150Ω 1/10W(BG)	ERJ6GEYJ151
R3821	HX610350	R.MTL.CHP 0Ω 1/10W(BG)	ERJ6GEY0R00
R3823	HX610350	R.MTL.CHP 0Ω 1/10W(BG)	ERJ6GEY0R00
R3825	HX610350	R.MTL.CHP 0Ω 1/10W(BG)	ERJ6GEY0R00
R3827	AA06770	R.MTL.CHP 150Ω 1/10W(BG)	ERJ6GEYJ151
R3828	AA06770	R.MTL.CHP 150Ω 1/10W(BG)	ERJ6GEYJ151
R3841	AA06740	R.MTL.CHP 33KΩ 1/10W(BG)	ERJ6GEYJ333
R3842	NX703520	R.MTL.CHP 5.6KΩ 1/10W(BG)	ERJ6GEYJ562
R3843	AA06740	R.MTL.CHP 33KΩ 1/10W(BG)	ERJ6GEYJ333
R3844	NX703520	R.MTL.CHP 5.6KΩ 1/10W(BG)	ERJ6GEYJ562
R3845	AA06740	R.MTL.CHP 33KΩ 1/10W(BG)	ERJ6GEYJ333
R3846	NX703520	R.MTL.CHP 5.6KΩ 1/10W(BG)	ERJ6GEYJ562
R3847	AA06850	R.MTL.CHP 4.7KΩ 1/10W(BG)	ERJ6GEYJ472
R3848	AA06850	R.MTL.CHP 4.7KΩ 1/10W(BG)	ERJ6GEYJ472
R3849	AA06850	R.MTL.CHP 4.7KΩ 1/10W(BG)	ERJ6GEYJ472
R3850	AA06850	R.MTL.CHP 4.7KΩ 1/10W(BG)	ERJ6GEYJ472
R3851	AA06830	R.MTL.CHP 3.3KΩ 1/10W(BG)	ERJ6GEYJ332
R3852	AA06860	R.MTL.CHP 5.6KΩ 1/10W(BG)	ERJ6GEYJ562
R3853	AA06830	R.MTL.CHP 3.3KΩ 1/10W(BG)	ERJ6GEYJ332
R3854	AA06830	R.MTL.CHP 3.3KΩ 1/10W(BG)	ERJ6GEYJ332
R3855	AA06830	R.MTL.CHP 3.3KΩ 1/10W(BG)	ERJ6GEYJ332
R3856	AA06830	R.MTL.CHP 3.3KΩ 1/10W(BG)	ERJ6GEYJ332
R3857	AA06870	R.MTL.CHP 68Ω 1/10W(BG)	ERJ6GEYJ680
R3858	AA06850	R.MTL.CHP 4.7KΩ 1/10W(BG)	ERJ6GEYJ472
R3859	AA06850	R.MTL.CHP 4.7KΩ 1/10W(BG)	ERJ6GEYJ472
R3860	AA06830	R.MTL.CHP 3.3KΩ 1/10W(BG)	ERJ6GEYJ332
R3861	XX701520	R.CAR.CHP 1.8KΩ 1/10W(BG)	ERJ6GEYJ182
R3862	AA06860	R.MTL.CHP 5.6KΩ 1/10W(BG)	ERJ6GEYJ562
R3863	AA06830	R.MTL.CHP 3.3KΩ 1/10W(BG)	ERJ6GEYJ332
R3864	AA06830	R.MTL.CHP 3.3KΩ 1/10W(BG)	ERJ6GEYJ332
R3865	AA06860	R.MTL.CHP 5.6KΩ 1/10W(BG)	ERJ6GEYJ562



Schm Ref.	PART NO.	Description	REMARKS
R3866	AAX06850	R.MTL.CHP 4.7KΩ 1/10W(BG)	ERJ6GEYJ472
R3867	AAX06860	R.MTL.CHP 5.6KΩ 1/10W(BG)	ERJ6GEYJ562
R3868	AAX06830	R.MTL.CHP 3.3KΩ 1/10W(BG)	ERJ6GEYJ332
R3869	NX703570	R.MTL.CHP 470Ω 1/10W(BG)	ERJ6GEYJ471
R3871	AAX06900	R.MTL.CHP 820Ω 1/10W(BG)	ERJ6GEYJ821
R3872	XX701440	R.CAR.CHP 100Ω 1/10W(BG)	ERJ6GEYJ101
R3874	AAX06900	R.MTL.CHP 820Ω 1/10W(BG)	ERJ6GEYJ821
R3875	XX701440	R.CAR.CHP 100Ω 1/10W(BG)	ERJ6GEYJ101
R3876	HX610340	R.MTL.CHP 75Ω 1/10W(BG)	ERJ6ENF75R0
R3877	HX610340	R.MTL.CHP 75Ω 1/10W(BG)	ERJ6ENF75R0
R3878	HX610340	R.MTL.CHP 75Ω 1/10W(BG)	ERJ6ENF75R0
R3879	HX610340	R.MTL.CHP 75Ω 1/10W(BG)	ERJ6ENF75R0
R3880	HX610340	R.MTL.CHP 75Ω 1/10W(BG)	ERJ6ENF75R0
R3882	XX701440	R.CAR.CHP 100Ω 1/10W(BG)	ERJ6GEYJ101
R3883	XX701440	R.CAR.CHP 100Ω 1/10W(BG)	ERJ6GEYJ101
R3885	XX701440	R.CAR.CHP 100Ω 1/10W(BG)	ERJ6GEYJ101
R3886	XX701440	R.CAR.CHP 100Ω 1/10W(BG)	ERJ6GEYJ101
R3887	HX610350	R.MTL.CHP 0Ω 1/10W(BG)	ERJ6GEY0R00
R3888	AAX06880	R.MTL.CHP 75Ω 1/10W(BG)	ERJ6GEYJ750
R3889	HX610350	R.MTL.CHP 0Ω 1/10W(BG)	ERJ6GEY0R00
R3890	AAX06880	R.MTL.CHP 75Ω 1/10W(BG)	ERJ6GEYJ750
R3891	HX610350	R.MTL.CHP 0Ω 1/10W(BG)	ERJ6GEY0R00
R3892	AAX06880	R.MTL.CHP 75Ω 1/10W(BG)	ERJ6GEYJ750
R3893	HX610340	R.MTL.CHP 75Ω 1/10W(BG)	ERJ6ENF75R0
R3894	HX610340	R.MTL.CHP 75Ω 1/10W(BG)	ERJ6ENF75R0
R4231	AAX07020	R.MTL.CHP 2.2KΩ 1/10W	ERJ6GMYJ222
R4232	AAX07100	R.MTL.CHP 4.7KΩ 1/10W	ERJ6GMYJ472
R4233	AAX07100	R.MTL.CHP 4.7KΩ 1/10W	ERJ6GMYJ472
R4241	HX610050	R.MTL.CHP 150Ω 1/16W	ERJ3GEYJ151
R4251	AAX07100	R.MTL.CHP 4.7KΩ 1/10W(BG)	ERJ6GMYJ472
R4252	AAX07100	R.MTL.CHP 4.7KΩ 1/10W(BG)	ERJ6GMYJ472
R4271	XX701530	R.CAR.CHP 220Ω 1/10W(BG)	ERJ6GEYJ221
R4272	AAX07010	R.MTL.CHP 220Ω 1/10W	ERJ6GMYJ221
R4273	AAX07010	R.MTL.CHP 220Ω 1/10W	ERJ6GMYJ221
R4274	AAX07010	R.MTL.CHP 220Ω 1/10W	ERJ6GMYJ221
R4275	AAX07010	R.MTL.CHP 220Ω 1/10W	ERJ6GMYJ221
R4276	AAX06770	R.MTL.CHP 150Ω 1/10W	ERJ6GEYJ151
R4281	AAX06820	R.MTL.CHP 330Ω 1/10W	ERJ6GEYJ331
R4282	AAX07060	R.MTL.CHP 330Ω 1/10W	ERJ6GMYJ331
R4283	AAX07060	R.MTL.CHP 330Ω 1/10W	ERJ6GMYJ331
R4301	AAX06940	R.MTL.CHP 100Ω 1/10W	ERJ6GMYJ101
R4302	HX610630	R.MTL.CHP 10KΩ 1/10W	ERJ6RBD103
R4303	HX610640	R.MTL.CHP 20KΩ 1/10W	ERJ6RBD203
R4311	AAX06940	R.MTL.CHP 100Ω 1/10W	ERJ6GMYJ101
R4312	HX610630	R.MTL.CHP 10KΩ 1/10W	ERJ6RBD103
R4313	HX610640	R.MTL.CHP 20KΩ 1/10W	ERJ6RBD203
R4321	AAX07150	R.MTL.CHP 750Ω 1/10W	ERJ6GMYJ751
R4322	AAX07150	R.MTL.CHP 750Ω 1/10W	ERJ6GMYJ751
R4323	AAX06950	R.MTL.CHP 1KΩ 1/10W	ERJ6GMYJ102
R4331	AAX07150	R.MTL.CHP 750Ω 1/10W	ERJ6GMYJ751
R4332	AAX07150	R.MTL.CHP 750Ω 1/10W	ERJ6GMYJ751
R4333	AAX06950	R.MTL.CHP 1KΩ 1/10W	ERJ6GMYJ102
R4341	AAX06940	R.MTL.CHP 100Ω 1/10W	ERJ6GMYJ101

Schm Ref.	PART NO.	Description	REMARKS
R4342	AAX06970	R.MTL.CHP 100KΩ 1/10W	ERJ6GMYJ104
R4343	AAX07160	R.MTL.CHP 7.5KΩ 1/10W	ERJ6GMYJ752
R4344	AAX06960	R.MTL.CHP 10KΩ 1/10W	ERJ6GMYJ103
R4345	AAX07160	R.MTL.CHP 7.5KΩ 1/10W	ERJ6GMYJ752
R4351	AAX06940	R.MTL.CHP 100Ω 1/10W	ERJ6GMYJ101
R4352	AAX06970	R.MTL.CHP 100KΩ 1/10W	ERJ6GMYJ104
R4353	AAX07160	R.MTL.CHP 7.5KΩ 1/10W	ERJ6GMYJ752
R4354	AAX06960	R.MTL.CHP 10KΩ 1/10W	ERJ6GMYJ103
R4355	AAX07160	R.MTL.CHP 7.5KΩ 1/10W	ERJ6GMYJ752
R4361	AAX06940	R.MTL.CHP 100Ω 1/10W	ERJ6GMYJ101
R4362	AAX06970	R.MTL.CHP 100KΩ 1/10W	ERJ6GMYJ104
R4363	AAX06890	R.MTL.CHP 7.5KΩ 1/10W	ERJ6GEYJ752
R4364	AAX06960	R.MTL.CHP 10KΩ 1/10W	ERJ6GMYJ103
R4365	AAX07160	R.MTL.CHP 7.5KΩ 1/10W	ERJ6GMYJ752
R4371	AAX06940	R.MTL.CHP 100Ω 1/10W	ERJ6GMYJ101
R4372	AAX06970	R.MTL.CHP 100KΩ 1/10W	ERJ6GMYJ104
R4373	AAX07160	R.MTL.CHP 7.5KΩ 1/10W	ERJ6GMYJ752
R4374	AAX06960	R.MTL.CHP 10KΩ 1/10W	ERJ6GMYJ103
R4375	AAX07160	R.MTL.CHP 7.5KΩ 1/10W	ERJ6GMYJ752
R4401	AAX07020	R.MTL.CHP 2.2KΩ 1/10W	ERJ6GMYJ222
R4402	NX703590	R.MTL.CHP 27KΩ 1/10W	ERJ6RBD273
R4403	NX703580	R.MTL.CHP 100KΩ 1/10W	ERJ6RBD104
R4404	XX701550	R.CAR.CHP 47KΩ 1/10W	ERJ6GEYJ473
R4411	AAX07020	R.MTL.CHP 2.2KΩ 1/10W	ERJ6GMYJ222
R4412	NX703590	R.MTL.CHP 27KΩ 1/10W	ERJ6RBD273
R4413	NX703580	R.MTL.CHP 100KΩ 1/10W	ERJ6RBD104
R4414	AAX07110	R.MTL.CHP 47KΩ 1/10W	ERJ6GMYJ473
R4421	AAX07020	R.MTL.CHP 2.2KΩ 1/10W	ERJ6GMYJ222
R4422	NX703590	R.MTL.CHP 27KΩ 1/10W	ERJ6RBD273
R4423	NX703580	R.MTL.CHP 100KΩ 1/10W	ERJ6RBD104
R4424	XX701550	R.CAR.CHP 47KΩ 1/10W	ERJ6GEYJ473
R4431	AAX07020	R.MTL.CHP 2.2KΩ 1/10W	ERJ6GMYJ222
R4432	NX703590	R.MTL.CHP 27KΩ 1/10W	ERJ6RBD273
R4433	NX703600	R.MTL.CHP 180KΩ 1/10W	ERJ6RED184
R4434	AAX07110	R.MTL.CHP 47KΩ 1/10W	ERJ6GMYJ473
R4441	AAX07130	R.MTL.CHP 5.6KΩ 1/10W	ERJ6GMYJ562
R4442	AAX07130	R.MTL.CHP 5.6KΩ 1/10W	ERJ6GMYJ562
R4443	AAX07080	R.MTL.CHP 3.3KΩ 1/10W	ERJ6GMYJ392
R4444	AAX07080	R.MTL.CHP 3.3KΩ 1/10W	ERJ6GMYJ392
R4445	AAX07130	R.MTL.CHP 5.6KΩ 1/10W	ERJ6GMYJ562
R4446	AAX07080	R.MTL.CHP 3.3KΩ 1/10W	ERJ6GMYJ392
R4447	AAX07130	R.MTL.CHP 5.6KΩ 1/10W	ERJ6GMYJ562
R4448	AAX07110	R.MTL.CHP 47KΩ 1/10W	ERJ6GMYJ473
R4449	AAX07110	R.MTL.CHP 47KΩ 1/10W	ERJ6GMYJ473
R4451	AAX07130	R.MTL.CHP 5.6KΩ 1/10W	ERJ6GMYJ562
R4452	AAX07080	R.MTL.CHP 3.3KΩ 1/10W	ERJ6GMYJ392
R4453	AAX07080	R.MTL.CHP 3.3KΩ 1/10W	ERJ6GMYJ392
R4454	AAX07130	R.MTL.CHP 5.6KΩ 1/10W	ERJ6GMYJ562
R4455	AAX07080	R.MTL.CHP 3.3KΩ 1/10W	ERJ6GMYJ392
R4456	AAX07130	R.MTL.CHP 5.6KΩ 1/10W	ERJ6GMYJ562
R4457	AAX07130	R.MTL.CHP 5.6KΩ 1/10W	ERJ6GMYJ562
R4458	AAX07110	R.MTL.CHP 47KΩ 1/10W	ERJ6GMYJ473
R4459	AAX07110	R.MTL.CHP 47KΩ 1/10W	ERJ6GMYJ473

Schm Ref.	PART NO.	Description	REMARKS
R4501	AAX07170	R.MTL.CHP 820Ω 1/10W	ERJ6GMYJ821
R4502	AAX07010	R.MTL.CHP 220Ω 1/10W	ERJ6GMYJ221
R4503	AAX07170	R.MTL.CHP 820Ω 1/10W	ERJ6GMYJ821
R4508	AAX07170	R.MTL.CHP 820Ω 1/10W(BG)	ERJ6GMYJ821
R4509	AAX07170	R.MTL.CHP 820Ω 1/10W(BG)	ERJ6GMYJ821
R4511	AAX07170	R.MTL.CHP 820Ω 1/10W	ERJ6GMYJ821
R4512	AAX07010	R.MTL.CHP 220Ω 1/10W	ERJ6GMYJ221
R4513	AAX07170	R.MTL.CHP 820Ω 1/10W	ERJ6GMYJ821
R4518	AAX07170	R.MTL.CHP 820Ω 1/10W(BG)	ERJ6GMYJ821
R4519	AAX06900	R.MTL.CHP 820Ω 1/10W(BG)	ERJ6GEYJ821
R4521	AAX07170	R.MTL.CHP 820Ω 1/10W	ERJ6GMYJ821
R4522	AAX07010	R.MTL.CHP 220Ω 1/10W	ERJ6GMYJ221
R4523	AAX07170	R.MTL.CHP 820Ω 1/10W	ERJ6GMYJ821
R4531	AAX07170	R.MTL.CHP 820Ω 1/10W	ERJ6GMYJ821
R4532	AAX07010	R.MTL.CHP 220Ω 1/10W	ERJ6GMYJ221
R4533	AAX07170	R.MTL.CHP 820Ω 1/10W	ERJ6GMYJ821
R4541	AAX07170	R.MTL.CHP 820Ω 1/10W	ERJ6GMYJ821
R4542	AAX07010	R.MTL.CHP 220Ω 1/10W	ERJ6GMYJ221
R4543	AAX07170	R.MTL.CHP 820Ω 1/10W	ERJ6GMYJ821
R4551	AAX07170	R.MTL.CHP 820Ω 1/10W	ERJ6GMYJ821
R4552	AAX07010	R.MTL.CHP 220Ω 1/10W	ERJ6GMYJ221
R4553	AAX06900	R.MTL.CHP 820Ω 1/10W	ERJ6GEYJ821
R4561	AAX07170	R.MTL.CHP 820Ω 1/10W	ERJ6GMYJ821
R4562	AAX07010	R.MTL.CHP 220Ω 1/10W	ERJ6GMYJ221
R4563	AAX06900	R.MTL.CHP 820Ω 1/10W	ERJ6GEYJ821
R4571	AAX07170	R.MTL.CHP 820Ω 1/10W	ERJ6GMYJ821
R4572	AAX07010	R.MTL.CHP 220Ω 1/10W	ERJ6GMYJ221
R4573	AAX07170	R.MTL.CHP 820Ω 1/10W	ERJ6GMYJ821
R4591	AAX06800	R.MTL.CHP 22KΩ 1/10W	ERJ6GEYJ223
R4592	AAX07070	R.MTL.CHP 33KΩ 1/10W	ERJ6GMYJ333
R4593	AAX06820	R.MTL.CHP 330Ω 1/10W	ERJ6GEYJ331
R4594	AAX06750	R.MTL.CHP 10KΩ 1/10W	ERJ6GEYJ103
R4595	AAX07200	R.MTL.CHP 1KΩ 1/8W	ERJ8GEYJ102
R4596	AAX06800	R.MTL.CHP 22KΩ 1/10W	ERJ6GEYJ223
R4597	XX701530	R.CAR.CHP 220Ω 1/10W	ERJ6GEYJ221
R4598	AAX06800	R.MTL.CHP 22KΩ 1/10W	ERJ6GEYJ223
R4599	AAX06960	R.MTL.CHP 10KΩ 1/10W	ERJ6GMYJ103
R4721	NX703570	R.MTL.CHP 470Ω 1/10W	ERJ6GEYJ471
R4722	NX703570	R.MTL.CHP 470Ω 1/10W	ERJ6GEYJ471
R4723	AAX06900	R.MTL.CHP 820Ω 1/10W	ERJ6GEYJ821
R4724	AAX06900	R.MTL.CHP 820Ω 1/10W	ERJ6GEYJ821
R4731	AAX07210	R.MTL.CHP 47Ω 1/8W	ERJ8GEYJ470
R4732	AAX07210	R.MTL.CHP 47Ω 1/8W	ERJ8GEYJ470
R4733	AAX06790	R.MTL.CHP 15KΩ 1/10W	ERJ6GEYJ153
R4734	AAX06790	R.MTL.CHP 15KΩ 1/10W	ERJ6GEYJ153
R4735	AAX06760	R.MTL.CHP 12KΩ 1/10W	ERJ6GEYJ123
R4736	AAX06760	R.MTL.CHP 12KΩ 1/10W	ERJ6GEYJ123
R4737	XX701450	R.CAR.CHP 1KΩ 1/10W	ERJ6GEYJ102
R4738	XX701450	R.CAR.CHP 1KΩ 1/10W	ERJ6GEYJ102
R4761	AAX07000	R.MTL.CHP 22Ω 1/10W	ERJ6GMYJ220
R4771	AAX07140	R.MTL.CHP 75Ω 1/10W	ERJ6GMYJ750
R4901	AAX07190	R.MTL.CHP 8.2KΩ 1/10W	ERJ6RBD822
R4902	AAX07180	R.MTL.CHP 1.5KΩ 1/10W	ERJ6RBD152

Schm Ref.	PART NO.	Description	REMARKS
R4903	AAX07070	R.MTL.CHP 33KΩ 1/10W	ERJ6GMYJ333
R4911	AAX07190	R.MTL.CHP 8.2KΩ 1/10W	ERJ6RBD822
R4912	AAX07060	R.MTL.CHP 330Ω 1/10W	ERJ6GMYJ331
R4913	AAX06960	R.MTL.CHP 10KΩ 1/10W	ERJ6GMYJ103
R4914	AAX07120	R.MTL.CHP 560Ω 1/10W	ERJ6GMYJ561
R4915	AAX06980	R.MTL.CHP 1MΩ 1/10W	ERJ6GMYJ105
R4916	AAX07120	R.MTL.CHP 560Ω 1/10W	ERJ6GMYJ561
R4917	AAX06980	R.MTL.CHP 1MΩ 1/10W	ERJ6GMYJ105
R5201	AAX07260	R.MTL 27Ω 1/2W	ERJ12YJ270
R5202	NX703320	R.MTL.CHP 2.2Ω 1/16W	ERJ3GEYJ2R2
R5203	HX610120	R.MTL.CHP 22KΩ 1/16W	ERJ3GEYJ223
R5205	HX610010	R.MTL.CHP 10KΩ 1/16W	ERJ3GEYJ103
R5206	HX610010	R.MTL.CHP 10KΩ 1/16W	ERJ3GEYJ103
R5208	HX610250	R.MTL.CHP 82KΩ 1/16W	ERJ3GEYJ823
R5209	HX610040	R.MTL.CHP 12KΩ 1/16W	ERJ3GEYJ123
R5210	HX610150	R.MTL.CHP 2.7KΩ 1/16W	ERJ3GEYJ272
R5211	AAX06440	R.MTL.CHP 39KΩ 1/16W	ERJ3GEYJ393
R5212	AAX06360	R.MTL.CHP 12KΩ 1/16W	ERJ3GEYF123
R5213	AAX06440	R.MTL.CHP 39KΩ 1/16W	ERJ3GEYJ393
R5214	HX610120	R.MTL.CHP 22KΩ 1/16W	ERJ3GEYJ223
R5215	AAX06490	R.MTL.CHP 8.2KΩ 1/16W	ERJ3GEYJ822
R5216	HX610080	R.MTL.CHP 18KΩ 1/16W	ERJ3GEYJ183
R5217	HX610120	R.MTL.CHP 22KΩ 1/16W	ERJ3GEYJ223
R5218	HX610010	R.MTL.CHP 10KΩ 1/16W	ERJ3GEYJ103
R5219	HX610060	R.MTL.CHP 15KΩ 1/16W	ERJ3GEYJ153
R5220	HX610200	R.MTL.CHP 470KΩ 1/16W	ERJ3GEYJ474
R5221	HX610200	R.MTL.CHP 470KΩ 1/16W	ERJ3GEYJ474
R5222	AAX06370	R.MTL.CHP 3.3KΩ 1/16W	ERJ3GEYF332
R5223	NX703390	R.MTL.CHP 7.5KΩ 1/16W	ERJ3GEYJ752
R5224	HX610070	R.MTL.CHP 150KΩ 1/16W	ERJ3GEYJ154
R5225	AAX06460	R.MTL.CHP 560KΩ 1/16W	ERJ3GEYJ564
R5226	AAX06410	R.MTL.CHP 1.5MΩ 1/16W	ERJ3GEYJ155
R6003	AAX07110	R.MTL.CHP 47KΩ 1/10W	ERJ6GMYJ473
R6004	AAX07110	R.MTL.CHP 47KΩ 1/10W	ERJ6GMYJ473
R6005	AAX07110	R.MTL.CHP 47KΩ 1/10W	ERJ6GMYJ473
R6006	AAX07110	R.MTL.CHP 47KΩ 1/10W	ERJ6GMYJ473
R6007	AAX07110	R.MTL.CHP 47KΩ 1/10W	ERJ6GMYJ473
R6008	AAX07110	R.MTL.CHP 47KΩ 1/10W	ERJ6GMYJ473
R6009	AAX07110	R.MTL.CHP 47KΩ 1/10W	ERJ6GMYJ473
R6010	AAX07110	R.MTL.CHP 47KΩ 1/10W	ERJ6GMYJ473
R6011	AAX07110	R.MTL.CHP 47KΩ 1/10W	ERJ6GMYJ473
R6015	AAX07110	R.MTL.CHP 47KΩ 1/10W	ERJ6GMYJ473
R6019	XX701530	R.CAR.CHP 220Ω 1/10W	ERJ6GEYJ221
R6023	AAX07010	R.MTL.CHP 220Ω 1/10W	ERJ6GMYJ221
R6024	HX610350	R.MTL.CHP 0Ω 1/10W(A)	ERJ6GEY0R00
R6029	AAX06970	R.MTL.CHP 100KΩ 1/10W	ERJ6GMYJ104
R6030	AAX06970	R.MTL.CHP 100KΩ 1/10W	ERJ6GMYJ104
R6031	AAX06970	R.MTL.CHP 100KΩ 1/10W	ERJ6GMYJ104
R6032	XX701460	R.CAR.CHP 100KΩ 1/10W	ERJ6GEYJ104
R6033	XX701460	R.CAR.CHP 100KΩ 1/10W	ERJ6GEYJ104
R6036	AAX07010	R.MTL.CHP 220Ω 1/10W(ABG)	ERJ6GMYJ221
R6037	AAX06960	R.MTL.CHP 10KΩ 1/10W	ERJ6GMYJ103
R6038	AAX06960	R.MTL.CHP 10KΩ 1/10W	ERJ6GMYJ103

Schm Ref.	PART NO.	Description	REMARKS
R6039	AA06960	R.MTL.CHP 10KΩ 1/10W(UCBG)	ERJ6GMYJ103
R6041	AA06960	R.MTL.CHP 10KΩ 1/10W	ERJ6GMYJ103
R6042	AA06960	R.MTL.CHP 10KΩ 1/10W	ERJ6GMYJ103
R6043	AA06960	R.MTL.CHP 10KΩ 1/10W	ERJ6GMYJ103
R6044	AA07170	R.MTL.CHP 820Ω 1/10W	ERJ6GMYJ821
R6045	HX610350	R.MTL.CHP 0Ω 1/10W	ERJ6GEY0R00
R6046	HX610350	R.MTL.CHP 0Ω 1/10W	ERJ6GEY0R00
R6047	AA03820	R.CHP 0Ω 1/10W	ERJ6GMZ0R00
R6049	AA07170	R.MTL.CHP 820Ω 1/10W	ERJ6GMYJ821
R6050	AA03820	R.CHP 0Ω 1/10W	ERJ6GMZ0R00
R6052	AA07170	R.MTL.CHP 820Ω 1/10W	ERJ6GMYJ821
R6053	AA06950	R.MTL.CHP 1KΩ 1/10W	ERJ6GMYJ102
R6064	AA07110	R.MTL.CHP 47KΩ 1/10W(UCBG)	ERJ6GMYJ473
R6201	HX610010	R.MTL.CHP 10KΩ 1/16W	ERJ3GEYJ103
R6202	HX610190	R.MTL.CHP 47KΩ 1/16W	ERJ3GEYJ473
R6203	HX610190	R.MTL.CHP 47KΩ 1/16W	ERJ3GEYJ473
R6204	HX610190	R.MTL.CHP 47KΩ 1/16W	ERJ3GEYJ473
R6205	HX610110	R.MTL.CHP 2.2KΩ 1/16W	ERJ3GEYJ222
R6206	HX610190	R.MTL.CHP 47KΩ 1/16W	ERJ3GEYJ473
R6207	HX610190	R.MTL.CHP 47KΩ 1/16W	ERJ3GEYJ473
R6208	HX610190	R.MTL.CHP 47KΩ 1/16W	ERJ3GEYJ473
R6210	HX610010	R.MTL.CHP 10KΩ 1/16W	ERJ3GEYJ103
R6301	HX610010	R.MTL.CHP 10KΩ 1/16W	ERJ3GEYJ103
R6302	AA06450	R.MTL.CHP 4.7KΩ 1/16W	ERJ3GEYJ472
R6303	AA06450	R.MTL.CHP 4.7KΩ 1/16W	ERJ3GEYJ472
R6401	XX701450	R.CAR.CHP 1KΩ 1/10W	ERJ6GEYJ102
R6402	XX701480	R.CAR.CHP 1.2KΩ 1/10W	ERJ6GEYJ122
R6403	AA06780	R.MTL.CHP 1.5KΩ 1/10W	ERJ6GEYJ152
R6404	XX701520	R.CAR.CHP 1.8KΩ 1/10W	ERJ6GEYJ182
R6405	XX701450	R.CAR.CHP 1KΩ 1/10W	ERJ6GEYJ102
R6541	HX610120	R.MTL.CHP 22KΩ 1/16W	ERJ3GEYJ223
R6542	NX703300	R.MTL.CHP 1MΩ 1/16W	ERJ3GEYJ105
R6544	AA06550	R.MTL.CHP 220Ω 1/16W	ERJ3RBD221
R6561	HX610120	R.MTL.CHP 22KΩ 1/16W	ERJ3GEYJ223
R6562	NX703300	R.MTL.CHP 1MΩ 1/16W	ERJ3GEYJ105
R6564	AA06550	R.MTL.CHP 220Ω 1/16W	ERJ3RBD221
R6581	NX703300	R.MTL.CHP 1MΩ 1/16W	ERJ3GEYJ105
R6582	AA06570	R.MTL.CHP 330Ω 1/16W	ERJ3RBD331
R6601	NX703280	R.MTL.CHP 47KΩ 1/16W	ERJ3GEYG473
R6602	HX610060	R.MTL.CHP 15KΩ 1/16W	ERJ3GEYJ153
R6603	NX703270	R.MTL.CHP 22KΩ 1/16W	ERJ3GEYG223
R6604	NX703340	R.MTL.CHP 33KΩ 1/16W	ERJ3GEYJ333
R7001	HX610000	R.MTL.CHP 1KΩ 1/16W	ERJ3GEYJ102
R7002	HX610000	R.MTL.CHP 1KΩ 1/16W	ERJ3GEYJ102
R7003	HX610190	R.MTL.CHP 47KΩ 1/16W	ERJ3GEYJ473
R7006	HX610190	R.MTL.CHP 47KΩ 1/16W	ERJ3GEYJ473
RA2501	NX703070	R.ARRAY 10KΩ	EXBV4V103J
RA2502	NX703070	R.ARRAY 10KΩ	EXBV4V103J
RA3001	NX703110	R.ARRAY 47KΩ	EXBV8V473J
RA3002	NX703100	R.ARRAY 47KΩ	EXBV4V473J
RA3251	NX704230	R.ARRAY 470Ω	EXBV8V471J
RA3252	NX704230	R.ARRAY 470Ω	EXBV8V471J
RA3253	NX703100	R.ARRAY 47KΩ	EXBV4V473J

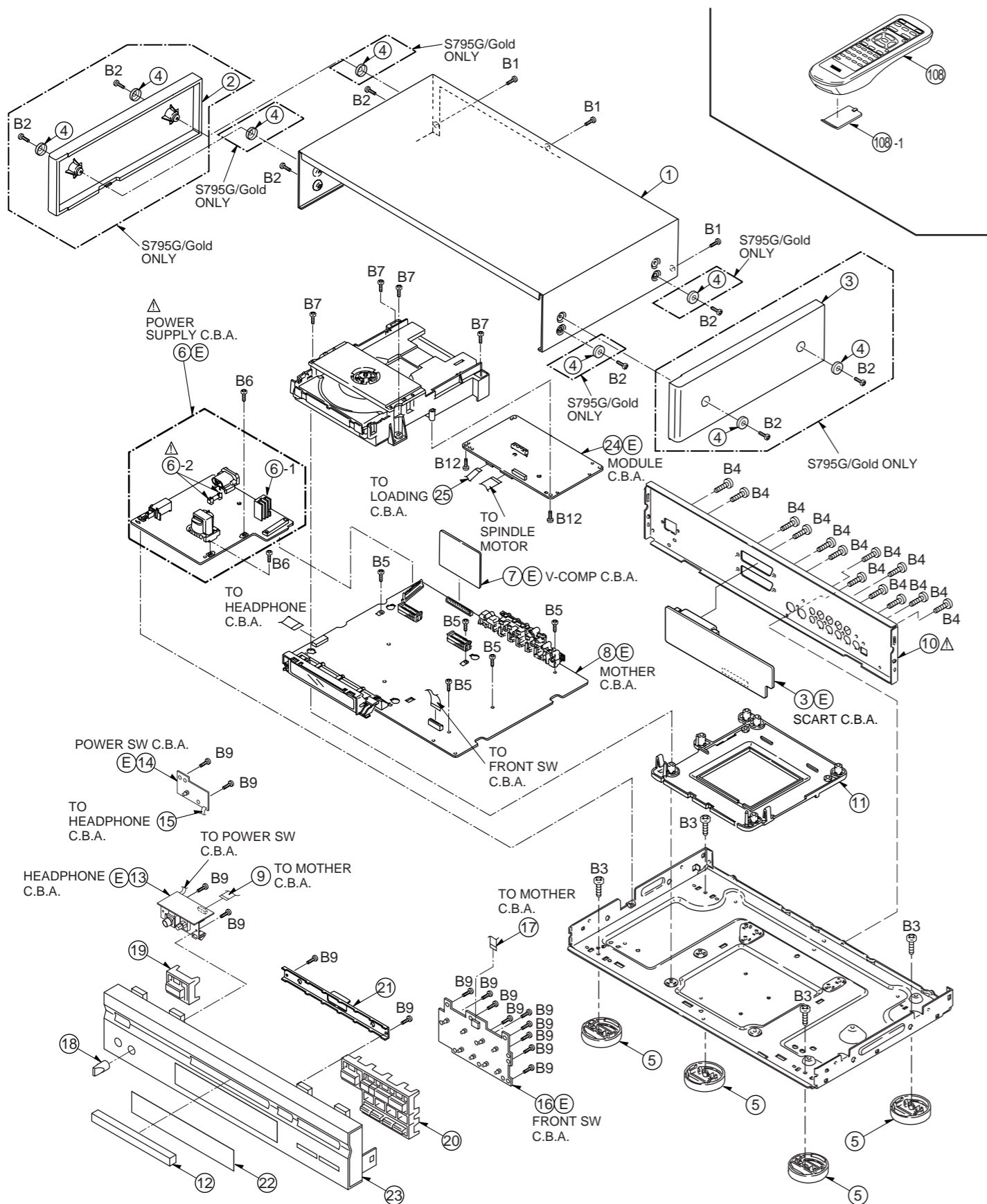
Schm Ref.	PART NO.	Description	REMARKS
RA6201	NX703070	R.ARRAY 10KΩ	EXBV4V103J
RA6203	NX703100	R.ARRAY 47KΩ	EXBV4V473J
RA6204	NX703100	R.ARRAY 47KΩ	EXBV4V473J
RA6205	NX703100	R.ARRAY 47KΩ	EXBV4V473J
RA6206	NX703100	R.ARRAY 47KΩ	EXBV4V473J
RA7001	NX703110	R.ARRAY 47KΩ	EXBV8V473J
RA7002	NX703110	R.ARRAY 47KΩ	EXBV8V473J
S6401	KX604670	SW	EVQ11G07K
S6402	KX604670	SW	EVQ11G07K
S6403	KX604670	SW	EVQ11G07K
S6404	KX604670	SW	EVQ11G07K
S6405	KX604670	SW	EVQ11G07K
S6406	KX604670	SW	EVQ11G07K
S6407	KX604670	SW	EVQ11G07K
S6408	KX604670	SW	EVQ11G07K
S6410	KX604670	SW	EVQ11G07K
T1021	AA05850	TRANS (UC)	ETE28K119AZ
T1021	NX703200	TRNS.PWR ETS29AD4H6AC (ABG)	ETS29AD4H6AC
T4761	NX702900	TRANS VLQ0790	VLQ0790
VR3201	NX703140	VR VRV0293B102T	VRV0293B102T
VR3501	AA06330	VR.TRIM	EVNCYAA03B13
VR3511	AA06330	VR.TRIM	EVNCYAA03B13
VR4721	AA06200	VR	EVJCAEF01A14
W077	AA04160	DIODE AK04WS	AK04WS
W101	HX610350	R.MTL.CHP 0Ω 1/10W	ERJ6GEY0R00
W102	HX610350	R.MTL.CHP 0Ω 1/10W	ERJ6GEY0R00
W801	HX610350	R.MTL.CHP 0Ω 1/10W	ERJ6GEY0R00
W802	AA03820	R.CHP 0Ω 1/10W	ERJ6GMZ0R00
W803	AA03820	R.CHP 0Ω 1/10W	ERJ6GMZ0R00
W804	AA03820	R.CHP 0Ω 1/10W	ERJ6GMZ0R00
W805	AA03820	R.CHP 0Ω 1/10W	ERJ6GMZ0R00
W806	AA03820	R.CHP 0Ω 1/10W	ERJ6GMZ0R00
W807	AA03820	R.CHP 0Ω 1/10W	ERJ6GMZ0R00
W808	AA03820	R.CHP 0Ω 1/10W	ERJ6GMZ0R00
W809	AA03820	R.CHP 0Ω 1/10W	ERJ6GMZ0R00
W810	HX610350	R.MTL.CHP 0Ω 1/10W	ERJ6GEY0R00
W811	AA03820	R.CHP 0Ω 1/10W	ERJ6GMZ0R00
W812	AA03820	R.CHP 0Ω 1/10W	ERJ6GMZ0R00
W813	AA03820	R.CHP 0Ω 1/10W	ERJ6GMZ0R00
W814	AA03820	R.CHP 0Ω 1/10W	ERJ6GMZ0R00
W815	AA03820	R.CHP 0Ω 1/10W	ERJ6GMZ0R00
W816	AA03820	R.CHP 0Ω 1/10W	ERJ6GMZ0R00
W817	AA03820	R.CHP 0Ω 1/10W	ERJ6GMZ0R00
W818	AA03820	R.CHP 0Ω 1/10W	ERJ6GMZ0R00
W819	AA03820	R.CHP 0Ω 1/10W	ERJ6GMZ0R00
W820	AA03820	R.CHP 0Ω 1/10W	ERJ6GMZ0R00
W821	AA03820	R.CHP 0Ω 1/10W	ERJ6GMZ0R00
W822	HX610350	R.MTL.CHP 0Ω 1/10W	ERJ6GEY0R00
W823	AA03820	R.CHP 0Ω 1/10W	ERJ6GMZ0R00
W825	AA03820	R.CHP 0Ω 1/10W	ERJ6GMZ0R00
W826	AA03820	R.CHP 0Ω 1/10W	ERJ6GMZ0R00
W827	AA03820	R.CHP 0Ω 1/10W	ERJ6GMZ0R00
W828	AA03820	R.CHP 0Ω 1/10W	ERJ6GMZ0R00

Schm Ref.	PART NO.	Description	REMARKS
W829	AA03820	R.CHP 0Ω 1/10W	ERJ6GMZ0R00
W830	AA03820	R.CHP 0Ω 1/10W	ERJ6GMZ0R00
W831	AA03820	R.CHP 0Ω 1/10W	ERJ6GMZ0R00
W832	HX610350	R.MTL.CHP 0Ω 1/10W	ERJ6GEY0R00
W833	AA03820	R.CHP 0Ω 1/10W	ERJ6GMZ0R00
W834	HX610350	R.MTL.CHP 0Ω 1/10W	ERJ6GEY0R00
W835	AA03820	R.CHP 0Ω 1/10W	ERJ6GMZ0R00
W836	AA03820	R.CHP 0Ω 1/10W	ERJ6GMZ0R00
W837	AA03820	R.CHP 0Ω 1/10W	ERJ6GMZ0R00
W838	AA03820	R.CHP 0Ω 1/10W	ERJ6GMZ0R00
W841	AA03820	R.CHP 0Ω 1/10W	ERJ6GMZ0R00
W842	AA03820	R.CHP 0Ω 1/10W	ERJ6GMZ0R00
W843	AA03820	R.CHP 0Ω 1/10W	ERJ6GMZ0R00
W844	AA03820	R.CHP 0Ω 1/10W	ERJ6GMZ0R00
W845	AA03820	R.CHP 0Ω 1/10W	ERJ6GMZ0R00
W846	AA03820	R.CHP 0Ω 1/10W	ERJ6GMZ0R00
W847	HX610350	R.MTL.CHP 0Ω 1/10W	ERJ6GEY0R00
W850	HX610350	R.MTL.CHP 0Ω 1/10W	ERJ6GEY0R00
W851	HX610350	R.MTL.CHP 0Ω 1/10W	ERJ6GEY0R00
W852	AA03820	R.CHP 0Ω 1/10W	ERJ6GMZ0R00
W853	AA03820	R.CHP 0Ω 1/10W	ERJ6GMZ0R00
W854	AA03820	R.CHP 0Ω 1/10W	ERJ6GMZ0R00
W855	AA03820	R.CHP 0Ω 1/10W	ERJ6GMZ0R00
W856	AA03820	R.CHP 0Ω 1/10W	ERJ6GMZ0R00
W857	AA03820	R.CHP 0Ω 1/10W	ERJ6GMZ0R00
W858	AA03820	R.CHP 0Ω 1/10W	ERJ6GMZ0R00
W859	AA03820	R.CHP 0Ω 1/10W	ERJ6GMZ0R00
W860	AA03820	R.CHP 0Ω 1/10W	ERJ6GMZ0R00
W861	AA03820	R.CHP 0Ω 1/10W	ERJ6GMZ0R00
W863	AA03820	R.CHP 0Ω 1/10W	ERJ6GMZ0R00
W864	HX610350	R.MTL.CHP 0Ω 1/10W	ERJ6GEY0R00
W865	AA03820	R.CHP 0Ω 1/10W	ERJ6GMZ0R00
W866	HX610350	R.MTL.CHP 0Ω 1/10W	ERJ6GEY0R00
X6001	QX600940	RSNR.CRYS	EF0EC8004A4
X6501	AA04680	RSNR	VSX1044
X6502	AA04690	RSNR	VSX1045
X6503	NX703170	RSNR.CRYS VSX0944	VSX0944
ZA1001	AX624190	HOLDER.FUS	EYF52BC
ZA1002	AX624190	HOLDER.FUS	EYF52BC
ZA1111	NX701970	GND.MTL VJR0978	VJR0978
ZA1112	NX701970	GND.MTL VJR0978	VJR0978
ZA1113	NX701970	GND.MTL VJR0978	VJR0978
ZA1121	AA06340	HEATSNK (UC)	VSC4759
ZA3501	NX701970	GND.MTL VJR0978	VJR0978
ZA3871	AA05100	PLATE.GND (BG)	VMC1450
ZA3881	AA05100	PLATE.GND (BG)	VMC1450
ZA4201	NX701970	GND.MTL VJR0978	VJR0978
ZA4751	NX701970	GND.MTL VJR0978	VJR0978
ZA4752	AA03730		VMC1446
ZA6001	NX701970	GND.MTL VJR0978	VJR0978
	AA03340	CODE 9P(UCBG)	VWJ1299
	AA03360	HOLDER.FL (UCBG)	VYQ1654
	AA03800	TERM.GND (UCB)	VMC1240

Schm Ref.	PART NO.	Description	REMARKS
	AA04110	METAL.JACK (UCBG)	VMA0B39
	AA04490	FLTR VKW2626	
	AA05090	PLATE.GND (G)	VMA1240
	AA05970	CN.FLAT (B)	VWJ06A0130BB
	AA05980	CN.FLAT (UC)	VWJ1317

## 2. Casing Parts & Mechanism Section

### 2-1. Casing Parts & Mechanism Section Exploded View



### 2-2. Casing Parts & Mechanism Section Parts List

FIG. NO.	PARTNO.	Description	Remarks	Mats	
* 1	AAX04620	TOP COVER	GD	VGM1572	
* 1	AAX06210	TOP COVER	BL	VGM1591	
* 1	AAX06220	TOP COVER	TI	VGM1592	
* 2	V4053300	SIDE WOOD PANEL ASS'Y	L+R GD	GD	
* 3	AAX06040	P.C.B. ASS'Y	SCART	VEP93319A	(BG)
* 4	AAX04080	SIDE WOOD CAP	GD	VGO5307	
* 5	AAX04150	LEG	GD	VYK5504	
* 5	CX680310	LEG	BL, TI	VYK7764	
Δ * 6	AAX06310	P.C.B. ASS'Y	POWER	VEP91238A	(UC)
Δ * 6	AAX06320	P.C.B. ASS'Y	POWER	VEP91239A	(ABG)
* 6-1	AAX06340	HEAT SINK		VSC4759	
Δ * 6-2	AX624190	FUSE HOLDER		EYF52BC	
* 7	AAX01210	P.C.B. ASS'Y	COMPONENT VIDEO	VEP93318A	(UC)
* 8	AAX06100	P.C.B. ASS'Y	MOTHER	VEP99133L	(UC)
* 8	AAX06110	P.C.B. ASS'Y	MOTHER	VEP99133M	(BG)
* 8	AAX06120	P.C.B. ASS'Y	MOTHER	VEP99133N	(A)
* 9	AAX03340	CODE	9P	VWJ1299	
Δ * 10	AAX06160	REAR PANEL	DVD-S795	VMA0B53	
Δ * 10	AAX06170	REAR PANEL	DVD-S705	VMA0B54	
Δ * 10	AAX06180	REAR PANEL		VMA0B55	
Δ * 10	AAX06190	REAR PANEL		VMA0B56	
* 11	AAX04550	SPACER, MECH.		VMD3305	
* 12	AAX04310	TRAY TOP	DVD-S795 GD	VYF2581	
* 12	AAX05860	TRAY TOP	DVD-S795 BL	VYF2608	
* 12	AAX05870	TRAY TOP	DVD-S705	VYF2609	
* 12	AAX05880	TRAY TOP	DVD-S795 TI	VYF2610	
* 13	AAX01220	P.C.B. ASS'Y	HEAD PHONES	VEP94335A	
* 14	AAX01190	P.C.B. ASS'Y	POWER SWITCH	VEP96552A	
* 15	AAX05960	CONNECTOR, FLAT CABLE	VWJ03D5100VV	CN.FLAT	
* 16	AAX01230	P.C.B. ASS'Y	FRONT SWITCH	VEP96553A	
* 17	AAX05970	CONNECTOR, FLAT CABLE		VWJ06A0130BB	(UC)
* 17	AAX05980	CONNECTOR, FLAT CABLE		VWJ1317	(ABG)
* 18	AAX04540	KNOB, VOLUME	GD	VGU8107	(G)
* 18	AAX06050	KNOB, VOLUME	BL	VGU8147	
* 18	AAX06060	KNOB, VOLUME	TI	VGU8149	(G)
* 19	AAX04720	BUTTON, OPERATION	L DVD-S795 GD	VGU8090	(G)
* 19	AAX06230	BUTTON, OPERATION	L DVD-S795 BL	VGU8141	
* 19	AAX06240	BUTTON, OPERATION	L DVD-S705	VGU8142	
* 19	AAX06250	BUTTON, OPERATION	L DVD-S795 TI	VGU8143	(G)
* 20	AAX04730	BUTTON, OPERATION	R DVD-S795 GD	VGU8091	(G)
* 20	AAX06260	BUTTON, OPERATION	R DVD-S795 BL	VGU8144	
* 20	AAX06270	BUTTON, OPERATION	R DVD-S705	VGU8145	
* 20	AAX06280	BUTTON, OPERATION	R DVD-S795 TI	VGU8146	(G)
* 21	AAX04520	FRONT ANGLE		VMA0A98	
* 22	AAX04670	ORNAMENT PLATE		VKW2611	
* 23	AAX05990	FRONT PANEL	DVD-S795	VYP7225	(UC)
* 23	AAX06000	FRONT PANEL	DVD-S705	VYP7226	
* 23	AAX06010	FRONT PANEL	DVD-S795 BL	VYP7227	(ABG)
* 23	AAX06020	FRONT PANEL	DVD-S795 GD	VYP7228	(G)
* 23	AAX06030	FRONT PANEL	DVD-S795 TI	VYP7229	(G)
* 24	AAX06130	P.C.B. ASS'Y	MODULE	VEP96541H	(ABG)
* 24	AAX06140	P.C.B. ASS'Y	MODULE	VEP96541J	(UC)
* 25	AAX04570	FLAT CABLE, LOADING		VWJ1278	

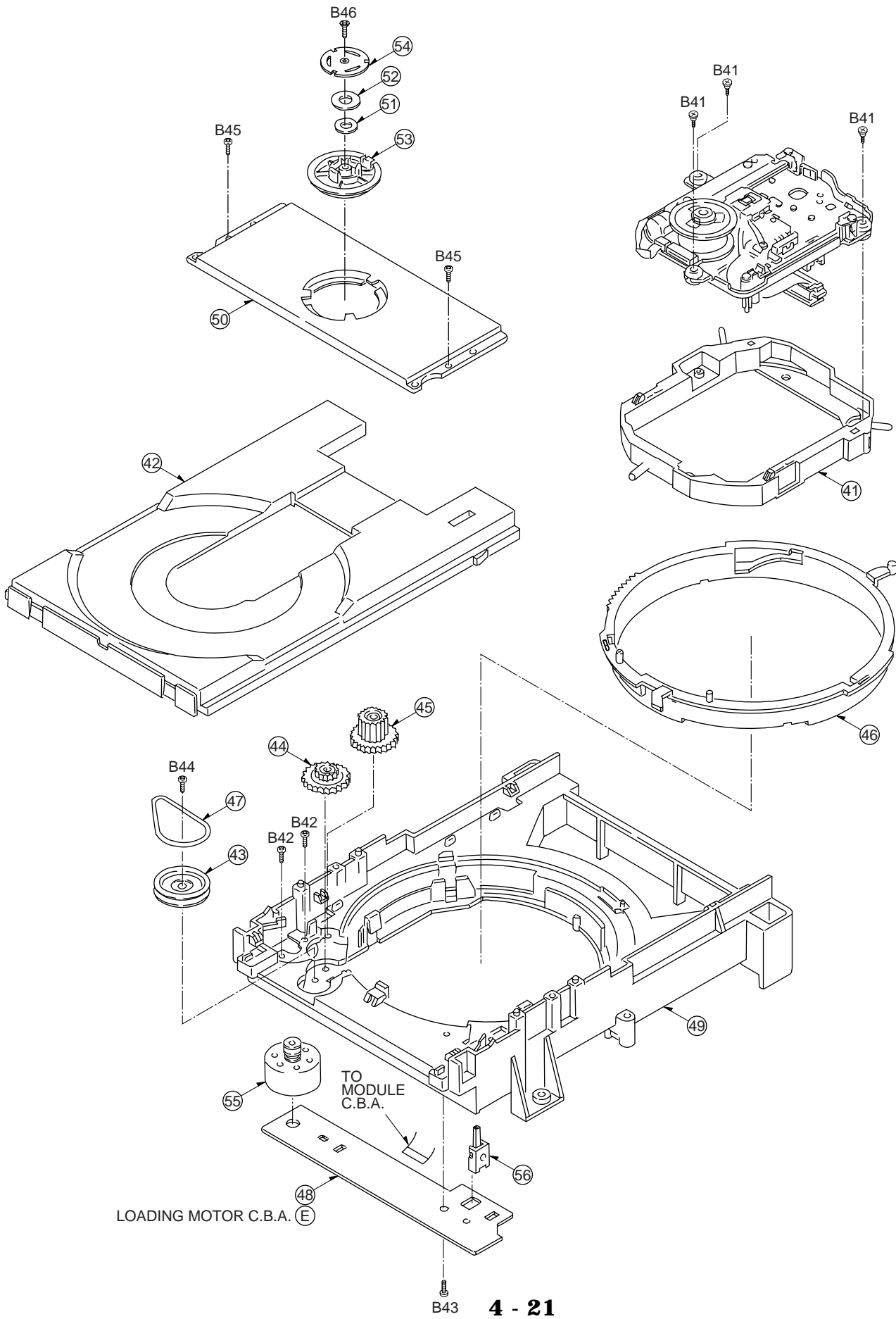
\* New Parts

Ref. No.	PART NO.	Description	Remarks	Markets
* 26	AAX05110	GROUND WIRE	VEE0G61	(UC)
* B 1	EX603920	SCREW	VHD0690	
* B 2	EX603940	SCREW	VHD1041	
* B 2	EX603960	SCREW	VHD1094	
* B 3	AAX04390	SCREW	XTV3+8G	
* B 4	EX603920	SCREW	VHD0690	
* B 5	AAX04420	SCREW	XYE3+EF12	
* B 6	AAX04430	SCREW	XYE3+EF20	
* B 7	AAX04440	SCREW	XYE3+EF25	
* B 8	AAX04370	SCREW	VHD1258	
* B 9	EX604040	SCREW	XTV3+10G	
* B12	EX604040	SCREW	XTV3+10G	
* 108	NX703130	ACCESSORIES REMOTE CONTROL UNIT	VEQ2101	
# 108-1	AAX04760	LID (Limited supply part)	UR51EC810	
△ *	AAX06290	POWER CORD	VJA0940	(B)
△ *	AAX06300	POWER CORD	VJA1095	(UC)
△ *	MX605250	POWER CORD	VJA0664	(G)
△ *	NX704290	POWER CORD	VJA0754	(A)
*	AAX03350	AV CABLE	VJA1062	

\* New Parts

### 3. Loading Mechanism Section

#### 3-1. Loading Mechanism Section Exploded View



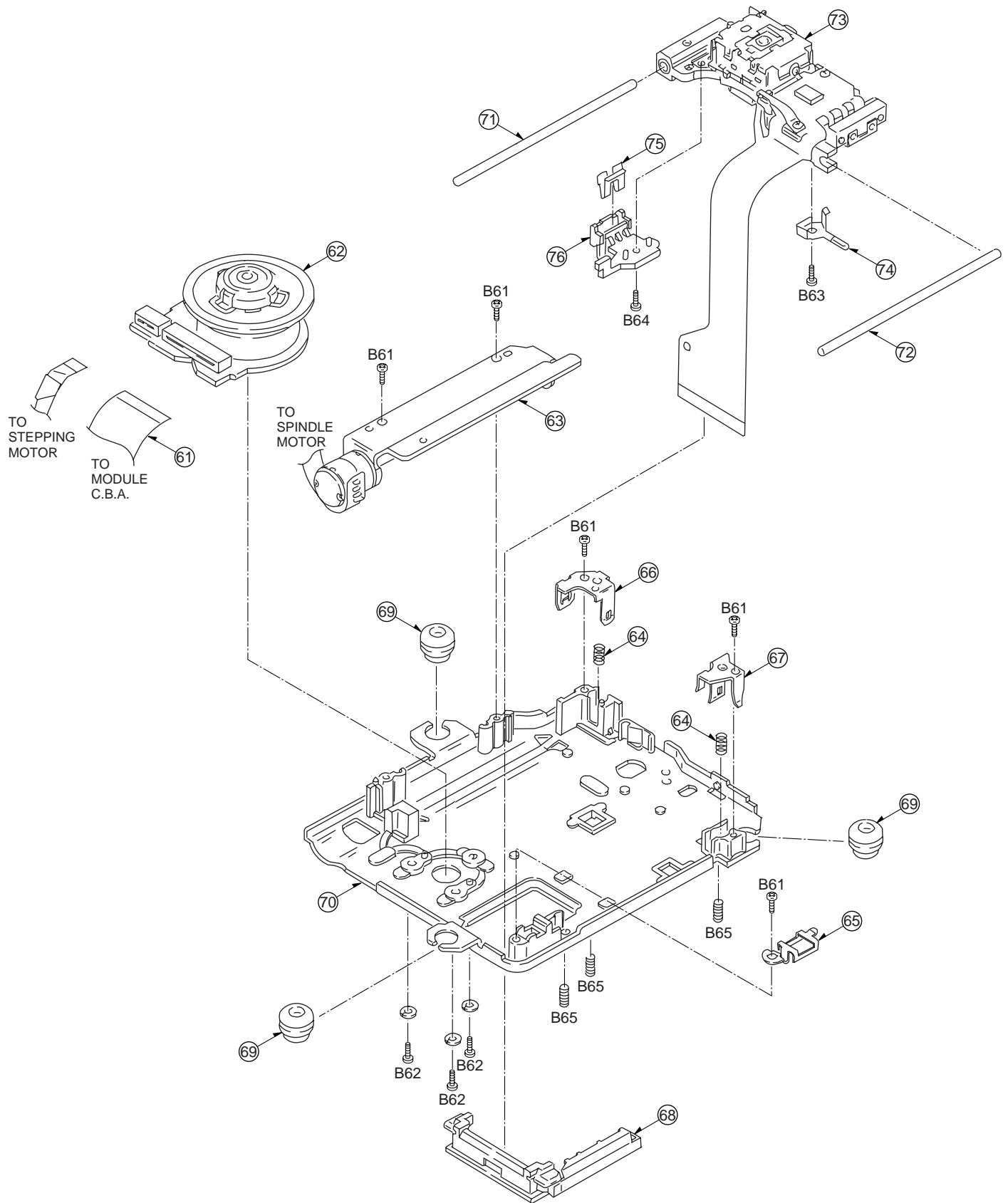
### 3-2. Loading Mechanism Section Parts List

Ref. No.	PART NO.	Description	Remarks	Markets
* 41	AAX04750	MIDDLE CHASSIS	VMD3270	
* 42	AAX04300	TRAY	VMD3265	
* 43	AAX04530	PULLEY GEAR	VDG1308	
* 44	AAX04640	REDUCTION GEAR	VDG1309	
* 45	AAX04630	GEAR, DRIVE	VDG1310	
* 46	AAX04660	CAM, UP-DOWN	VDK0156	
* 47	CX680240	BELT	VDV0373	
* 48	AAX01240	P.C.B. ASS'Y	VEP90407A	
* 49	AAX04580	BASE, LOADING	VMD3266	
* 50	AAX03790	CLAMP BASE	VMD3263	
* 51	AAX04650	MAGNET	JSM0048	
* 52	CX680160	CLAMPER BACK YOKE	VMA9535	
* 53	AAX03770	CLAMPER	VMD3264	
* 54	AAX03780	CLAMPER WEIGHT	VMA0B93	
* 55	AAX01250	MOTOR, LOADING	VEM0664	
* 56	AAX03330	SWITCH	VSH0170	
* B41	AAX04340	SCREW	VHD1223	
* B42	EX603980	SCREW	XQNQC17+3	
* B43	EX604040	SCREW	XTV3+10G	
* B44	AAX04400	SCREW	XTW2+12T	
* B45	EX604040	SCREW	XTV3+10G	
* B46	AAX04380	SCREW	XTS3+6J	

\* New Parts

# 4. Traverse Section

## 4-1. Traverse Section Exploded View



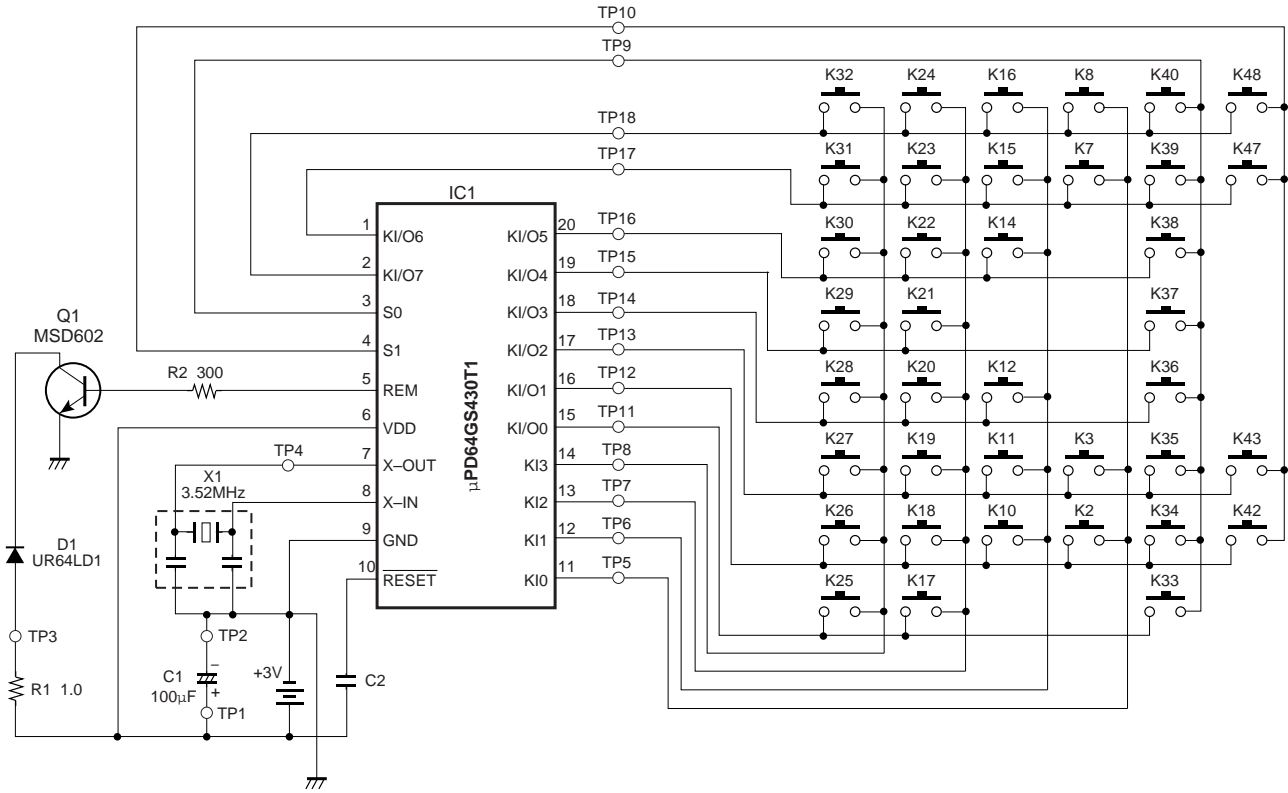


## 4-2. Traverse Section Parts List

Ref. No.	PART NO.	Description	Remarks	Markets
* 61	AAX04130	FFC, SPINDLE	VWJ1277	
* 62	AAX04140	MOTOR, SPIDLE	VEM0665	
* 63	AAX04120	MOTOR, STEPPING	VEM0666	
* 64	AAX03740	SPRING	VMB3278	
* 65	AAX04770	SPRING	VMC1487	
* 66	AAX04450	HOLDER, SPRING	VMC1488	1
* 67	AAX04460	HOLDER, SPRING	VMC1489	2
* 68	AAX03370	HOLDER, FPC	VMD3261	
* 69	AAX04500	FLOATING RUBBER	VMG1166	
* 70	AAX04260	TRAVERSE CHASSIS	VMK0474	
* 71	AAX03750	GUIDE SHAFT	VMS6471	1
* 72	AAX03760	GUIDE SHAFT	VMS6472	2
* 73	AAX03180	OPTICAL PICKUP HEAD	VED0402	
* 74	AAX04780	SPRING	VMC1491	
* 75	AAX04330	NUT SPRING	VMC1490	
* 76	AAX04320	NUT	VMD3260	
* B61	AAX04350	SCREW	VHD1224	
* B62	AAX04360	SCREW	VHD1225	
* B63	EX603950	SCREW	VHD1057	
* B64	EX603980	SCREW	XQNQC17+3	
* B65	AAX04410	SCREW	XXE26C6FN	

\* New Parts

# 5. Remote Control Transmitter



KASEIKYOU FORMAT (A.E.H.A) 36.7kHz/ 1/2DUTY

Key No.	FUNCTION	CUSTOM CODE	DATA CODE
2	AUDIO	00	33
3	PLAY	00	0A
7	◀	00	87
8	STOP	00	00
10	MARKER	00	8E
11	SLOW/SERCH▶▶	00	05
12	2	00	11
14	SET UP	00	94
15	SKIP▶▶	00	4A
16	SKIP◀◀	00	49
17	10	00	89
18		00	86
19	▷	00	88
20	20	00	19
21	CLEAR	00	83
22	A-B REPEAT	00	48
23	STILL/PAUSE	00	06
24	TITLE	00	9B
25	9	00	18
26	SELECT	00	82
27	ANGLE	00	90
28	8	00	17
29	7	00	16
30	REPEAT	00	8C
31		00	85
32	ON SCREEN	00	92
33	6	00	15
34	3	00	12
35	MENU	00	80
36	5	00	14
37	4	00	13
38	PLAY MODE	00	8D
39	SLOW/SERCH◀◀	00	04
40	SUBTITLE	00	91
42	1	00	10
43	RETURN	00	81
47	OPEN/CLOSE	00	01
48	POWER	00	3D

SYSTEM CODE : B (Hex)

